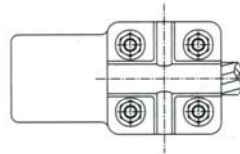


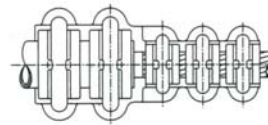
AUBC

Pag. K1



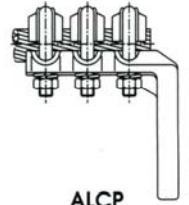
ADXP

Pag. K2



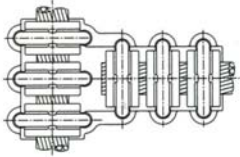
ARBC

Pag. K2



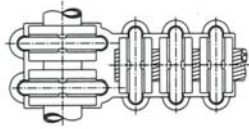
ALCP

Pag. K3



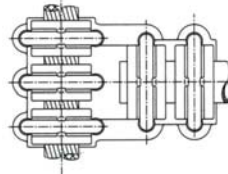
ADCC

Pag. K4



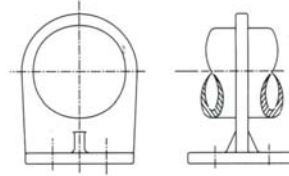
ADBC

Pag. K5



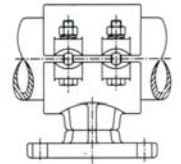
ADCB

Pag. K5



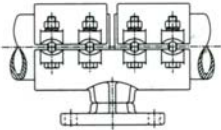
ASPD

Pag. K6



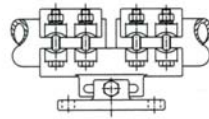
APB

Pag. K6



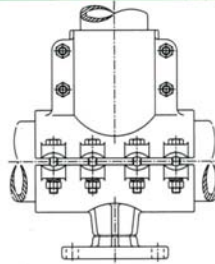
APEB

Pag. K7



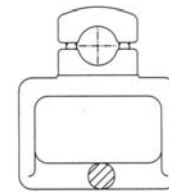
APEBD

Pag. K7



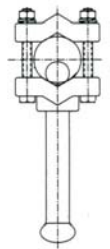
APEBV

Pag. K7



APFE

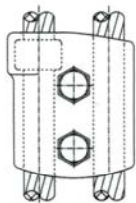
Pag. K8



APFP

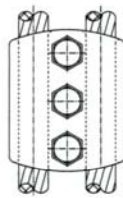
Pag. K8

GRAPAS Y CABLES EN PARALELO / PARALLEL CLAMPS AND CABLES / PINCES ET CABLES EN PARALLELE



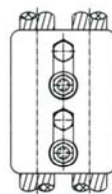
MU2

Pag. L1



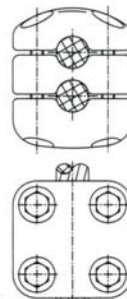
MU3

Pag. L1



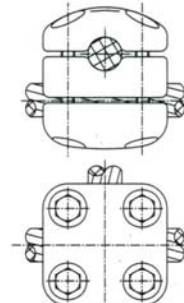
MGU

Pag. L1



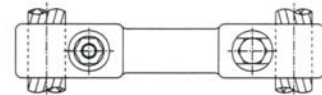
MG

Pag. L2



MGX

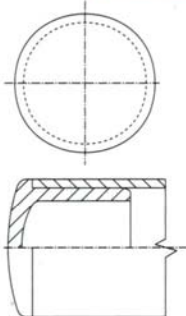
Pag. L2



MU

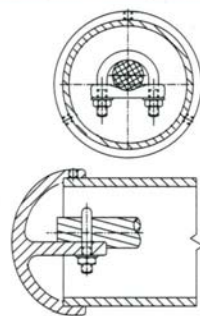
Pag. L3

TAPONES PARA TUBO / TUBE END CAPS / BOUCHONS DE TUBE



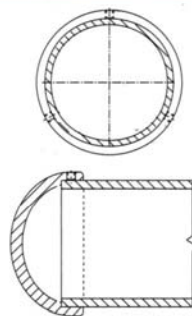
AT

Pag. M1



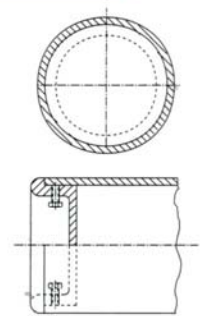
ATC

Pag. M1



ATPG

Pag. M2

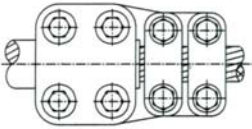


ATP

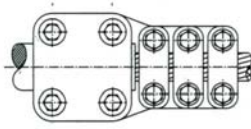
Pag. M2



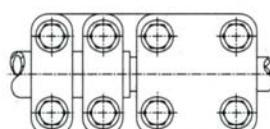
CONECTORES RECTOS / STRAIGHT CONNECTORS / RACCORDS DROITS



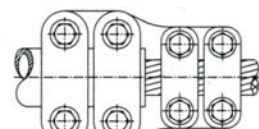
**MRBCT**  
Pag. N1



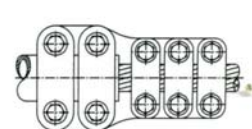
**MRBTC3**  
Pag. N2



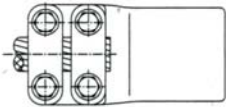
**MRBBT**  
Pag. N3



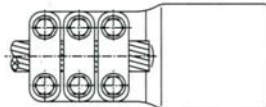
**MRBC**  
Pag. N4



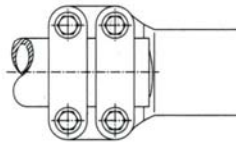
**MRBC3**  
Pag. N5



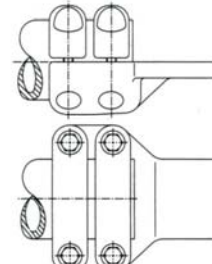
**MRCP**  
Pag. N6



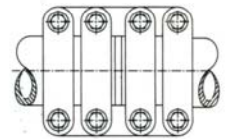
**MRCP3**  
Pag. N7



**MRBP**  
Pag. N8

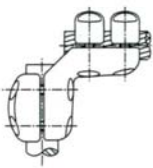


**MRBPE**  
Pag. N9

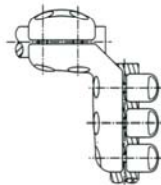


**MRBB**  
Pag. N9

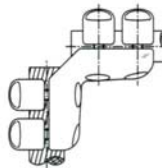
CONECTORES ACODADOS / BEND CONNECTORS / RACCORDS COUDES



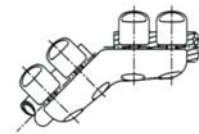
**MLBCT**  
Pag. O1



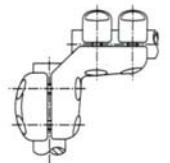
**MLBTC3**  
Pag. O1



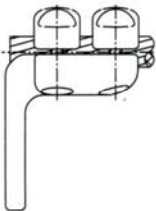
**MLBC**  
Pag. O2



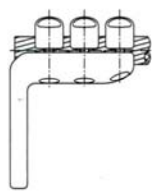
**MLBC45°**  
Pag. O2



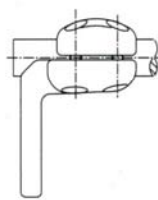
**MLBBT**  
Pag. O3



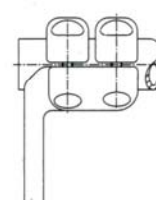
**MLCP**  
Pag. O4



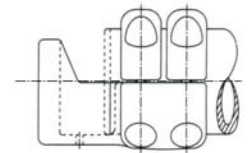
**MLC3P**  
Pag. O5



**MLBTP**  
Pag. O5



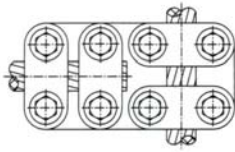
**MLBP**  
Pag. O6



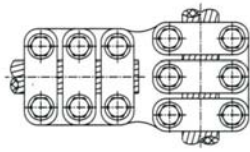
**MLBPC**  
Pag. O6



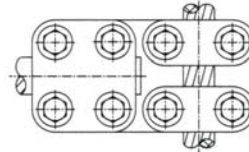
DERIVACIÓN EN T PARA CABLES / T CONNECTOR FOR CABLES / RACCORD EN T POUR CABLES



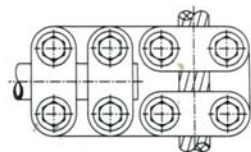
**MDCC**  
Pag. P1



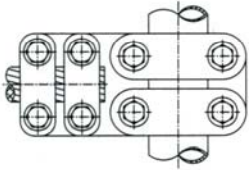
**MDCC3**  
Pag. P2



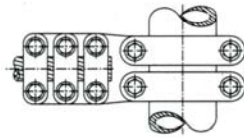
**MDCBT**  
Pag. P2



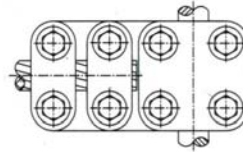
**MDCB**  
Pag. P3



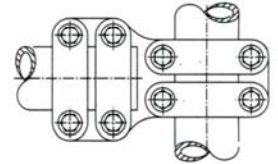
**MDBC**  
Pag. P4



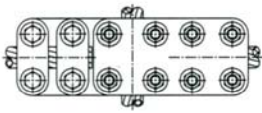
**MDBC3**  
Pag. P5



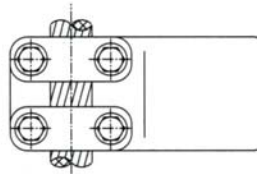
**MDBCT**  
Pag. P5



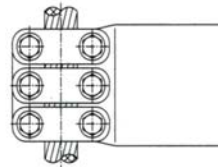
**MDBB**  
Pag. P6



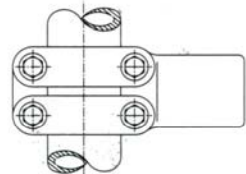
**MDCCC**  
Pag. P6



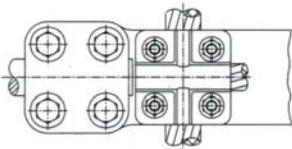
**MDCP**  
Pag. P7



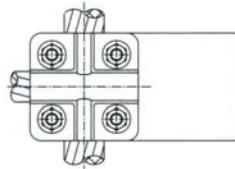
**MDC3P**  
Pag. P8



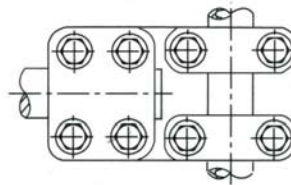
**MDBP**  
Pag. P8



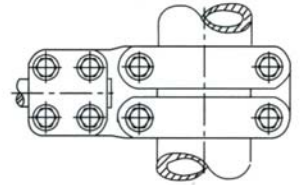
**MXCB**  
Pag. P9



**MXCP**  
Pag. P9

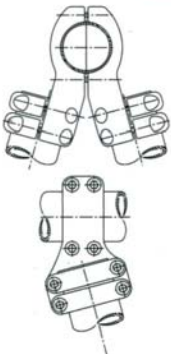


**MDBBT**  
Pag. P10

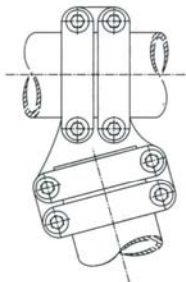


**MDBBT**  
Pag. P10

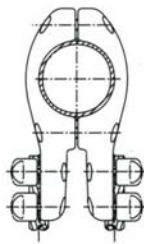
CONEXIONES ESPECIALES EN ÁNGULO / SPECIAL CONNECTORS IN ANGLE / RACCORDS SPECIALS EN ANGLE



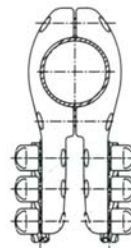
**MD2BB30**  
Pag. Q1



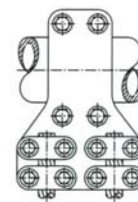
**MDBB75**  
Pag. Q1



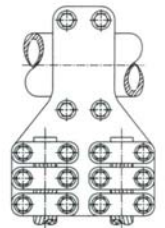
**MDBD.1**  
Pag. Q2



**MDBD3.1**  
Pag. Q2

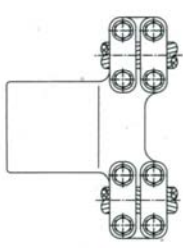


**MTBD.1**  
Pag. Q3



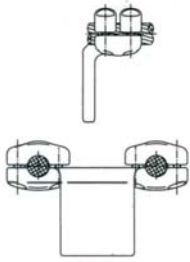
**MTBD3.1**  
Pag. Q3





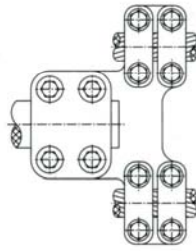
MRDP

Pag. R1



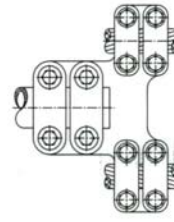
MLDP

Pag. R2



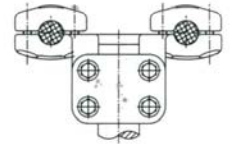
MRDBT.\*

Pag. R3



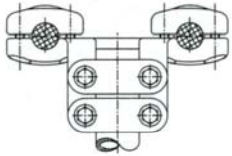
MRDB.\*

Pag. R4



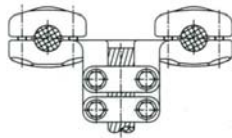
MLDBT

Pag. R5



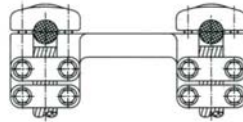
MLDB

Pag. R6



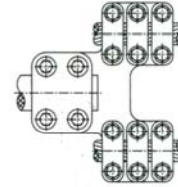
MLDC

Pag. R7



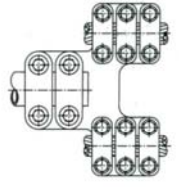
MLDDC

Pag. R8



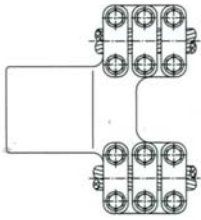
MRD3BT

Pag. R9



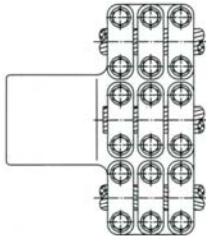
MRD3B

Pag. R9



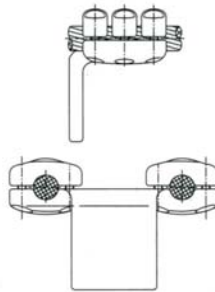
MRD3P

Pag. R10



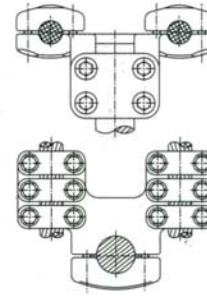
MR3C3P

Pag. R10



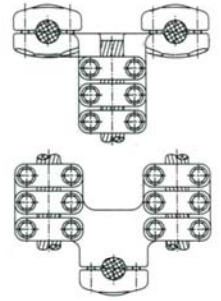
MLD3P

Pag. R11



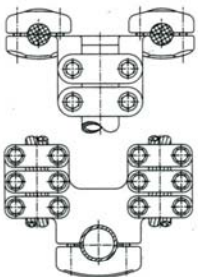
MLD3BT

Pag. R11



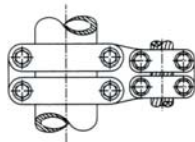
MLD3C

Pag. R12



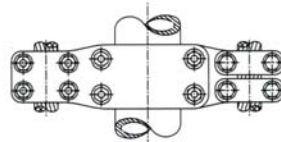
MLD3B

Pag. R13



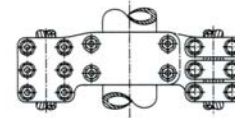
MUBC

Pag. R14



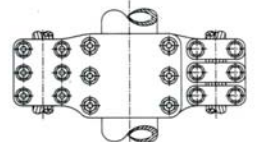
MUDB

Pag. R15



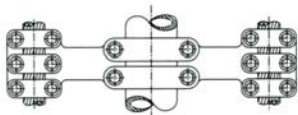
MUD3B

Pag. R15



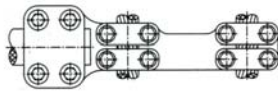
MUD3B3

Pag. R16



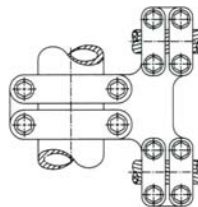
MLCP

Pag. R16



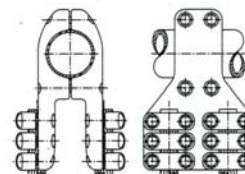
MDDBT.\*

Pag. R17



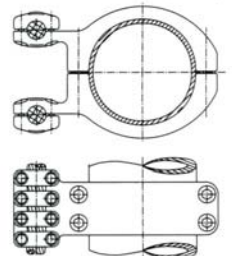
MDTBD.\*

Pag. R17



MTD2B3.1

Pag. 18

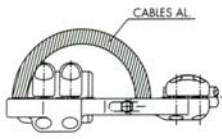


MUD4B.2

Pag. 18

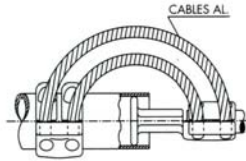


CONECTORES DE DILATACIÓN / EXPANSION CONNECTORS / RACCORDS A DILATATION



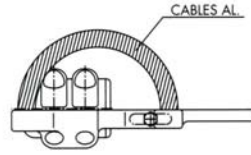
MRFBT

Pag. S1



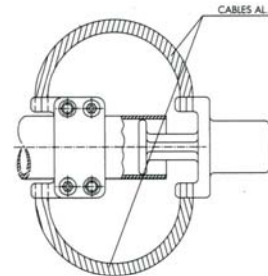
MRFBBT

Pag. S1



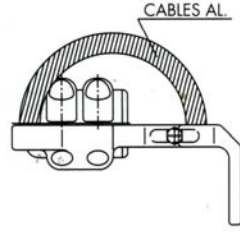
MRFBP

Pag. S2



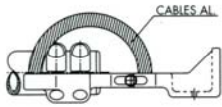
MRFBP

Pag. S2



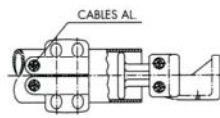
MLFBP

Pag. S3



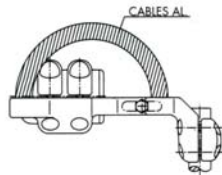
MRFBPC

Pag. S3



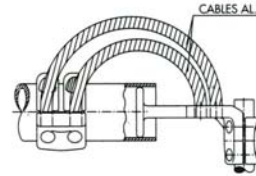
MRFBPC

Pag. S4



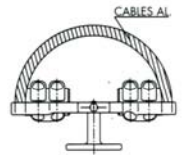
MLFBBT

Pag. S4



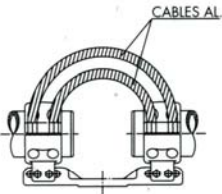
MLFBBT

Pag. S5



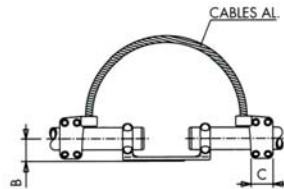
MPEFB

Pag. S5



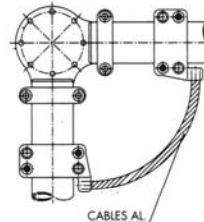
MPEFBD

Pag. S6



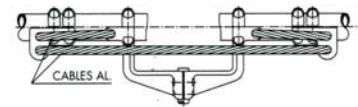
MPEFBI

Pag. S6



MPDFBI

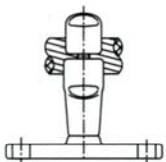
Pag. S7



MFDB2B

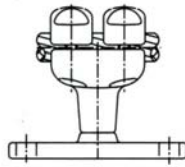
Pag. S7

SOPORTES / SUPPORTS / SUPPORTS



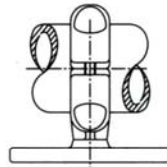
MPC1

Pag. T1



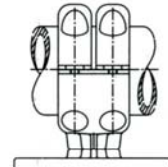
MPC

Pag. T1



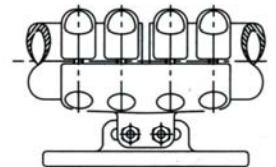
MPB1

Pag. T1



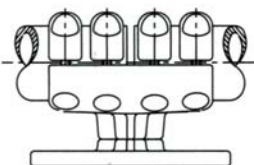
MPB

Pag. T2



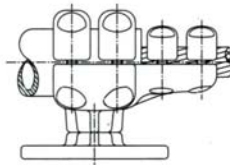
MPEBD

Pag. T2



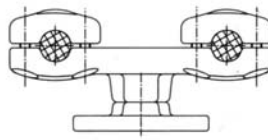
MPEB

Pag. T2



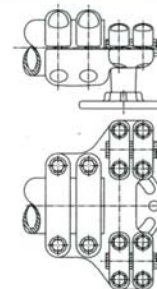
MPEBC

Pag. T3



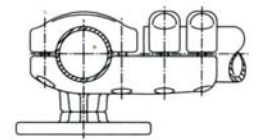
MPU

Pag. T3



MPDUB

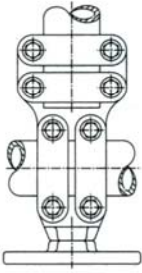
Pag. T4



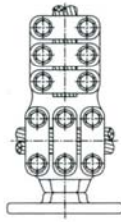
MPDDB

Pag. T4

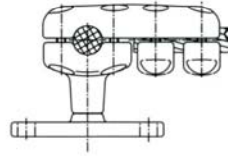




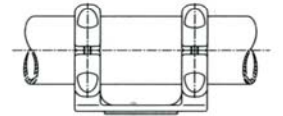
**MPTBB**  
Pag. T5



**MPDCC3**  
Pag. T5

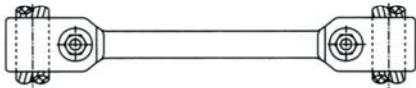


**MPDCC**  
Pag. T6

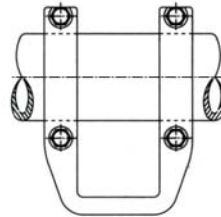


**MPEBI**  
Pag. T6

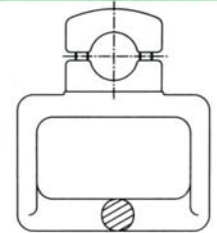
**PUNTOS FIJOS Y PINZA DE PUESTA A TIERRA / FIXED POINTS AND EARTH CLAMPING DEVICE / POINTS FIXES ET PINCE DE MISE À TERRE**



**MUPF**  
Pag. U1

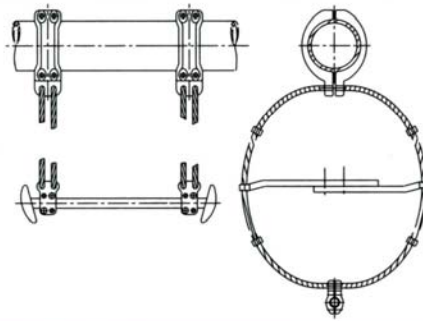


**MPFB**  
Pag. U1



**MPFB**  
Pag. U1

**CONTRACONTACTOS PANTÓGRAFO / COUNTERCONTACTS/PANTOGRAPH / CONTRECONTACTS/PANTOGAPHE**



Pag. V1





*ALUMINIUM CONNECTORS*

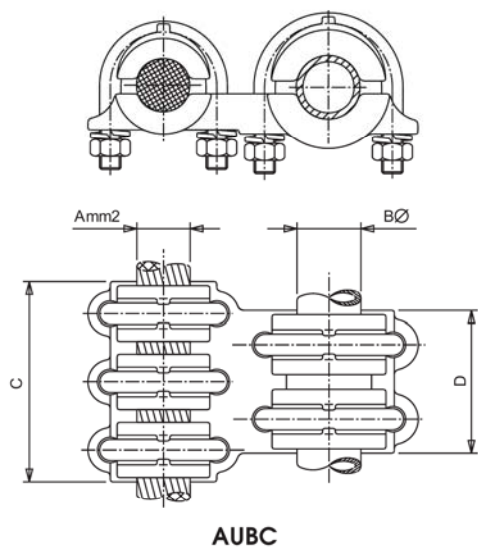
АЛЮМИНЬЕВЫЕ ЗАЖИМЫ

RACCORDS D'ALUMINIUM



PARALLEL CONNECTOR FOR AL. TUBE AND AL. CABLE

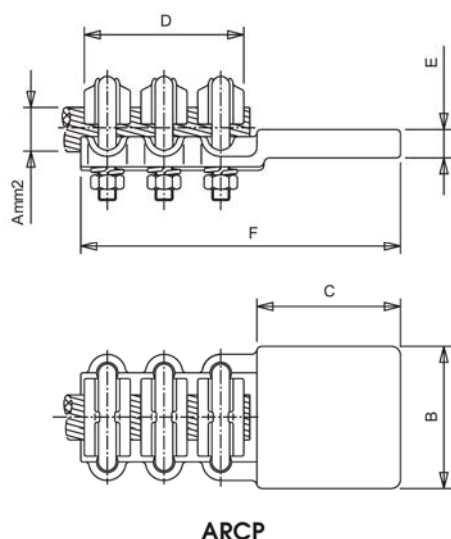
ПАРАЛЛЕЛЬНЫЙ ЗАЖИМ ДЛЯ АЛЮМИНЬЕВОЙ ТРУБЫ И АЛЮМИНЬЕВОГО ПРОВОДА



| Referencia<br>Code<br>Шифр | mm <sup>2</sup> |      | mm |     |    | Par de apriete<br>Tightening torque<br>Момент затяжки<br>(kg.m) |   |
|----------------------------|-----------------|------|----|-----|----|---|---|
|                            | A               |      | Bø | C   | D  | A   | B |
|                            | Mín.            | Max. |    |     |    |   |   |
| AUBC-14530                 | 110             | 145  | 30 | 85  | 67 | 2   | 3 |
| AUBC-18030                 | 160             | 180  | 30 | 85  | 67 | 2   | 3 |
| AUBC-28030                 | 190             | 280  | 30 | 98  | 67 | 3   | 3 |
| AUBC-38030                 | 290             | 380  | 30 | 98  | 67 | 3   | 3 |
| AUBC-54530                 | 450             | 545  | 30 | 107 | 67 | 3   | 3 |
| AUBC-63530                 | 590             | 635  | 30 | 107 | 67 | 3   | 3 |
| AUBC-18040                 | 160             | 180  | 40 | 85  | 75 | 2   | 3 |
| AUBC-28040                 | 190             | 280  | 40 | 98  | 75 | 3   | 3 |
| AUBC-38040                 | 290             | 380  | 40 | 98  | 75 | 3   | 3 |
| AUBC-54540                 | 450             | 545  | 40 | 107 | 75 | 3   | 3 |
| AUBC-63540                 | 590             | 635  | 40 | 107 | 75 | 3   | 3 |
| AUBC-28050                 | 190             | 280  | 50 | 98  | 80 | 3   | 3 |
| AUBC-38050                 | 290             | 380  | 50 | 98  | 80 | 3   | 3 |
| AUBC-54550                 | 450             | 545  | 50 | 107 | 80 | 3   | 3 |
| AUBC-63550                 | 590             | 635  | 50 | 107 | 80 | 3   | 3 |

STRAIGHT CONNECTOR UNION AL. CABLE TO AL. FLATBAR

ПРЯМОЙ ЗАЖИМ ДЛЯ ПРИСОЕДИНЕНИЯ АЛЮМИНЬЕВОГО ПРОВОДА К АППАРАТАМ



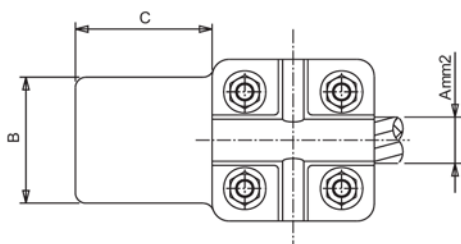
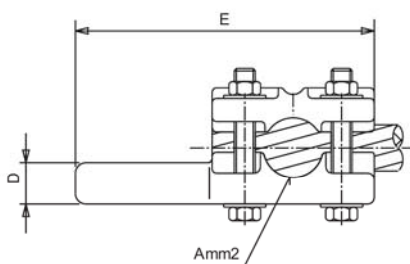
| Referencia<br>Code<br>Шифр | mm <sup>2</sup> |      | mm   |       |     |     |     |    | Par de apriete<br>Tightening torque<br>Момент затяжки<br>(kg.m) |   |
|----------------------------|-----------------|------|------|-------|-----|-----|-----|----|---|---|
|                            | A               |      | Aø   |       | B   | C   | D   | E  |   | F |
|                            | Mín.            | Max. | Mín. | Max.  |     |     |     |    |   |   |
| ARCP-14533                 | 110             | 145  | 14   | 15,75 | 50  | 50  | 85  | 15 | 145   | 2 |
| ARCP-14544                 | 110             | 145  | 14   | 15,75 | 60  | 60  | 85  | 15 | 155   | 2 |
| ARCP-14555                 | 110             | 145  | 14   | 15,75 | 80  | 80  | 85  | 15 | 175   | 2 |
| ARCP-14566                 | 110             | 145  | 14   | 15,75 | 100 | 100 | 85  | 15 | 195   | 2 |
| ARCP-14588                 | 110             | 145  | 14   | 15,75 | 125 | 125 | 85  | 15 | 220   | 2 |
| ARCP-18033                 | 160             | 180  | 16   | 17,50 | 50  | 50  | 85  | 15 | 145   | 2 |
| ARCP-18044                 | 160             | 180  | 16   | 17,50 | 60  | 60  | 85  | 15 | 155   | 2 |
| ARCP-18055                 | 160             | 180  | 16   | 17,50 | 80  | 80  | 85  | 15 | 175   | 2 |
| ARCP-18066                 | 160             | 180  | 16   | 17,50 | 100 | 100 | 85  | 15 | 195   | 2 |
| ARCP-18088                 | 160             | 180  | 16   | 17,50 | 125 | 125 | 85  | 15 | 220   | 2 |
| ARCP-28033                 | 190             | 280  | 18   | 21,80 | 50  | 50  | 98  | 15 | 158   | 3 |
| ARCP-28044                 | 190             | 280  | 18   | 21,80 | 60  | 60  | 98  | 15 | 168   | 3 |
| ARCP-28055                 | 190             | 280  | 18   | 21,80 | 80  | 80  | 98  | 15 | 188   | 3 |
| ARCP-28066                 | 190             | 280  | 18   | 21,80 | 100 | 100 | 98  | 15 | 208   | 3 |
| ARCP-28088                 | 190             | 280  | 18   | 21,80 | 125 | 125 | 98  | 15 | 233   | 3 |
| ARCP-38044                 | 290             | 380  | 22   | 25,40 | 60  | 60  | 98  | 15 | 168   | 3 |
| ARCP-38055                 | 290             | 380  | 22   | 25,40 | 80  | 80  | 98  | 15 | 188   | 3 |
| ARCP-38066                 | 290             | 380  | 22   | 25,40 | 100 | 100 | 98  | 15 | 208   | 3 |
| ARCP-38088                 | 290             | 380  | 22   | 25,40 | 125 | 125 | 98  | 15 | 233   | 3 |
| ARCP-54555                 | 450             | 545  | 27,7 | 30,4  | 80  | 80  | 107 | 15 | 197   | 3 |
| ARCP-54566                 | 450             | 545  | 27,7 | 30,4  | 100 | 100 | 107 | 15 | 217   | 3 |
| ARCP-54588                 | 450             | 545  | 27,7 | 30,4  | 125 | 125 | 107 | 15 | 242   | 3 |
| ARCP-63555                 | 590             | 635  | 31,5 | 32,85 | 80  | 80  | 107 | 15 | 197   | 3 |
| ARCP-63566                 | 590             | 635  | 31,5 | 32,85 | 100 | 100 | 107 | 15 | 217   | 3 |
| ARCP-63588                 | 590             | 635  | 31,5 | 32,85 | 125 | 125 | 107 | 15 | 242   | 3 |





## STRAIGHT CONNECTOR OR TAP FOR AL. CABLES TO FLATBAR

### ПРЯМОЙ ЗАЖИМ ДЛЯ ПРИСОЕДИНЕНИЯ АЛЮМИНЬЕВЫХ ПРОВОДОВ К АППАРАТАМ

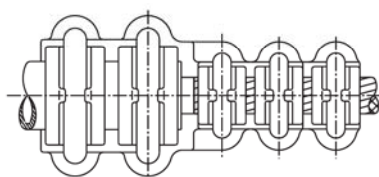
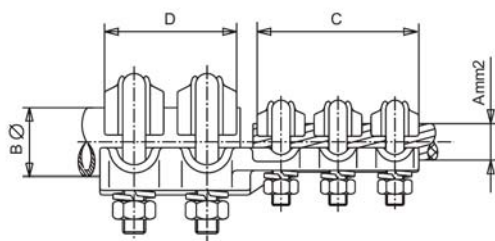


ADXP

| Referencia<br>Code<br>Шифр | mm <sup>2</sup> |      | mm              |      |     |     |    |     | Par de apriete<br>Tightening torque<br>Момент затяжки<br>(kg.m) |
|----------------------------|-----------------|------|-----------------|------|-----|-----|----|-----|---|
|                            | A               |      | A $\varnothing$ |      | B   | C   | D  | E   |   |
|                            | Mín.            | Max. | Mín.            | Max. |     |     |    |     |   |
| ADXP-3344                  | 50              | 630  | 9,5             | 33   | 60  | 60  | 20 | 140 | 3   |
| ADXP-3355                  | 50              | 630  | 9,5             | 33   | 80  | 80  | 20 | 160 | 3   |
| ADXP-3366                  | 50              | 630  | 9,5             | 33   | 100 | 100 | 20 | 180 | 3   |

## STRAIGHT CONNECTOR UNION AL. TUBE TO AL. CABLE

### УЗЕЛ ПРЯМОГО СОЕДИНЕНИЯ АЛЮМИНЬЕВОЙ ТРУБЫ С АЛЮМИНЬЕВЫМ ПРОВОДОМ



ARBC

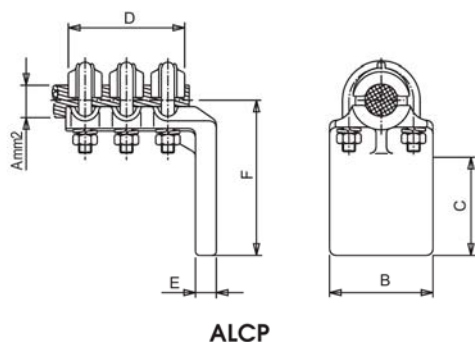
| Referencia<br>Code<br>Шифр | mm <sup>2</sup> |      | mm              |       |                 |     |    |   | Par de apriete<br>Tightening torque<br>Момент затяжки<br>(kg.m) |  |
|----------------------------|-----------------|------|-----------------|-------|-----------------|-----|----|---|---|--|
|                            | A               |      | A $\varnothing$ |       | B $\varnothing$ | C   | D  | A | B   |  |
|                            | Mín.            | Max. | Mín.            | Max.  |                 |     |    |   |   |  |
| ARBC-30145                 | 110             | 145  | 14              | 15,75 | 30              | 85  | 67 | 3 | 2   |  |
| ARBC-30180                 | 160             | 180  | 16              | 17,50 | 30              | 85  | 67 | 3 | 2   |  |
| ARBC-30280                 | 190             | 280  | 18              | 21,80 | 30              | 98  | 67 | 3 | 3   |  |
| ARBC-30380                 | 290             | 380  | 22              | 25,40 | 30              | 98  | 67 | 3 | 3   |  |
| ARBC-30545                 | 450             | 545  | 27,7            | 30,4  | 30              | 107 | 67 | 3 | 3   |  |
| ARBC-30635                 | 590             | 635  | 31,5            | 32,85 | 30              | 107 | 67 | 3 | 3   |  |
| ARBC-40180                 | 160             | 180  | 16              | 17,50 | 40              | 98  | 75 | 3 | 2   |  |
| ARBC-40280                 | 190             | 280  | 18              | 21,80 | 40              | 98  | 75 | 3 | 3   |  |
| ARBC-40380                 | 290             | 380  | 22              | 25,40 | 40              | 98  | 75 | 3 | 3   |  |
| ARBC-40545                 | 450             | 545  | 27,7            | 30,4  | 40              | 107 | 75 | 3 | 3   |  |
| ARBC-40635                 | 590             | 635  | 31,5            | 32,85 | 40              | 107 | 75 | 3 | 3   |  |
| ARBC-50280                 | 190             | 280  | 18              | 21,80 | 50              | 98  | 80 | 3 | 3   |  |
| ARBC-50380                 | 290             | 380  | 22              | 25,40 | 50              | 98  | 80 | 3 | 3   |  |
| ARBC-50545                 | 450             | 545  | 27,7            | 30,4  | 50              | 107 | 80 | 3 | 3   |  |
| ARBC-50635                 | 590             | 635  | 31,5            | 32,85 | 50              | 107 | 80 | 3 | 3   |  |



L CONNECTOR UNION AL. CABLE TO AL. FLATBAR

L-ОБРАЗНОЕ ПРИСОЕДИНЕНИЕ АЛЮМИНЬЕВОГО ПРОВОДА

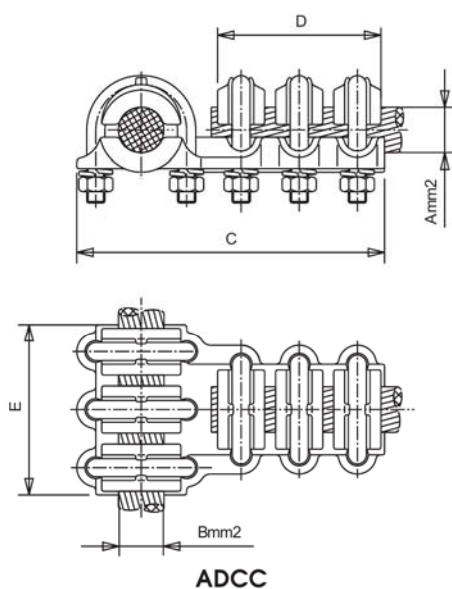
К АППАРАТАМ



ALCP

| Referencia<br>Code<br>Шифр | mm <sup>2</sup> |      | mm              |       |     |     |     |    |     | Par de apriete<br>Tightening torque<br>Момент затяжки<br>(kg.m) |
|----------------------------|-----------------|------|-----------------|-------|-----|-----|-----|----|-----|---|
|                            | A               |      | A $\varnothing$ |       | B   | C   | D   | E  | F   |   |
|                            | Mín.            | Max. | Mín.            | Max.  |     |     |     |    |     |   |
| ALCP-14533                 | 110             | 145  | 14              | 15,75 | 50  | 50  | 85  | 15 | 85  | 2   |
| ALCP-14544                 | 110             | 145  | 14              | 15,75 | 60  | 60  | 85  | 15 | 95  | 2   |
| ALCP-14555                 | 110             | 145  | 14              | 15,75 | 80  | 80  | 85  | 15 | 115 | 2   |
| ALCP-14566                 | 110             | 145  | 14              | 15,75 | 100 | 100 | 85  | 15 | 135 | 2   |
| ALCP-14588                 | 110             | 145  | 14              | 15,75 | 125 | 125 | 85  | 15 | 160 | 2   |
| ALCP-18033                 | 160             | 180  | 16              | 17,50 | 50  | 50  | 85  | 15 | 85  | 2   |
| ALCP-18044                 | 160             | 180  | 16              | 17,50 | 60  | 60  | 85  | 15 | 95  | 2   |
| ALCP-18055                 | 160             | 180  | 16              | 17,50 | 80  | 80  | 85  | 15 | 115 | 2   |
| ALCP-18066                 | 160             | 180  | 16              | 17,50 | 100 | 100 | 85  | 15 | 135 | 2   |
| ALCP-18088                 | 160             | 180  | 16              | 17,50 | 125 | 125 | 85  | 15 | 160 | 2   |
| ALCP-28033                 | 190             | 280  | 18              | 21,80 | 50  | 50  | 98  | 15 | 89  | 3   |
| ALCP-28044                 | 190             | 280  | 18              | 21,80 | 60  | 60  | 98  | 15 | 99  | 3   |
| ALCP-28055                 | 190             | 280  | 18              | 21,80 | 80  | 80  | 98  | 15 | 119 | 3   |
| ALCP-28066                 | 190             | 280  | 18              | 21,80 | 100 | 100 | 98  | 15 | 139 | 3   |
| ALCP-28088                 | 190             | 280  | 18              | 21,80 | 125 | 125 | 98  | 15 | 164 | 3   |
| ALCP-38044                 | 290             | 380  | 22              | 25,40 | 60  | 60  | 98  | 15 | 99  | 3   |
| ALCP-38055                 | 290             | 380  | 22              | 25,40 | 80  | 80  | 98  | 15 | 119 | 3   |
| ALCP-38066                 | 290             | 380  | 22              | 25,40 | 100 | 100 | 98  | 15 | 139 | 3   |
| ALCP-38088                 | 290             | 380  | 22              | 25,40 | 125 | 125 | 98  | 15 | 164 | 3   |
| ALCP-54555                 | 450             | 545  | 27,7            | 30,4  | 80  | 80  | 107 | 15 | 120 | 3   |
| ALCP-54566                 | 450             | 545  | 27,7            | 30,4  | 100 | 100 | 107 | 15 | 140 | 3   |
| ALCP-54588                 | 450             | 545  | 27,7            | 30,4  | 125 | 125 | 107 | 15 | 165 | 3   |
| ALCP-63555                 | 590             | 635  | 31,5            | 32,85 | 80  | 80  | 107 | 15 | 120 | 3   |
| ALCP-63566                 | 590             | 635  | 31,5            | 32,85 | 100 | 100 | 107 | 15 | 140 | 3   |
| ALCP-63588                 | 590             | 635  | 31,5            | 32,85 | 125 | 125 | 107 | 15 | 165 | 3   |

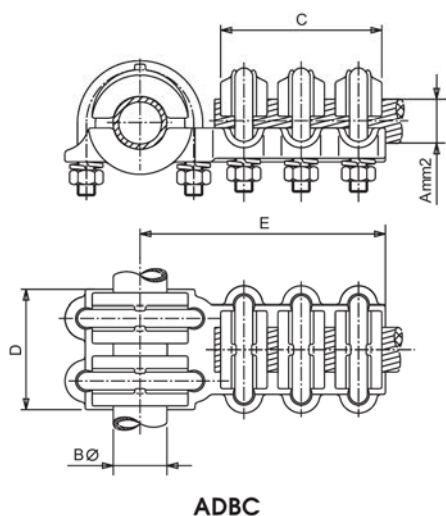




| Referencia<br>Code<br>Шифр | mm <sup>2</sup> |      |      |      | mm  |     |     | Par de apriete<br>Tightening torque<br>Момент затяжки<br>(kg.m) |   |
|----------------------------|-----------------|------|------|------|-----|-----|-----|---|---|
|                            | A               |      | B    |      | C   | D   | E   | A   | B |
|                            | Mín.            | Max. | Mín. | Max. |     |     |     |   |   |
| ADCC-145                   | 110             | 145  | 110  | 145  | 135 | 85  | 85  | 2   | 2 |
| ADCC-145180                | 110             | 145  | 160  | 180  | 135 | 85  | 85  | 2   | 2 |
| ADCC-145280                | 110             | 145  | 190  | 280  | 142 | 98  | 85  | 2   | 3 |
| ADCC-145380                | 110             | 145  | 290  | 380  | 152 | 98  | 85  | 2   | 3 |
| ADCC-145545                | 110             | 145  | 450  | 545  | 163 | 107 | 85  | 2   | 3 |
| ADCC-145635                | 110             | 145  | 590  | 635  | 163 | 107 | 85  | 2   | 3 |
| ADCC-180145                | 160             | 180  | 110  | 145  | 135 | 85  | 85  | 2   | 2 |
| ADCC-180                   | 160             | 180  | 160  | 180  | 135 | 85  | 85  | 2   | 2 |
| ADCC-180280                | 160             | 180  | 190  | 280  | 142 | 98  | 85  | 2   | 3 |
| ADCC-180380                | 160             | 180  | 290  | 380  | 152 | 98  | 85  | 2   | 3 |
| ADCC-180545                | 160             | 180  | 450  | 545  | 163 | 107 | 85  | 2   | 3 |
| ADCC-180635                | 160             | 180  | 590  | 635  | 163 | 107 | 85  | 2   | 3 |
| ADCC-280180                | 190             | 280  | 160  | 180  | 148 | 85  | 98  | 3   | 2 |
| ADCC-280                   | 190             | 280  | 190  | 280  | 148 | 98  | 98  | 3   | 3 |
| ADCC-280380                | 190             | 280  | 290  | 380  | 160 | 98  | 98  | 3   | 3 |
| ADCC-280545                | 190             | 280  | 450  | 545  | 172 | 107 | 98  | 3   | 3 |
| ADCC-280635                | 190             | 280  | 590  | 635  | 172 | 107 | 98  | 3   | 3 |
| ADCC-380280                | 290             | 380  | 190  | 280  | 174 | 98  | 98  | 3   | 3 |
| ADCC-380                   | 290             | 380  | 290  | 380  | 174 | 98  | 98  | 3   | 3 |
| ADCC-380545                | 290             | 380  | 450  | 545  | 183 | 107 | 98  | 3   | 3 |
| ADCC-380635                | 290             | 380  | 590  | 635  | 183 | 107 | 98  | 3   | 3 |
| ADCC-545280                | 450             | 545  | 190  | 280  | 187 | 98  | 107 | 3   | 3 |
| ADCC-545380                | 450             | 545  | 290  | 380  | 187 | 98  | 107 | 3   | 3 |
| ADCC-545                   | 450             | 545  | 450  | 545  | 196 | 107 | 107 | 3   | 3 |
| ADCC-545635                | 450             | 545  | 590  | 635  | 196 | 107 | 107 | 3   | 3 |
| ADCC-635545                | 590             | 635  | 450  | 545  | 196 | 107 | 107 | 3   | 3 |
| ADCC-635                   | 590             | 635  | 590  | 635  | 196 | 107 | 107 | 3   | 3 |

### T CONNECTOR THROUGH AL. TUBE AND TAP AL. CABL

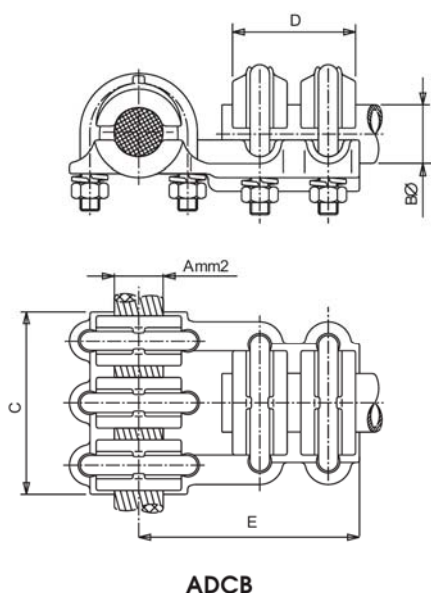
#### T-ОБРАЗНЫЙ ЗАЖИМ ДЛЯ ПРИСОЕДИНЕНИЯ АЛЮМИНЬЕВОГО К АЛЮМИНЬЕВОЙ ТРУБЕ



| Referencia<br>Code<br>Шифр | mm <sup>2</sup> |      | mm              |       |                 |     |    |     | Par de apriete<br>Tightening torque<br>Момент затяжки<br>(kg.m) |   |
|----------------------------|-----------------|------|-----------------|-------|-----------------|-----|----|-----|---|---|
|                            | A               |      | A $\varnothing$ |       | B $\varnothing$ | C   | D  | E   | A   | B |
|                            | Mín.            | Max. | Mín.            | Max.  |                 |     |    |     |   |   |
| ADBC-30145                 | 110             | 145  | 14              | 15,75 | 30              | 85  | 67 | 131 | 3   | 2 |
| ADBC-30180                 | 160             | 180  | 16              | 17,50 | 30              | 85  | 67 | 131 | 3   | 2 |
| ADBC-30280                 | 190             | 280  | 18              | 21,80 | 30              | 98  | 67 | 145 | 3   | 3 |
| ADBC-30380                 | 290             | 380  | 22              | 25,40 | 30              | 98  | 67 | 145 | 3   | 3 |
| ADBC-30545                 | 450             | 545  | 27,7            | 30,4  | 30              | 107 | 67 | 155 | 3   | 3 |
| ADBC-30635                 | 590             | 635  | 31,5            | 32,85 | 30              | 107 | 67 | 155 | 3   | 3 |
| ADBC-40180                 | 160             | 180  | 16              | 17,50 | 40              | 98  | 75 | 141 | 3   | 2 |
| ADBC-40280                 | 190             | 280  | 18              | 21,80 | 40              | 98  | 75 | 153 | 3   | 3 |
| ADBC-40380                 | 290             | 380  | 22              | 25,40 | 40              | 98  | 75 | 153 | 3   | 3 |
| ADBC-40545                 | 450             | 545  | 27,7            | 30,4  | 40              | 107 | 75 | 162 | 3   | 3 |
| ADBC-40635                 | 590             | 635  | 31,5            | 32,85 | 40              | 107 | 75 | 162 | 3   | 3 |
| ADBC-50280                 | 190             | 280  | 18              | 21,80 | 50              | 98  | 80 | 159 | 3   | 3 |
| ADBC-50380                 | 290             | 380  | 22              | 25,40 | 50              | 98  | 80 | 159 | 3   | 3 |
| ADBC-50545                 | 450             | 545  | 27,7            | 30,4  | 50              | 107 | 80 | 168 | 3   | 3 |
| ADBC-50635                 | 590             | 635  | 31,5            | 32,85 | 50              | 107 | 80 | 168 | 3   | 3 |

### T CONNECTOR THROUGH AL. CABLE AND TAP AL. TUBE/STUD

#### T-ОБРАЗНЫЙ ЗАЖИМ ДЛЯ ПРИСОЕДИНЕНИЯ АЛЮМИНЬЕВОЙ ТРУБЫ ИЛИ СТЕРЖНЯ К АЛЮМИНЬЕВОМУ ПРОВОДУ

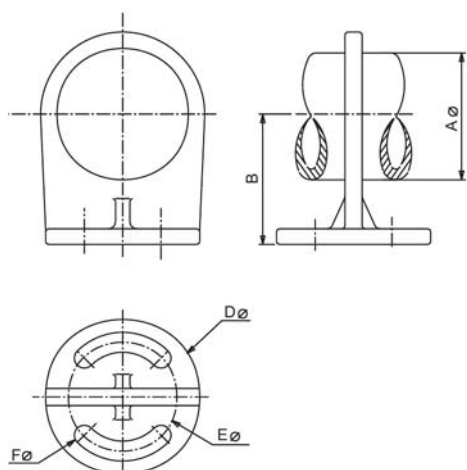


| Referencia<br>Code<br>Шифр | mm <sup>2</sup> |      | mm              |     |    |     | Par de apriete<br>Tightening torque<br>Момент затяжки<br>(kg.m) |   |
|----------------------------|-----------------|------|-----------------|-----|----|-----|---|---|
|                            | A               |      | B $\varnothing$ | C   | D  | E   | A   | B |
|                            | Mín.            | Max. |                 |     |    |     |   |   |
| ADCB-14530                 | 110             | 145  | 30              | 85  | 67 | 98  | 2   | 3 |
| ADCB-18030                 | 160             | 180  | 30              | 85  | 67 | 98  | 2   | 3 |
| ADCB-28030                 | 190             | 280  | 30              | 98  | 67 | 102 | 3   | 3 |
| ADCB-38030                 | 290             | 380  | 30              | 98  | 67 | 108 | 3   | 3 |
| ADCB-54530                 | 450             | 545  | 30              | 107 | 67 | 114 | 3   | 3 |
| ADCB-63530                 | 590             | 635  | 30              | 107 | 67 | 114 | 3   | 3 |
| ADCB-18040                 | 160             | 180  | 40              | 85  | 75 | 106 | 2   | 3 |
| ADCB-28040                 | 190             | 280  | 40              | 98  | 75 | 110 | 3   | 3 |
| ADCB-38040                 | 290             | 380  | 40              | 98  | 75 | 116 | 3   | 3 |
| ADCB-54540                 | 450             | 545  | 40              | 107 | 75 | 122 | 3   | 3 |
| ADCB-63540                 | 590             | 635  | 40              | 107 | 75 | 122 | 3   | 3 |
| ADCB-28050                 | 190             | 280  | 50              | 98  | 80 | 117 | 3   | 3 |
| ADCB-38050                 | 290             | 380  | 50              | 98  | 80 | 123 | 3   | 3 |
| ADCB-54550                 | 450             | 545  | 50              | 107 | 80 | 129 | 3   | 3 |
| ADCB-63550                 | 590             | 635  | 50              | 107 | 80 | 129 | 3   | 3 |



## SLIDING SUPPORT FOR AL. TUBE ON INSULATOR

ПОДВИЖНОЕ КРЕПЛЕНИЕ ДЛЯ АЛЮМИНЬЕВОЙ ТРУБЫ,  
ЗАКРЕПЛЁННОЕ НА ИЗОЛЯТОРЕ

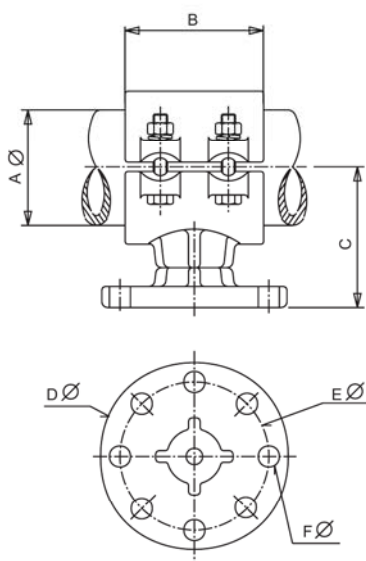


ASPD

| Referencia<br>Code<br>Шифр | Tubo A<br>IPS | mm              |    |                 |                 |                 |
|----------------------------|---------------|-----------------|----|-----------------|-----------------|-----------------|
|                            |               | A $\varnothing$ | B  | D $\varnothing$ | E $\varnothing$ | F $\varnothing$ |
| ASPD-33*                   | 1"            | 33,4            | 57 | SEGUN NOTA      | SEGUN NOTA      | SEGUN NOTA      |
| ASPD-42*                   | 1 1/4"        | 42,17           | 60 |                 |                 |                 |
| ASPD-48*                   | 1 1/2"        | 48,26           | 64 |                 |                 |                 |
| ASPD-60*                   | 2"            | 60,32           | 70 |                 |                 |                 |
| ASPD-73*                   | 2 1/2"        | 73,02           | 79 |                 |                 |                 |
| ASPD-89*                   | 3"            | 88,9            | 92 |                 |                 |                 |

## FIX SUPPORT AL. TUBE ON INSULATOR

НЕПОДВИЖНОЕ КРЕПЛЕНИЕ ДЛЯ АЛЮМИНЬЕВОЙ ТРУБЫ,  
ЗАКРЕПЛЁННОЕ НА ИЗОЛЯТОРЕ



APB

| Referencia<br>Code<br>Шифр | mm              |     |     |                 |                 |                 | Par de apriete<br>Tightening torque<br>Момент затяжки<br>(kg.m) |
|----------------------------|-----------------|-----|-----|-----------------|-----------------|-----------------|---|
|                            | A $\varnothing$ | B   | C   | D $\varnothing$ | E $\varnothing$ | F $\varnothing$ | P.A.  |
| APB-50*                    | 50              | 80  | 80  | SEGUN NOTA      | SEGUN NOTA      | SEGUN NOTA      | 5   |
| APB-60*                    | 60              | 80  | 90  |                 |                 |                 | 5   |
| APB-70*                    | 70              | 90  | 90  |                 |                 |                 | 5   |
| APB-80*                    | 80              | 90  | 100 |                 |                 |                 | 5   |
| APB-90*                    | 90              | 95  | 100 |                 |                 |                 | 5   |
| APB-100*                   | 100             | 115 | 120 |                 |                 |                 | 5   |

NOTA/NOTE:

|        | D $\varnothing$ | E $\varnothing$ | F $\varnothing$ |
|--------|-----------------|-----------------|-----------------|
| TIPO 1 | 108             | 76              | 14              |
| TIPO 2 | 158             | 127             | 18              |

MEDIDAS FIJACION DE AISLADOR

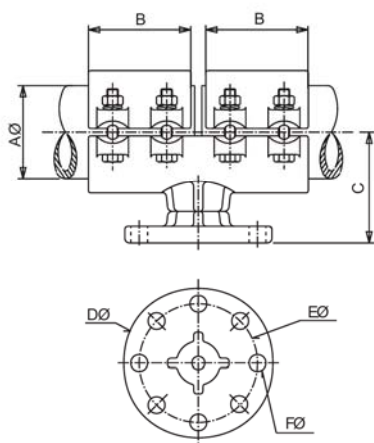
ПАРАМЕТРЫ НЕПОДВИЖНОГО ИЗОЛЯТОРА

MESURES DE FIXATION D'ISOLATEUR

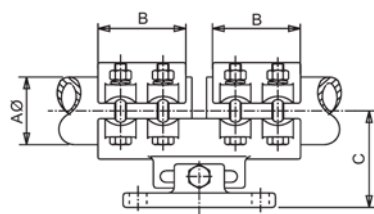


## FIX/SLIDING SUPPORT FOR AL. TUBES ON INSULATOR

### ПОДВИЖНОЕ ИЛИ НЕПОДВИЖНОЕ КРЕПЛЕНИЕ ДЛЯ АЛЮМИНЬЕВЫХ ТРУБ, ЗАКРЕПЛЕННОЕ НА ИЗОЛЯТОРЕ



**APEB**



**APEBD**

| Referencia<br>Code<br>Шифр | m.m.            |     |     |                 |                 |                 | Par de apriete<br>Tightening torque<br>Момент затяжки<br>(kg.m) |
|----------------------------|-----------------|-----|-----|-----------------|-----------------|-----------------|---|
|                            | A $\varnothing$ | B   | C   | D $\varnothing$ | E $\varnothing$ | F $\varnothing$ | A   |
| APEB-5050*                 | 50              | 80  | 80  | SEGUN NOTA      | SEGUN NOTA      | SEGUN NOTA      | 5   |
| APEB-6060*                 | 60              | 80  | 90  |                 |                 |                 | 5   |
| APEB-7070*                 | 70              | 90  | 90  |                 |                 |                 | 5   |
| APEB-8080*                 | 80              | 90  | 100 |                 |                 |                 | 5   |
| APEB-9090*                 | 90              | 95  | 100 |                 |                 |                 | 5   |
| APEB-100100*               | 100             | 115 | 120 |                 |                 |                 | 5   |
| APEB-120120*               | 120             | 115 | 145 |                 |                 |                 | 5   |

NOTA \*: A INDICAR SI ES FIJO O DESLIZANTE.

EJEMPLO: APEB (FIJO) / APEBD (DESLIZANTE)

ПРИМЕЧАНИЕ \*: УТОЧНЯТЬ ПОДВИЖНОЕ ИЛИ НЕПОДВИЖНОЕ КРЕПЛЕНИЕ

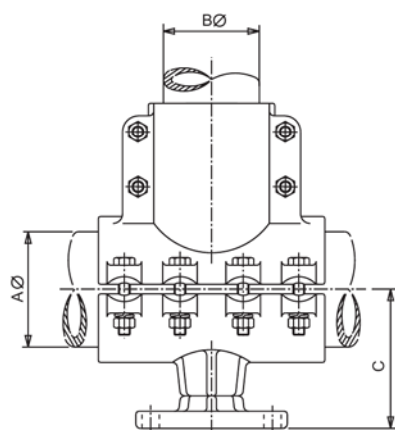
ПРИМЕР: APEB (НЕПОДВИЖНОЕ) / APEBD (ПОДВИЖНОЕ)

NOTE \*: À PRÉCISER SI DOIT ÊTRE FIXE OU COULISSANT.

EXEMPLE: APEB (FIXE) / APEBD (COULISSANT)

## T SUPPORT FOR UNION AL. TUBES AND ANOTHER VERTICAL ON INSULATOR

### T-ОБРАЗНОЕ КРЕПЛЕНИЕ ДЛЯ АЛЮМИНЬЕВЫХ ТРУБ И ЕЩЁ ОДНОЙ ИМ ПЕРПЕНДИКУЛЯРНОЙ, ЗАКРЕПЛЁННОЕ НА ИЗОЛЯТОРЕ



**APEBV**

| Referencia<br>Code<br>Шифр | m.m.            |                 |     |                 |                 |                 | Par de apriete<br>Tightening torque<br>Момент затяжки<br>(kg.m) |
|----------------------------|-----------------|-----------------|-----|-----------------|-----------------|-----------------|---|
|                            | A $\varnothing$ | B $\varnothing$ | C   | D $\varnothing$ | E $\varnothing$ | F $\varnothing$ | A   |
| APEBV-6050*                | 60              | 50              | 90  | SEGUN NOTA      | SEGUN NOTA      | SEGUN NOTA      | 5   |
| APEBV-7050*                | 70              | 50              | 90  |                 |                 |                 | 5   |
| APEBV-8050*                | 80              | 50              | 100 |                 |                 |                 | 5   |
| APEBV-9060*                | 90              | 60              | 100 |                 |                 |                 | 5   |
| APEBV-10070*               | 100             | 70              | 120 |                 |                 |                 | 5   |
| APEBV-10090*               | 100             | 90              | 120 |                 |                 |                 | 5   |
| APEBV-120100*              | 120             | 100             | 145 |                 |                 |                 | 5   |

ПРИМЕЧАНИЕ/NOTE:

|        | D $\varnothing$ | E $\varnothing$ | F $\varnothing$ |
|--------|-----------------|-----------------|-----------------|
| ТИПО 1 | 108             | 76              | 14              |
| ТИПО 2 | 158             | 127             | 18              |

MEDIDAS FIJACION DE AISLADOR

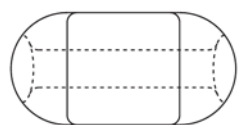
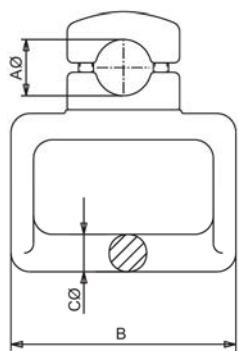
ПАРАМЕТРЫ НЕПОДВИЖНОГО ИЗОЛЯТОРА

MESURES DE FIXATION D'ISOLATEUR



**ABUTMENT FIX POINT FOR AL. TUBE/CABLE**

**ОПОРНЫЙ НЕПОДВИЖНЫЙ КОНТАКТ ДЛЯ АЛЮМИНЬЕВОЙ ТРУБЫ  
ИЛИ СТЕРЖНЯ**

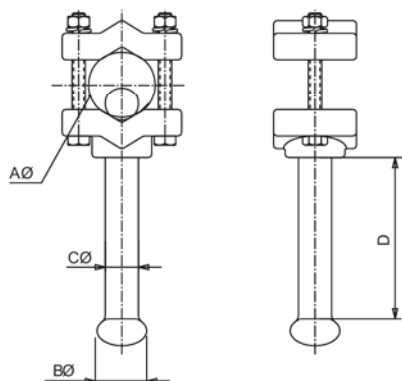


**APFE**

| Referencia<br>Code<br>Шифр | m m . |     |    | Par de apriete<br>Tightening torque<br>Момент затяжки<br>(kg.m) |
|----------------------------|-------|-----|----|---|
|                            | Aø    | B   | C  |   |
| APFE-16/22                 | 16-22 | 117 | 20 | 2   |
| APFE-23/33                 | 23-33 | 117 | 20 | 2   |
| APFE-35/40                 | 35-40 | 127 | 20 | 5   |
| APFE-50/60                 | 50-60 | 127 | 20 | 5   |

**PIN FIX POINT FOR AL. TUBE/CABLE**

**ШТЫРЬЕВОЙ НЕПОДВИЖНЫЙ КОНТАКТ ДЛЯ АЛЮМИНЬЕВОЙ ТРУБЫ  
ИЛИ ПРОВОДА**



**APFP**

| Referencia<br>Code<br>Шифр | m m . |    |    |    | Par de apriete<br>Tightening torque<br>Момент затяжки<br>(kg.m) |
|----------------------------|-------|----|----|----|---|
|                            | Aø    | Bø | Cø | D  |   |
| APFP-10/25                 | 10-25 | 30 | 20 | 95 | 2   |
| APFP-20/40                 | 20-40 | 30 | 20 | 95 | 2   |
| APFP-40/60                 | 40-60 | 30 | 20 | 95 | 3   |





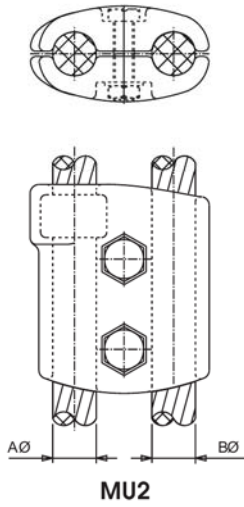
*PARALLEL CLAMPS AND CABLES*  
ЗАЖИМЫ ДЛЯ ПАРАЛЛЕЛЬНЫХ  
ПРОВОДОВ



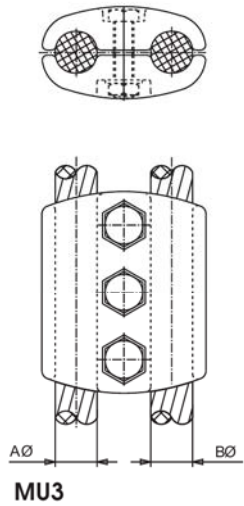


**PARALLEL CLAMP FOR CABLES**

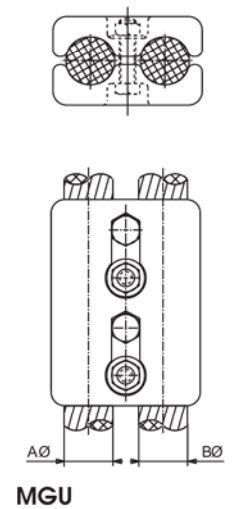
**ЗАЖИМ ДЛЯ ПАРАЛЛЕЛЬНЫХ ПРОВОДОВ, НАХОДЯЩИХСЯ  
В ГОРИЗОНТАЛЬНОЙ ПЛОСКОСТИ**



| Referencia<br>Code<br>Шифр | mm.  |      |      |      | Par de apriete<br>Tightening torque<br>Момент затяжки<br>(kg.m) |
|----------------------------|------|------|------|------|---|
|                            | Aø   |      | Bø   |      |   |
|                            | Mín. | Máx. | Mín. | Máx. |   |
| MU2-1515                   | 12   | 15   | 12   | 15   | 5   |
| MU2-1818                   | 16   | 18   | 16   | 18   | 5   |
| MU2-2222                   | 19   | 23   | 19   | 23   | 5   |
| MU2-2525                   | 24   | 26   | 24   | 26   | 5   |
| MU2-3030                   | 27   | 30   | 27   | 30   | 5   |



| Referencia<br>Code<br>Шифр | mm.  |      |      |      | Par de apriete<br>Tightening torque<br>Момент затяжки<br>(kg.m) |
|----------------------------|------|------|------|------|---|
|                            | Aø   |      | Bø   |      |   |
|                            | Mín. | Máx. | Mín. | Máx. |   |
| MU3-1515                   | 12   | 15   | 12   | 15   | 5   |
| MU3-1818                   | 16   | 18   | 16   | 18   | 5   |
| MU3-2222                   | 19   | 23   | 19   | 23   | 5   |
| MU3-2525                   | 24   | 26   | 24   | 26   | 5   |
| MU3-3030                   | 27   | 30   | 27   | 30   | 5   |

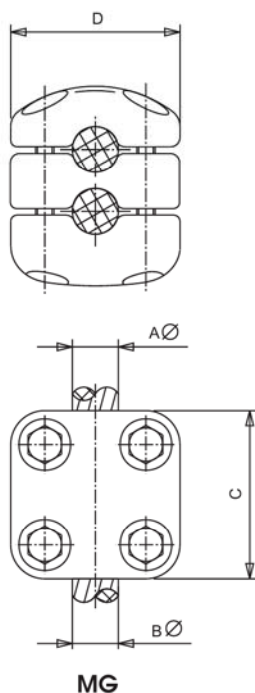


| Referencia<br>Code<br>Шифр | mm.  |      |      |      | Par de apriete<br>Tightening torque<br>Момент затяжки<br>(kg.m) |
|----------------------------|------|------|------|------|---|
|                            | Aø   |      | Bø   |      |   |
|                            | Mín. | Máx. | Mín. | Máx. |   |
| MGU-2525                   | 24   | 26   | 24   | 26   | 5   |
| MGU-3030                   | 27   | 30   | 27   | 30   | 5   |
| MGU-3232                   | 31   | 32   | 31   | 32   | 5   |
| MGU-3535                   | 33   | 35   | 33   | 35   | 5   |
| MGU-3838                   | 36   | 38   | 36   | 38   | 5   |
| MGU-4343                   | 40   | 43   | 40   | 43   | 5   |



## CLAMP FOR PARALLEL CABLES

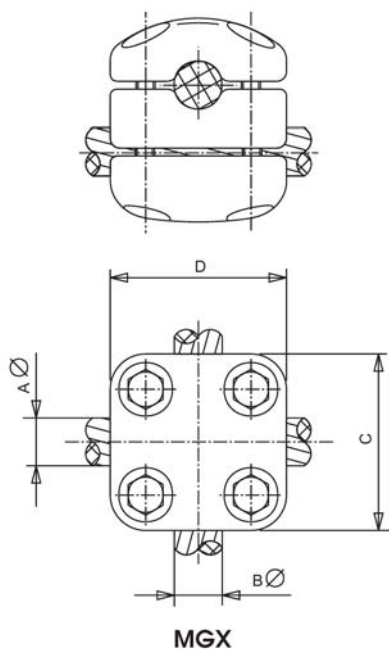
ЗАЖИМ ДЛЯ ПАРАЛЛЕЛЬНЫХ ПРОВОДОВ, НАХОДЯЩИХСЯ  
В ВЕРТИКАЛЬНОЙ ПЛОСКОСТИ



| Referencia<br>Code<br>Шифр | mm.             |      |                 |      |     |     | Par de apriete<br>Tightening torque<br>Момент затяжки<br>(kg.m) |
|----------------------------|-----------------|------|-----------------|------|-----|-----|---|
|                            | A $\varnothing$ |      | B $\varnothing$ |      | C   | D   |   |
|                            | Mín.            | Máx. | Mín.            | Máx. |     |     |   |
| MG-1515                    | 12              | 15   | 12              | 15   | 92  | 92  | 3   |
| MG-1818                    | 16              | 18   | 16              | 18   | 92  | 92  | 3   |
| MG-2222                    | 20              | 22   | 20              | 22   | 92  | 92  | 3   |
| MG-2525                    | 24              | 26   | 24              | 26   | 92  | 92  | 3   |
| MG-3030                    | 28              | 30   | 28              | 30   | 92  | 92  | 3   |
| MG-3232                    | 31              | 32   | 31              | 32   | 107 | 107 | 5   |
| MG-3535                    | 33              | 35   | 33              | 35   | 107 | 107 | 5   |
| MG-3838                    | 36              | 37   | 36              | 38   | 107 | 107 | 5   |
| MG-4343                    | 40              | 43   | 40              | 43   | 107 | 107 | 5   |

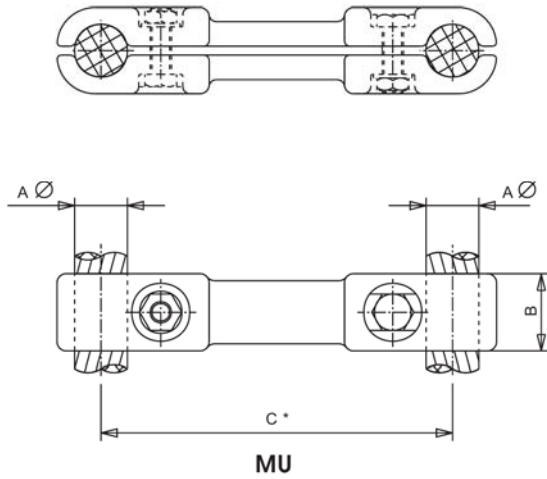
## CLAMP FOR CROSS CABLES

ЗАЖИМ ДЛЯ ПЕРЕКРЁСТНЫХ ПРОВОДОВ



| Referencia<br>Code<br>Шифр | mm.             |      |                 |      |     |     | Par de apriete<br>Tightening torque<br>Момент затяжки<br>(kg.m) |
|----------------------------|-----------------|------|-----------------|------|-----|-----|---|
|                            | A $\varnothing$ |      | B $\varnothing$ |      | C   | D   |   |
|                            | Mín.            | Máx. | Mín.            | Máx. |     |     |   |
| MGX-1515                   | 12              | 15   | 12              | 15   | 92  | 92  | 3   |
| MGX-1818                   | 16              | 18   | 16              | 18   | 92  | 92  | 3   |
| MGX-2222                   | 20              | 22   | 20              | 22   | 92  | 92  | 3   |
| MGX-2525                   | 24              | 26   | 24              | 26   | 92  | 92  | 3   |
| MGX-3030                   | 28              | 30   | 28              | 30   | 92  | 92  | 3   |
| MGX-3232                   | 31              | 32   | 31              | 32   | 107 | 107 | 5   |
| MGX-3535                   | 33              | 35   | 33              | 35   | 107 | 107 | 5   |
| MGX-3838                   | 36              | 37   | 36              | 38   | 107 | 107 | 5   |
| MGX-4343                   | 40              | 43   | 40              | 43   | 107 | 107 | 5   |





## NOTA

- C\***
- 1 = 100mm.
  - 15 = 150mm.
  - 2 = 200mm.
  - 3 = 300mm.
  - 33 = 330mm.

| Referencia<br>Code<br>Шифр | mm              |    |            | Par de apriete<br>Tightening torque<br>Момент затяжки<br>(kg.m) |
|----------------------------|-----------------|----|------------|---|
|                            | A $\varnothing$ | B  | C*         |   |
| MU.*-22                    | 20-22           | 42 | SEGÚN NOTA | 5   |
| MU.*-25                    | 24-26           | 42 |            | 5   |
| MU.*-30                    | 28-30           | 42 |            | 5   |
| MU.*-32                    | 31-32           | 44 |            | 5   |
| MU.*-35                    | 33-35           | 44 |            | 5   |
| MU.*-38                    | 36-38           | 44 |            | 5   |
| MU.*-43                    | 40-43           | 44 |            | 5   |





M

*TUBE END CAPS*

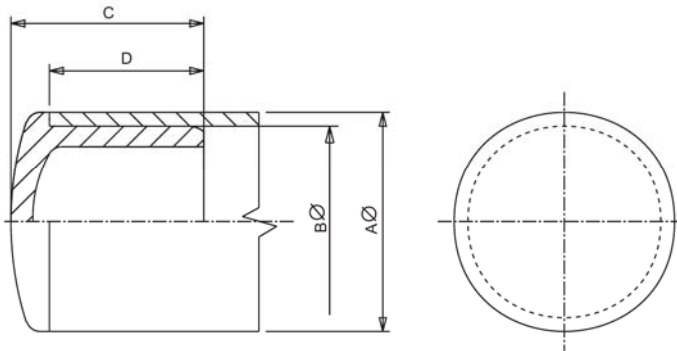
**ЗАГЛУШКИ ДЛЯ ТРУБ**

**BOUCHONS DE TUBE**



## TUBE END CAP

### ЗАГЛУШКИ ДЛЯ ТРУБ

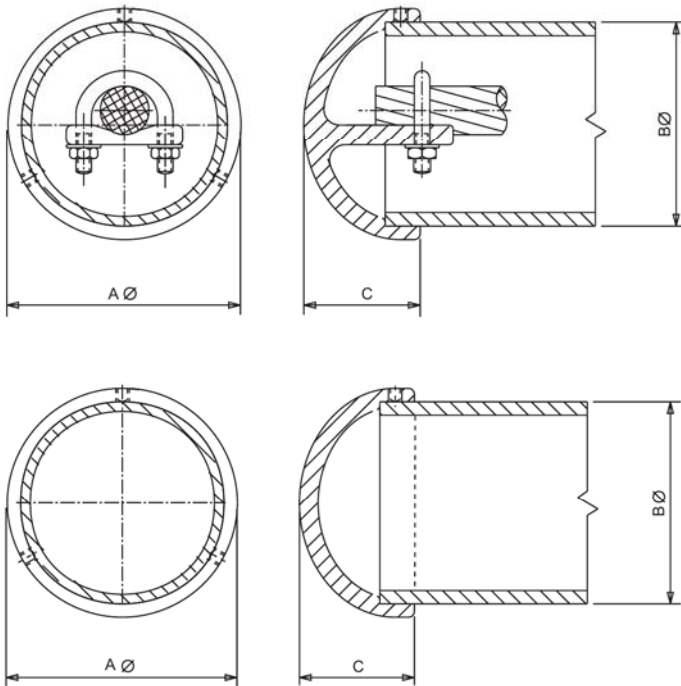


AT

| Referencia | mm  |                              |     |    |
|------------|-----|------------------------------|-----|----|
| Code       | A∅  | B∅                           | C   | D  |
| Шифр       | A∅  | B∅                           | C   | D  |
| AT-50      | 50  | A INDICAR ∅<br>TUBO INTERIOR | 47  | 32 |
| AT-60      | 60  |                              | 50  | 32 |
| AT-70      | 70  |                              | 65  | 43 |
| AT-80      | 80  |                              | 70  | 45 |
| AT-90      | 90  |                              | 70  | 50 |
| AT-100     | 100 |                              | 88  | 55 |
| AT-114     | 114 |                              | 95  | 55 |
| AT-120     | 120 |                              | 100 | 60 |
| AT-150     | 150 |                              | 120 | 70 |
| AT-168     | 168 |                              | 125 | 70 |

## CROWN TUBE END CAP

### ВЫПУКЛЫЕ ЗАГЛУШКИ



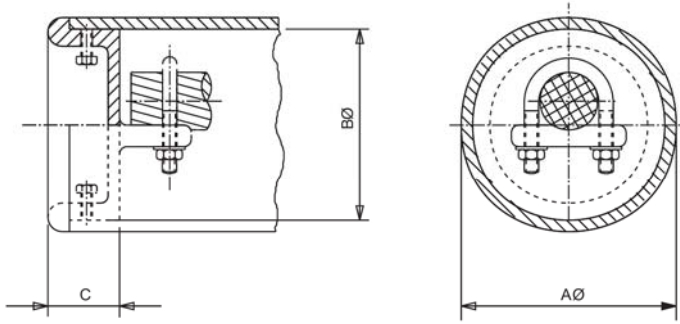
ATC

| Referencia | mm  |     |     |
|------------|-----|-----|-----|
| Code       | A∅  | B∅  | C   |
| Шифр       | A∅  | B∅  | C   |
| ATC-80     | 100 | 80  | 60  |
| ATC-100    | 120 | 100 | 65  |
| ATC-120    | 145 | 120 | 70  |
| ATC-150    | 180 | 150 | 80  |
| ATC-200    | 230 | 200 | 100 |
| ATC-250    | 290 | 250 | 125 |



### TUBE END CAP WITH INNER CABLE

#### ЗАГЛУШКИ ДЛЯ ТРУБ С ВНУТРЕННИМ ПРОВОДОМ

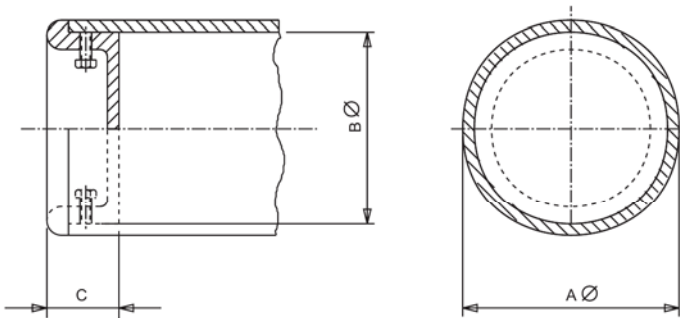


ATPG

| Referencia | mm  |                                 |    |
|------------|-----|---------------------------------|----|
| Code       | A Ø | B Ø                             | C  |
| Шифр       | A Ø | B Ø                             | C  |
| ATPG-80    | 80  | A INDICAR Ø<br>TUBO<br>INTERIOR | 42 |
| ATPG-100   | 100 |                                 | 45 |
| ATPG-120   | 120 |                                 | 55 |
| ATPG-150   | 150 |                                 | 55 |
| ATPG-200   | 200 |                                 | 45 |
| ATPG-250   | 250 |                                 | 65 |

### TUBE END CAP WITHOUT CABLE

#### ЗАГЛУШКИ ДЛЯ ТРУБ БЕЗ ВНУТРЕННЕГО ПРОВОДА



ATP

| Referencia | mm  |                                 |    |
|------------|-----|---------------------------------|----|
| Code       | A Ø | B Ø                             | C  |
| Шифр       | A Ø | B Ø                             | C  |
| ATP-80     | 80  | A INDICAR Ø<br>TUBO<br>INTERIOR | 42 |
| ATP-100    | 100 |                                 | 45 |
| ATP-120    | 120 |                                 | 55 |
| ATP-150    | 150 |                                 | 55 |
| ATP-200    | 200 |                                 | 45 |
| ATP-250    | 250 |                                 | 65 |





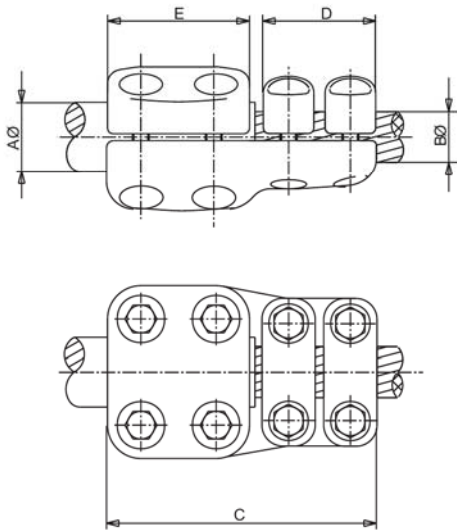
N

*STRAIGHT CONNECTORS*

ПРЯМЫЕ ЗАЖИМЫ

RACCORDS DROITS



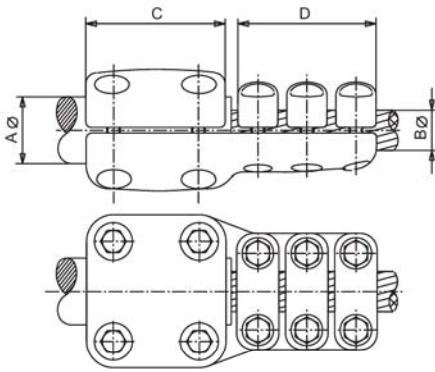


MRBCT

| Referencia<br>Code<br>Шифр | mm. |      |      |     |     |    | Par de apriete<br>Tightening torque<br>Момент затяжки<br>(kg.m) |   |
|----------------------------|-----|------|------|-----|-----|----|---|---|
|                            | Aø  | Bø   |      | C   | D   | E  | A   | B |
|                            |     | Mín. | Máx. |     |     |    |   |   |
| MRBCT-1615                 | 16  | 12   | 15   | 180 | 92  | 82 | 3   | 3 |
| MRBCT-1618                 | 16  | 16   | 18   | 180 | 92  | 82 | 3   | 3 |
| MRBCT-1622                 | 16  | 20   | 22   | 180 | 92  | 82 | 3   | 3 |
| MRBCT-2025                 | 20  | 24   | 26   | 180 | 92  | 82 | 3   | 3 |
| MRBCT-2015                 | 20  | 12   | 15   | 180 | 92  | 82 | 3   | 3 |
| MRBCT-2018                 | 20  | 16   | 18   | 180 | 92  | 82 | 3   | 3 |
| MRBCT-2022                 | 25  | 20   | 22   | 180 | 92  | 82 | 3   | 3 |
| MRBCT-2025                 | 20  | 24   | 26   | 180 | 92  | 82 | 3   | 3 |
| MRBCT-2030                 | 20  | 28   | 30   | 180 | 92  | 82 | 3   | 3 |
| MRBCT-2515                 | 25  | 12   | 15   | 180 | 92  | 82 | 3   | 3 |
| MRBCT-2518                 | 25  | 33   | 35   | 180 | 92  | 82 | 3   | 3 |
| MRBCT-2522                 | 25  | 20   | 22   | 180 | 92  | 82 | 3   | 3 |
| MRBCT-2525                 | 25  | 24   | 26   | 180 | 92  | 82 | 3   | 3 |
| MRBCT-2530                 | 25  | 28   | 30   | 180 | 92  | 82 | 3   | 3 |
| MRBCT-3015                 | 30  | 12   | 15   | 180 | 92  | 82 | 3   | 3 |
| MRBCT-3018                 | 30  | 16   | 18   | 180 | 92  | 82 | 3   | 3 |
| MRBCT-3022                 | 30  | 20   | 22   | 180 | 92  | 82 | 3   | 3 |
| MRBCT-3025                 | 30  | 24   | 26   | 180 | 92  | 82 | 3   | 3 |
| MRBCT-3030                 | 30  | 28   | 30   | 180 | 92  | 82 | 3   | 3 |
| MRBCT-1632                 | 16  | 31   | 32   | 202 | 107 | 85 | 5   | 5 |
| MRBCT-1635                 | 16  | 33   | 35   | 202 | 107 | 85 | 5   | 5 |
| MRBCT-1638                 | 16  | 36   | 38   | 202 | 107 | 85 | 5   | 5 |
| MRBCT-2032                 | 20  | 31   | 32   | 202 | 107 | 85 | 5   | 5 |
| MRBCT-2035                 | 20  | 33   | 35   | 202 | 107 | 85 | 5   | 5 |
| MRBCT-2038                 | 20  | 36   | 38   | 202 | 107 | 85 | 5   | 5 |
| MRBCT-2532                 | 25  | 31   | 32   | 202 | 107 | 85 | 5   | 5 |
| MRBCT-2535                 | 25  | 33   | 35   | 202 | 107 | 85 | 5   | 5 |
| MRBCT-2538                 | 25  | 36   | 38   | 202 | 107 | 85 | 5   | 5 |
| MRBCT-2543                 | 25  | 40   | 43   | 202 | 107 | 85 | 5   | 5 |
| MRBCT-3032                 | 30  | 31   | 32   | 202 | 107 | 85 | 5   | 5 |
| MRBCT-3035                 | 30  | 33   | 35   | 202 | 107 | 85 | 5   | 5 |
| MRBCT-3038                 | 30  | 36   | 38   | 202 | 107 | 85 | 5   | 5 |
| MRBCT-3043                 | 30  | 40   | 43   | 202 | 107 | 85 | 5   | 5 |
| MRBCT-4015                 | 40  | 12   | 15   | 202 | 107 | 85 | 5   | 5 |
| MRBCT-4018                 | 40  | 16   | 18   | 202 | 107 | 85 | 5   | 5 |
| MRBCT-4022                 | 40  | 20   | 22   | 202 | 107 | 85 | 5   | 5 |
| MRBCT-4025                 | 40  | 24   | 26   | 202 | 107 | 85 | 5   | 5 |
| MRBCT-4030                 | 40  | 28   | 30   | 202 | 107 | 85 | 5   | 5 |
| MRBCT-4032                 | 40  | 31   | 32   | 202 | 107 | 85 | 5   | 5 |
| MRBCT-4035                 | 40  | 33   | 35   | 202 | 107 | 85 | 5   | 5 |
| MRBCT-4038                 | 40  | 36   | 38   | 202 | 107 | 85 | 5   | 5 |
| MRBCT-4043                 | 40  | 40   | 43   | 202 | 107 | 85 | 5   | 5 |
| MRBCT-5018                 | 50  | 16   | 18   | 195 | 100 | 82 | 5   | 3 |
| MRBCT-5022                 | 50  | 20   | 22   | 195 | 100 | 82 | 5   | 3 |
| MRBCT-5025                 | 50  | 24   | 26   | 195 | 100 | 82 | 5   | 3 |
| MRBCT-5030                 | 50  | 28   | 30   | 195 | 100 | 85 | 5   | 3 |
| MRBCT-5032                 | 50  | 31   | 32   | 198 | 100 | 85 | 5   | 5 |
| MRBCT-5035                 | 50  | 33   | 35   | 198 | 100 | 85 | 5   | 5 |
| MRBCT-5038                 | 50  | 36   | 38   | 198 | 100 | 85 | 5   | 5 |
| MRBCT-5043                 | 50  | 40   | 43   | 198 | 100 | 82 | 5   | 5 |
| MRBCT-6018                 | 60  | 16   | 18   | 195 | 100 | 82 | 5   | 3 |
| MRBCT-6022                 | 60  | 20   | 22   | 195 | 100 | 82 | 5   | 3 |
| MRBCT-6025                 | 60  | 24   | 26   | 195 | 100 | 82 | 5   | 3 |
| MRBCT-6030                 | 60  | 28   | 30   | 195 | 100 | 82 | 5   | 3 |
| MRBCT-6032                 | 60  | 31   | 32   | 200 | 100 | 85 | 5   | 5 |
| MRBCT-6035                 | 60  | 33   | 35   | 200 | 100 | 85 | 5   | 5 |
| MRBCT-6038                 | 60  | 36   | 38   | 200 | 100 | 85 | 5   | 5 |
| MRBCT-6043                 | 60  | 40   | 43   | 200 | 100 | 85 | 5   | 5 |

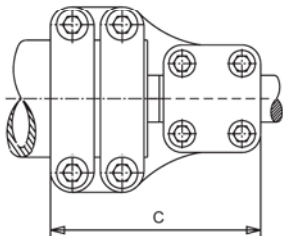
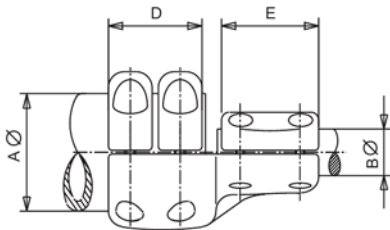
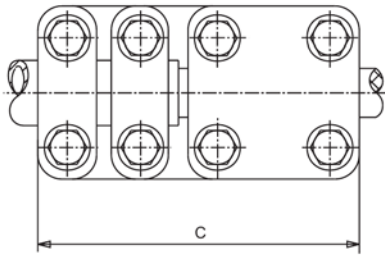
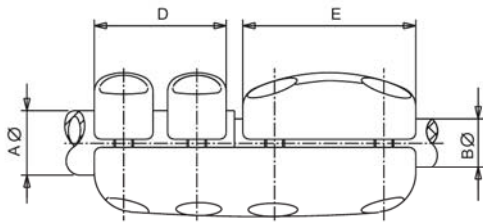






MRBTC3

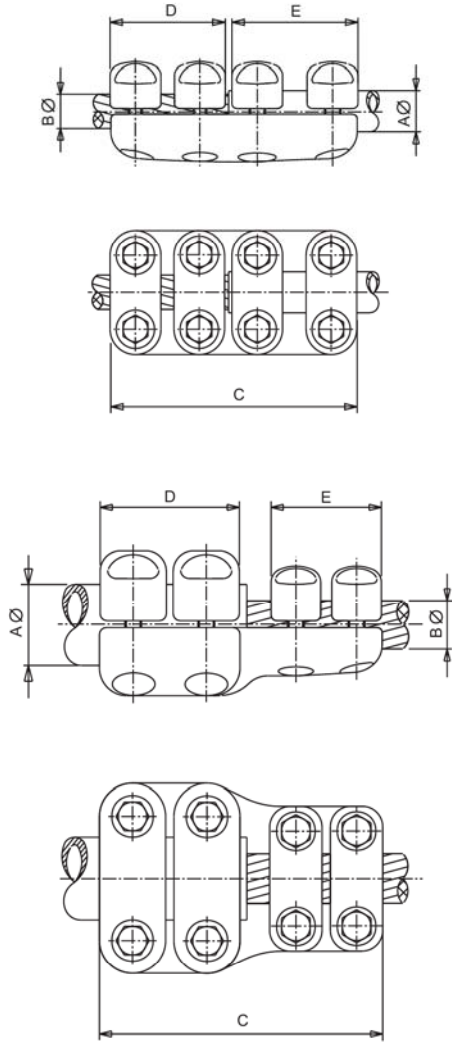
| Referencia<br>Code<br>Шифр | mm. |      |      |     |     | Par de apriete<br>Tightening torque<br>Момент затяжки<br>(kg.m) |
|----------------------------|-----|------|------|-----|-----|---|
|                            | Aø  | Bø   |      | C   | D   |   |
|                            |     | Mín. | Máx. |     |     |   |
| MRBTC3-3030                | 30  | 28   | 30   | 90  | 138 | 5   |
| MRBTC3-3032                | 30  | 31   | 32   | 90  | 138 | 5   |
| MRBTC3-3035                | 30  | 33   | 35   | 90  | 138 | 5   |
| MRBTC3-3038                | 30  | 36   | 38   | 90  | 138 | 5   |
| MRBTC3-3043                | 30  | 40   | 43   | 90  | 138 | 5   |
| MRBTC3-4030                | 40  | 28   | 30   | 90  | 138 | 5   |
| MRBTC3-4032                | 40  | 31   | 32   | 90  | 138 | 5   |
| MRBTC3-4035                | 40  | 33   | 35   | 90  | 138 | 5   |
| MRBTC3-4038                | 40  | 36   | 38   | 90  | 138 | 5   |
| MRBTC3-4043                | 40  | 40   | 43   | 90  | 138 | 5   |
| MRBTC3-5030                | 50  | 28   | 30   | 100 | 138 | 5   |
| MRBTC3-5032                | 50  | 31   | 32   | 100 | 138 | 5   |
| MRBTC3-5035                | 50  | 33   | 35   | 100 | 138 | 5   |
| MRBTC3-5038                | 50  | 36   | 38   | 100 | 138 | 5   |
| MRBTC3-5043                | 50  | 40   | 43   | 100 | 138 | 5   |
| MRBTC3-6030                | 60  | 28   | 30   | 100 | 138 | 5   |
| MRBTC3-6032                | 60  | 31   | 32   | 100 | 138 | 5   |
| MRBTC3-6035                | 60  | 33   | 35   | 100 | 138 | 5   |
| MRBTC3-6038                | 60  | 36   | 38   | 100 | 138 | 5   |
| MRBTC3-6043                | 60  | 40   | 43   | 100 | 138 | 5   |



MRBBT

| Referencia<br>Code<br>Шифр | mm.             |                 |     |     |     | Par de apriete<br>Tightening torque<br>Момент затяжки<br>(kg.m) |   |
|----------------------------|-----------------|-----------------|-----|-----|-----|---|---|
|                            | A $\varnothing$ | B $\varnothing$ | C   | D   | E   | A   | B |
| MRBBT-3030                 | 30              | 30              | 180 | 82  | 92  | 3   | 3 |
| MRBBT-4030                 | 40              | 30              | 202 | 85  | 107 | 5   | 5 |
| MRBBT-4050                 | 40              | 50              | 200 | 85  | 100 | 5   | 5 |
| MRBBT-4060                 | 40              | 60              | 200 | 85  | 100 | 5   | 5 |
| MRBBT-5030                 | 50              | 30              | 195 | 100 | 82  | 5   | 3 |
| MRBBT-5040                 | 50              | 40              | 200 | 100 | 85  | 5   | 5 |
| MRBBT-5060                 | 50              | 60              | 205 | 100 | 100 | 5   | 5 |
| MRBBT-6030                 | 60              | 30              | 195 | 100 | 82  | 5   | 3 |
| MRBBT-6040                 | 60              | 40              | 200 | 100 | 85  | 5   | 5 |
| MRBBT-6050                 | 60              | 50              | 205 | 100 | 100 | 5   | 5 |
| MRBBT-8030                 | 80              | 30              | 194 | 100 | 85  | 5   | 3 |
| MRBBT-8040                 | 80              | 40              | 200 | 100 | 90  | 5   | 5 |
| MRBBT-8050                 | 80              | 50              | 210 | 100 | 100 | 5   | 5 |
| MRBBT-8060                 | 80              | 60              | 210 | 100 | 100 | 5   | 5 |
| MRBBT-10030                | 100             | 30              | 205 | 100 | 90  | 5   | 5 |
| MRBBT-10040                | 100             | 40              | 205 | 100 | 90  | 5   | 5 |
| MRBBT-10050                | 100             | 50              | 210 | 100 | 100 | 5   | 5 |
| MRBBT-10060                | 100             | 60              | 210 | 100 | 100 | 5   | 5 |
| MRBBT-12030                | 120             | 30              | 210 | 110 | 90  | 7   | 5 |
| MRBBT-12040                | 120             | 40              | 210 | 110 | 90  | 7   | 5 |
| MRBBT-12050                | 120             | 50              | 220 | 110 | 100 | 7   | 5 |
| MRBBT-12060                | 120             | 60              | 220 | 110 | 100 | 7   | 5 |
| MRBBT-15030                | 150             | 30              | 230 | 120 | 90  | 7   | 5 |
| MRBBT-15040                | 150             | 40              | 230 | 120 | 90  | 7   | 5 |
| MRBBT-15050                | 150             | 50              | 245 | 120 | 100 | 7   | 5 |
| MRBBT-15060                | 150             | 60              | 245 | 120 | 100 | 7   | 5 |

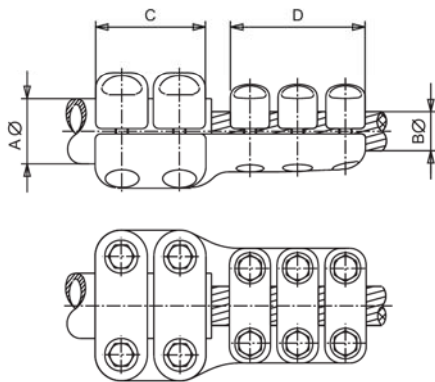




MRBC

| Referencia<br>Code<br>Шифр | mm. |      |      |     |     |    | Par de apriete<br>Tightening torque<br>Момент затяжки<br>(kg.m) |   |
|----------------------------|-----|------|------|-----|-----|----|---|---|
|                            | Aø  | Bø   |      | C   | D   | E  | A   | B |
|                            |     | Mín. | Máx. |     |     |    |   |   |
| MRBC-3015                  | 30  | 30   | 15   | 180 | 92  | 82 | 3   | 3 |
| MRBC-3018                  | 30  | 30   | 18   | 180 | 92  | 82 | 3   | 3 |
| MRBC-3022                  | 30  | 30   | 22   | 180 | 92  | 82 | 3   | 3 |
| MRBC-3025                  | 30  | 30   | 26   | 180 | 92  | 82 | 3   | 3 |
| MRBC-3030                  | 30  | 30   | 30   | 180 | 92  | 82 | 3   | 3 |
| MRBC-3032                  | 30  | 30   | 32   | 202 | 107 | 85 | 5   | 5 |
| MRBC-3035                  | 30  | 30   | 35   | 202 | 107 | 85 | 5   | 5 |
| MRBC-3038                  | 30  | 30   | 38   | 202 | 107 | 85 | 5   | 5 |
| MRBC-3043                  | 30  | 30   | 43   | 202 | 107 | 85 | 5   | 5 |
| MRBC-4015                  | 40  | 40   | 15   | 202 | 107 | 85 | 5   | 5 |
| MRBC-4018                  | 40  | 40   | 18   | 202 | 107 | 85 | 5   | 5 |
| MRBC-4022                  | 40  | 40   | 22   | 202 | 107 | 85 | 5   | 5 |
| MRBC-4025                  | 40  | 40   | 26   | 202 | 107 | 85 | 5   | 5 |
| MRBC-4030                  | 40  | 40   | 30   | 202 | 107 | 85 | 5   | 5 |
| MRBC-4032                  | 40  | 40   | 32   | 202 | 107 | 85 | 5   | 5 |
| MRBC-4035                  | 40  | 40   | 35   | 202 | 107 | 85 | 5   | 5 |
| MRBC-4038                  | 40  | 40   | 38   | 202 | 107 | 85 | 5   | 5 |
| MRBC-4043                  | 40  | 40   | 43   | 202 | 107 | 85 | 5   | 5 |
| MRBC-5018                  | 50  | 16   | 18   | 195 | 100 | 82 | 5   | 3 |
| MRBC-5022                  | 50  | 20   | 22   | 195 | 100 | 82 | 5   | 3 |
| MRBC-5025                  | 50  | 24   | 26   | 195 | 100 | 82 | 5   | 3 |
| MRBC-5030                  | 50  | 28   | 30   | 195 | 100 | 82 | 5   | 3 |
| MRBC-5032                  | 50  | 31   | 32   | 198 | 100 | 85 | 5   | 5 |
| MRBC-5035                  | 50  | 33   | 35   | 198 | 100 | 85 | 5   | 5 |
| MRBC-5038                  | 50  | 36   | 38   | 198 | 100 | 85 | 5   | 5 |
| MRBC-5043                  | 50  | 40   | 43   | 198 | 100 | 85 | 5   | 5 |
| MRBC-6018                  | 60  | 16   | 18   | 195 | 100 | 82 | 5   | 3 |
| MRBC-6022                  | 60  | 20   | 22   | 195 | 100 | 82 | 5   | 3 |
| MRBC-6025                  | 60  | 24   | 26   | 195 | 100 | 82 | 5   | 2 |
| MRBC-6030                  | 60  | 28   | 30   | 195 | 100 | 82 | 5   | 2 |
| MRBC-6032                  | 60  | 31   | 32   | 200 | 100 | 85 | 5   | 5 |
| MRBC-6035                  | 60  | 33   | 35   | 200 | 100 | 85 | 5   | 5 |
| MRBC-6038                  | 60  | 36   | 38   | 200 | 100 | 85 | 5   | 5 |
| MRBC-6043                  | 60  | 40   | 43   | 200 | 100 | 85 | 5   | 5 |
| MRBC-8022                  | 80  | 20   | 22   | 194 | 100 | 85 | 5   | 3 |
| MRBC-8025                  | 80  | 24   | 26   | 194 | 100 | 85 | 5   | 2 |
| MRBC-8030                  | 80  | 28   | 30   | 194 | 100 | 85 | 5   | 2 |
| MRBC-8032                  | 80  | 31   | 32   | 200 | 100 | 90 | 5   | 5 |
| MRBC-8035                  | 80  | 33   | 35   | 200 | 100 | 90 | 5   | 5 |
| MRBC-8038                  | 80  | 36   | 38   | 200 | 100 | 90 | 5   | 5 |
| MRBC-8043                  | 80  | 40   | 43   | 200 | 100 | 90 | 5   | 5 |
| MRBC-10022                 | 100 | 20   | 22   | 205 | 100 | 90 | 5   | 5 |
| MRBC-10025                 | 100 | 24   | 26   | 205 | 100 | 90 | 5   | 5 |
| MRBC-10030                 | 100 | 28   | 30   | 205 | 100 | 90 | 5   | 5 |
| MRBC-10032                 | 100 | 31   | 32   | 205 | 100 | 90 | 5   | 5 |
| MRBC-10035                 | 100 | 33   | 35   | 205 | 100 | 90 | 5   | 5 |
| MRBC-10038                 | 100 | 36   | 38   | 205 | 100 | 90 | 5   | 5 |
| MRBC-10043                 | 100 | 40   | 43   | 205 | 100 | 90 | 5   | 5 |
| MRBC-12030                 | 120 | 28   | 30   | 210 | 110 | 90 | 7   | 5 |
| MRBC-12032                 | 120 | 31   | 32   | 210 | 110 | 90 | 7   | 5 |
| MRBC-12035                 | 120 | 33   | 35   | 210 | 110 | 90 | 7   | 5 |
| MRBC-12038                 | 120 | 36   | 38   | 210 | 110 | 90 | 7   | 5 |
| MRBC-12043                 | 120 | 40   | 43   | 210 | 110 | 90 | 7   | 5 |
| MRBC-15032                 | 150 | 31   | 32   | 230 | 120 | 90 | 7   | 5 |
| MRBC-15035                 | 150 | 33   | 35   | 230 | 120 | 90 | 7   | 5 |
| MRBC-15038                 | 150 | 36   | 38   | 230 | 120 | 90 | 7   | 5 |
| MRBC-15043                 | 150 | 40   | 43   | 230 | 120 | 90 | 7   | 5 |





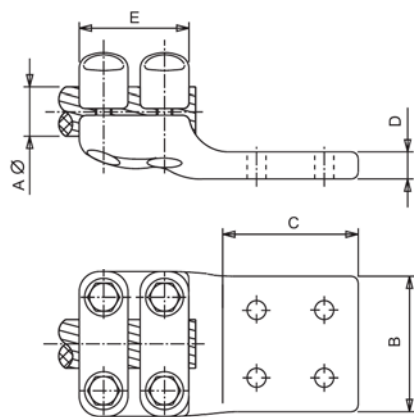
MRBC3

| Referencia<br>Code<br>Шифр | mm.             |                 |      |     |     | Par de apriete<br>Tightening torque<br>Момент затяжки<br>(kg.m) |   |
|----------------------------|-----------------|-----------------|------|-----|-----|---|---|
|                            | A $\varnothing$ | B $\varnothing$ |      | C   | D   | A   | B |
|                            |                 | Mín.            | Máx. |     |     |   |   |
| MRBC 3-3030                | 30              | 28              | 30   | 90  | 138 | 5   | 5 |
| MRBC 3-3032                | 30              | 31              | 32   | 90  | 138 | 5   | 5 |
| MRBC 3-3035                | 30              | 33              | 35   | 90  | 138 | 5   | 5 |
| MRBC 3-3038                | 30              | 36              | 38   | 90  | 138 | 5   | 5 |
| MRBC 3-3043                | 30              | 40              | 43   | 90  | 138 | 5   | 5 |
| MRBC 3-4030                | 40              | 28              | 30   | 90  | 138 | 5   | 5 |
| MRBC 3-4032                | 40              | 31              | 32   | 90  | 138 | 5   | 5 |
| MRBC 3-4035                | 40              | 33              | 35   | 90  | 138 | 5   | 5 |
| MRBC 3-4038                | 40              | 36              | 38   | 90  | 138 | 5   | 5 |
| MRBC 3-4043                | 40              | 40              | 43   | 90  | 138 | 5   | 5 |
| MRBC 3-5030                | 50              | 28              | 30   | 100 | 138 | 5   | 5 |
| MRBC 3-5032                | 50              | 31              | 32   | 100 | 138 | 5   | 5 |
| MRBC 3-5035                | 50              | 33              | 35   | 100 | 138 | 5   | 5 |
| MRBC 3-5038                | 50              | 36              | 38   | 100 | 138 | 5   | 5 |
| MRBC 3-5043                | 50              | 40              | 43   | 100 | 138 | 5   | 5 |
| MRBC 3-6030                | 60              | 28              | 30   | 100 | 138 | 5   | 5 |
| MRBC 3-6032                | 60              | 31              | 32   | 100 | 138 | 5   | 5 |
| MRBC 3-6035                | 60              | 33              | 35   | 100 | 138 | 5   | 5 |
| MRBC 3-6038                | 60              | 36              | 38   | 100 | 138 | 5   | 5 |
| MRBC 3-6043                | 60              | 40              | 43   | 100 | 138 | 5   | 5 |
| MRBC 3-8030                | 80              | 28              | 30   | 100 | 138 | 5   | 5 |
| MRBC 3-8032                | 80              | 31              | 32   | 100 | 138 | 5   | 5 |
| MRBC 3-8035                | 80              | 33              | 35   | 100 | 138 | 5   | 5 |
| MRBC 3-8038                | 80              | 36              | 38   | 100 | 138 | 5   | 5 |
| MRBC 3-8043                | 80              | 40              | 43   | 100 | 138 | 5   | 5 |
| MRBC 3-10030               | 100             | 28              | 30   | 100 | 138 | 5   | 5 |
| MRBC 3-10032               | 100             | 31              | 32   | 100 | 138 | 5   | 5 |
| MRBC 3-10035               | 100             | 33              | 35   | 100 | 138 | 5   | 5 |
| MRBC 3-10038               | 100             | 36              | 38   | 100 | 138 | 5   | 5 |
| MRBC 3-10043               | 100             | 40              | 43   | 100 | 138 | 5   | 5 |
| MRBC 3-12030               | 120             | 28              | 30   | 110 | 138 | 7   | 5 |
| MRBC 3-12032               | 120             | 31              | 32   | 110 | 138 | 7   | 5 |
| MRBC 3-12035               | 120             | 33              | 35   | 110 | 138 | 7   | 5 |
| MRBC 3-12038               | 120             | 36              | 38   | 110 | 138 | 7   | 5 |
| MRBC 3-12043               | 120             | 40              | 43   | 110 | 138 | 7   | 5 |
| MRBC 3-15032               | 150             | 31              | 32   | 120 | 138 | 7   | 5 |
| MRBC 3-15035               | 150             | 33              | 35   | 120 | 138 | 7   | 5 |
| MRBC 3-15038               | 150             | 36              | 38   | 120 | 138 | 7   | 5 |
| MRBC 3-15043               | 150             | 40              | 43   | 120 | 138 | 7   | 5 |



STRAIGHT CONNECTOR UNION CABLE TO FLATBAR

ПРЯМОЙ ЗАЖИМ ДЛЯ ПРИСОЕДИНЕНИЯ ПРОВОДА К  
АППАРАТАМ



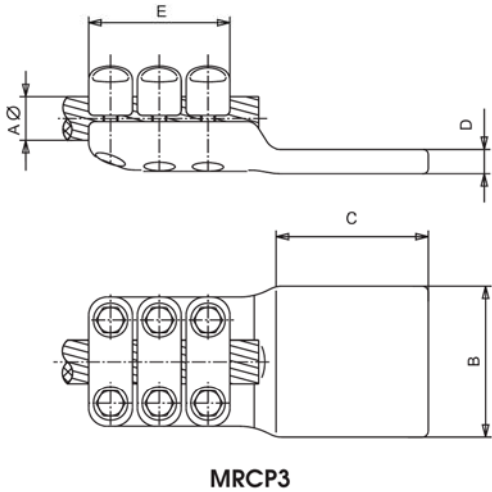
MRCP

| Referencia<br>Code<br>Шифр | mm.             |      |     |     |    |    | Par de apriete<br>Tightening torque<br>Момент затяжки<br>(kg.m) |
|----------------------------|-----------------|------|-----|-----|----|----|---|
|                            | A $\varnothing$ |      | B   | C   | D  | E  |   |
|                            | Mín.            | Máx. |     |     |    |    |   |
| MRCP-1533                  | 12              | 15   | 50  | 50  | 20 | 82 | 3   |
| MRCP-1535                  | 12              | 15   | 50  | 80  | 20 | 82 | 3   |
| MRCP-1544                  | 12              | 15   | 60  | 60  | 20 | 82 | 3   |
| MRCP-1546                  | 12              | 15   | 60  | 100 | 20 | 82 | 3   |
| MRCP-1555                  | 12              | 15   | 80  | 80  | 20 | 82 | 3   |
| MRCP-1566                  | 12              | 15   | 100 | 100 | 20 | 82 | 3   |
| MRCP-1588                  | 12              | 15   | 125 | 125 | 20 | 82 | 3   |
| MRCP-1833                  | 16              | 18   | 50  | 50  | 20 | 82 | 3   |
| MRCP-1835                  | 16              | 18   | 50  | 80  | 20 | 82 | 3   |
| MRCP-1844                  | 16              | 18   | 60  | 60  | 20 | 82 | 3   |
| MRCP-1846                  | 16              | 18   | 60  | 100 | 20 | 82 | 3   |
| MRCP-1855                  | 16              | 18   | 80  | 80  | 20 | 82 | 3   |
| MRCP-1866                  | 16              | 18   | 100 | 100 | 20 | 82 | 3   |
| MRCP-1888                  | 16              | 18   | 125 | 125 | 20 | 82 | 3   |
| MRCP-2233                  | 20              | 22   | 50  | 50  | 20 | 82 | 3   |
| MRCP-2235                  | 20              | 22   | 50  | 80  | 20 | 82 | 3   |
| MRCP-2244                  | 20              | 22   | 60  | 60  | 20 | 82 | 3   |
| MRCP-2246                  | 20              | 22   | 60  | 100 | 20 | 82 | 3   |
| MRCP-2255                  | 20              | 22   | 80  | 80  | 20 | 82 | 3   |
| MRCP-2266                  | 20              | 22   | 100 | 100 | 20 | 82 | 3   |
| MRCP-2288                  | 20              | 22   | 125 | 125 | 20 | 82 | 3   |
| MRCP-2533                  | 24              | 26   | 50  | 50  | 20 | 82 | 3   |
| MRCP-2535                  | 24              | 26   | 50  | 80  | 20 | 82 | 3   |
| MRCP-2544                  | 24              | 26   | 60  | 60  | 20 | 82 | 3   |
| MRCP-2546                  | 24              | 26   | 60  | 100 | 20 | 82 | 3   |
| MRCP-2555                  | 24              | 26   | 80  | 80  | 20 | 82 | 3   |
| MRCP-2566                  | 24              | 26   | 100 | 100 | 20 | 82 | 3   |
| MRCP-2588                  | 24              | 26   | 125 | 125 | 20 | 82 | 3   |
| MRCP-3033                  | 28              | 30   | 50  | 50  | 20 | 82 | 3   |
| MRCP-3035                  | 28              | 30   | 50  | 80  | 20 | 82 | 3   |
| MRCP-3044                  | 28              | 30   | 60  | 60  | 20 | 82 | 3   |
| MRCP-3046                  | 28              | 30   | 60  | 100 | 20 | 82 | 3   |
| MRCP-3055                  | 28              | 30   | 80  | 80  | 20 | 82 | 3   |
| MRCP-3066                  | 28              | 30   | 100 | 100 | 20 | 82 | 3   |
| MRCP-3088                  | 28              | 30   | 125 | 125 | 20 | 82 | 3   |
| MRCP-3233                  | 31              | 32   | 50  | 50  | 20 | 85 | 5   |
| MRCP-3235                  | 31              | 32   | 50  | 80  | 20 | 85 | 5   |
| MRCP-3244                  | 31              | 32   | 60  | 60  | 20 | 85 | 5   |
| MRCP-3246                  | 31              | 32   | 60  | 100 | 20 | 85 | 5   |
| MRCP-3255                  | 31              | 32   | 80  | 80  | 20 | 85 | 5   |
| MRCP-3266                  | 31              | 32   | 100 | 100 | 20 | 85 | 5   |
| MRCP-3288                  | 31              | 32   | 125 | 125 | 20 | 85 | 5   |
| MRCP-3533                  | 33              | 35   | 50  | 50  | 20 | 85 | 5   |
| MRCP-3535                  | 33              | 35   | 50  | 80  | 20 | 85 | 5   |
| MRCP-3544                  | 33              | 35   | 60  | 60  | 20 | 85 | 5   |
| MRCP-3546                  | 33              | 35   | 60  | 100 | 20 | 85 | 5   |
| MRCP-3555                  | 33              | 35   | 80  | 80  | 20 | 85 | 5   |
| MRCP-3566                  | 33              | 35   | 100 | 100 | 20 | 85 | 5   |
| MRCP-3588                  | 33              | 35   | 125 | 125 | 20 | 85 | 5   |
| MRCP-3833                  | 36              | 38   | 50  | 50  | 20 | 85 | 5   |
| MRCP-3835                  | 36              | 38   | 50  | 80  | 20 | 85 | 5   |
| MRCP-3844                  | 36              | 38   | 60  | 60  | 20 | 85 | 5   |
| MRCP-3846                  | 36              | 38   | 60  | 100 | 20 | 85 | 5   |
| MRCP-3855                  | 36              | 38   | 80  | 80  | 20 | 85 | 5   |
| MRCP-3866                  | 36              | 38   | 100 | 100 | 20 | 85 | 5   |
| MRCP-3888                  | 36              | 38   | 125 | 125 | 20 | 85 | 5   |
| MRCP-4333                  | 40              | 43   | 50  | 50  | 20 | 85 | 5   |
| MRCP-4335                  | 40              | 43   | 50  | 80  | 20 | 85 | 5   |
| MRCP-4344                  | 40              | 43   | 60  | 60  | 20 | 85 | 5   |
| MRCP-4346                  | 40              | 43   | 60  | 100 | 20 | 85 | 5   |
| MRCP-4355                  | 40              | 43   | 80  | 80  | 20 | 85 | 5   |
| MRCP-4366                  | 40              | 43   | 100 | 100 | 20 | 85 | 5   |
| MRCP-4388                  | 40              | 43   | 125 | 125 | 20 | 85 | 5   |



STRAIGHT CONNECTOR CABLE TO FLATBAR

ПРЯМОЙ ЗАЖИМ ДЛЯ ПРИСОЕДИНЕНИЯ ПРОВОДА К  
АППАРАТАМ



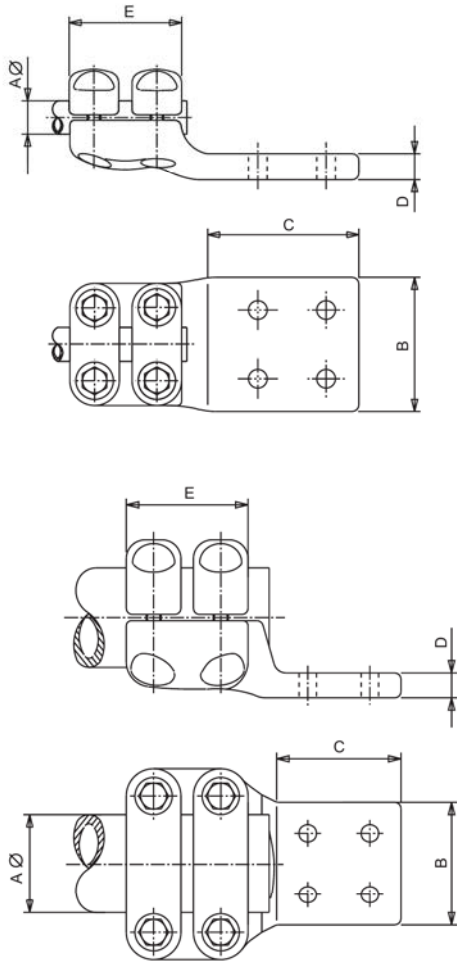
| Referencia<br>Code<br>Шифр | mm.             |      |     |     |    |     | Par de apriete<br>Tightening torque<br>Момент затяжки<br>(kg.m) |
|----------------------------|-----------------|------|-----|-----|----|-----|---|
|                            | A $\varnothing$ |      | B   | C   | D  | E   |   |
|                            | Mín.            | Máx. |     |     |    |     |   |
| MRC P3-3055                | 28              | 30   | 80  | 80  | 20 | 120 | 3   |
| MRC P3-3066                | 28              | 30   | 100 | 100 | 20 | 120 | 3   |
| MRC P3-3088                | 28              | 30   | 125 | 125 | 20 | 120 | 3   |
| MRC P3-30106               | 28              | 30   | 200 | 100 | 20 | 120 | 3   |
| MRC P3-3255                | 31              | 32   | 80  | 80  | 20 | 120 | 3   |
| MRC P3-3266                | 31              | 32   | 100 | 100 | 20 | 120 | 3   |
| MRC P3-3288                | 31              | 32   | 125 | 125 | 20 | 120 | 3   |
| MRC P3-32106               | 31              | 32   | 200 | 100 | 20 | 120 | 3   |
| MRC P3-3555                | 33              | 35   | 80  | 80  | 20 | 120 | 3   |
| MRC P3-3566                | 33              | 35   | 100 | 100 | 20 | 120 | 3   |
| MRC P3-3588                | 33              | 35   | 125 | 125 | 20 | 120 | 3   |
| MRC P3-35106               | 33              | 35   | 200 | 100 | 20 | 120 | 3   |
| MRC P3-3855                | 36              | 38   | 80  | 80  | 20 | 120 | 3   |
| MRC P3-3866                | 36              | 38   | 100 | 100 | 20 | 120 | 3   |
| MRC P3-3888                | 36              | 38   | 125 | 125 | 20 | 120 | 3   |
| MRC P3-38106               | 36              | 38   | 200 | 100 | 20 | 120 | 3   |
| MRC P3-4355                | 40              | 43   | 80  | 80  | 20 | 120 | 3   |
| MRC P3-4366                | 40              | 43   | 100 | 100 | 20 | 120 | 3   |
| MRC P3-4388                | 40              | 43   | 125 | 125 | 20 | 120 | 3   |
| MRC P3-43106               | 40              | 43   | 200 | 100 | 20 | 120 | 3   |



STRAIGHT CONNECTOR TUBE TO FLATBAR

ПРЯМОЙ ЗАЖИМ ДЛЯ ПРИСОЕДИНЕНИЯ ТРУБЫ К

АППАРАТАМ



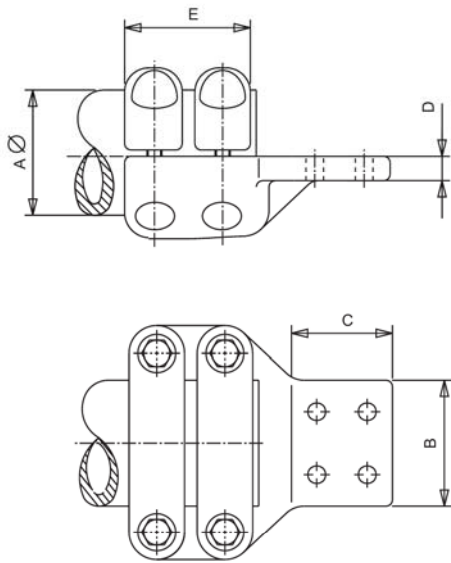
MRBP

| Referencia<br>Code<br>Шифр | mm.             |     |     |    |     | Par de apriete<br>Tightening torque<br>Момент затяжки<br>(kg.m) |
|----------------------------|-----------------|-----|-----|----|-----|---|
|                            | A $\varnothing$ | B   | C   | D  | E   |   |
| MRBP-3033                  | 30              | 50  | 50  | 20 | 82  | 3   |
| MRBP-3035                  | 30              | 50  | 80  | 20 | 82  | 3   |
| MRBP-3044                  | 30              | 60  | 60  | 20 | 82  | 3   |
| MRBP-3055                  | 30              | 80  | 80  | 20 | 82  | 3   |
| MRBP-3066                  | 30              | 100 | 100 | 20 | 82  | 3   |
| MRBP-3088                  | 30              | 125 | 125 | 15 | 82  | 3   |
| MRBP-30106                 | 30              | 200 | 100 | 15 | 82  | 3   |
| MRBP-4033                  | 40              | 50  | 50  | 20 | 85  | 5   |
| MRBP-4035                  | 40              | 50  | 80  | 20 | 85  | 5   |
| MRBP-4044                  | 40              | 60  | 60  | 20 | 85  | 5   |
| MRBP-4055                  | 40              | 80  | 80  | 20 | 85  | 5   |
| MRBP-4066                  | 40              | 100 | 100 | 20 | 85  | 5   |
| MRBP-4088                  | 40              | 125 | 125 | 15 | 85  | 5   |
| MRBP-40106                 | 40              | 200 | 100 | 15 | 85  | 5   |
| MRBP-5044                  | 50              | 60  | 60  | 20 | 100 | 5   |
| MRBP-5055                  | 50              | 80  | 80  | 20 | 100 | 5   |
| MRBP-5066                  | 50              | 100 | 100 | 20 | 100 | 5   |
| MRBP-5088                  | 50              | 125 | 125 | 20 | 100 | 5   |
| MRBP-6044                  | 60              | 60  | 60  | 20 | 100 | 5   |
| MRBP-6055                  | 60              | 80  | 80  | 20 | 100 | 5   |
| MRBP-6066                  | 60              | 100 | 100 | 20 | 100 | 5   |
| MRBP-6088                  | 60              | 125 | 125 | 20 | 100 | 5   |
| MRBP-8055                  | 80              | 80  | 80  | 20 | 100 | 5   |
| MRBP-8066                  | 80              | 100 | 100 | 20 | 100 | 5   |
| MRBP-8088                  | 80              | 125 | 125 | 20 | 100 | 5   |
| MRBP-10055                 | 100             | 80  | 80  | 20 | 100 | 5   |
| MRBP-10066                 | 100             | 100 | 100 | 20 | 100 | 5   |
| MRBP-10088                 | 100             | 125 | 125 | 20 | 100 | 5   |



### STRAIGHT CONNECTOR UNION TUBE TO FLATBAR IN AXIS

#### ПРЯМОЙ ЗАЖИМ ДЛЯ ПРИСОЕДИНЕНИЯ ТРУБЫ К АППАРАТАМ

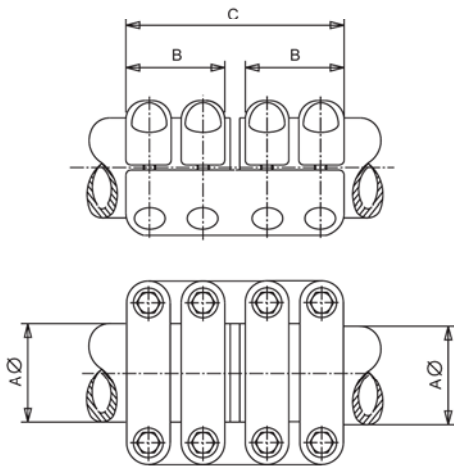


MRBPE

| Referencia<br>Code<br>Шифр | mm. |     |     |    |     | Par de apriete<br>Tightening torque<br>Момент затяжки<br>(kg.m) |
|----------------------------|-----|-----|-----|----|-----|---|
|                            | A Ø | B   | C   | D  | E   |   |
| MRBPE-10055                | 100 | 80  | 80  | 20 | 100 | 5   |
| MRBPE-10066                | 100 | 100 | 100 | 20 | 100 | 5   |
| MRBPE-10088                | 100 | 125 | 125 | 20 | 100 | 5   |
| MRBPE-12055                | 120 | 80  | 80  | 20 | 110 | 7   |
| MRBPE-12066                | 120 | 100 | 100 | 20 | 110 | 7   |
| MRBPE-12088                | 120 | 125 | 125 | 20 | 110 | 7   |
| MRBPE-15066                | 150 | 100 | 100 | 20 | 120 | 7   |
| MRBPE-15088                | 150 | 125 | 125 | 20 | 120 | 7   |

### STRAIGHT CONNECTOR FOR TUBES UNION

#### ПРЯМОЙ ЗАЖИМ ДЛЯ СОЕДИНЕНИЯ ТРУБ



MRBB

| Referencia<br>Code<br>Шифр | mm. |     |     | Par de apriete<br>Tightening torque<br>Момент затяжки<br>(kg.m) |
|----------------------------|-----|-----|-----|---|
|                            | A Ø | B   | C   |   |
| MRBB-5050                  | 50  | 100 | 210 | 5   |
| MRBB-6060                  | 60  | 100 | 210 | 5   |
| MRBB-8080                  | 80  | 100 | 210 | 5   |
| MRBB-100100                | 100 | 100 | 220 | 5   |
| MRBB-120120                | 120 | 110 | 260 | 7   |
| MRBB-150150                | 150 | 120 | 270 | 7   |
| MRBB-200200                | 200 | 120 | 270 | 7   |
| MRBB-250250                | 250 | 128 | 290 | 7   |





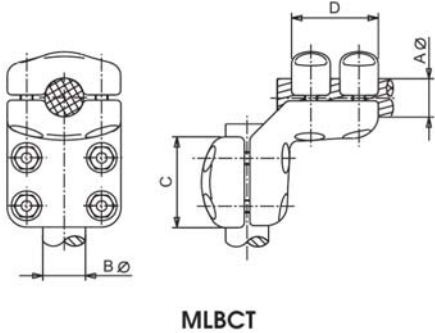


BEND CONNECTORS  
ПРЯМОУГОЛЬНЫЕ ЗАЖИМЫ  
RACCORDS COUDES



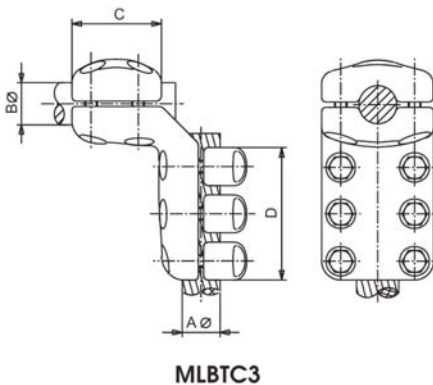
L CONNECTOR STUD TO CABLE

L-ОБРАЗНЫЙ ЗАЖИМ ДЛЯ СОЕДИНЕНИЯ СТЕРЖНЯ С ПРОВОДОМ



MLBCT

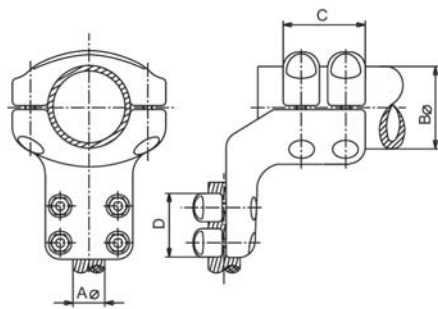
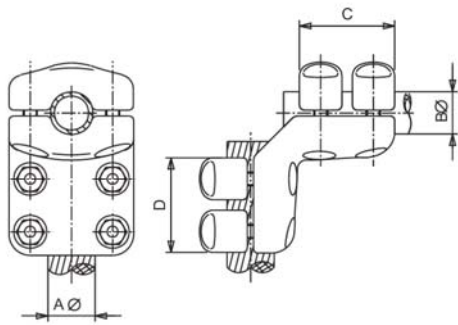
| Referencia<br>Code<br>Шифр | mm.  |      |    |     |    | Par de apriete<br>Tightening torque<br>Момент затяжки<br>(kg.m) |
|----------------------------|------|------|----|-----|----|---|
|                            | Aø   |      | Bø | C   | D  |   |
|                            | Mín. | Máx. |    |     |    |   |
| MLBCT-2515                 | 12   | 15   | 25 | 85  | 85 | 5   |
| MLBCT-2518                 | 16   | 19   | 25 | 85  | 85 | 5   |
| MLBCT-2522                 | 20   | 23   | 25 | 85  | 85 | 5   |
| MLBCT-2525                 | 24   | 26   | 25 | 85  | 85 | 5   |
| MLBCT-3015                 | 12   | 15   | 30 | 85  | 85 | 5   |
| MLBCT-3018                 | 16   | 19   | 30 | 85  | 85 | 5   |
| MLBCT-3022                 | 20   | 23   | 30 | 85  | 85 | 5   |
| MLBCT-3025                 | 24   | 26   | 30 | 85  | 85 | 5   |
| MLBCT-3030                 | 27   | 30   | 30 | 85  | 85 | 5   |
| MLBCT-3032                 | 31   | 32   | 30 | 85  | 85 | 5   |
| MLBCT-3035                 | 33   | 35   | 30 | 85  | 85 | 5   |
| MLBCT-3038                 | 36   | 39   | 30 | 85  | 85 | 5   |
| MLBCT-3043                 | 40   | 43   | 30 | 85  | 85 | 5   |
| MLBCT-4015                 | 12   | 15   | 40 | 85  | 85 | 5   |
| MLBCT-4018                 | 16   | 19   | 40 | 85  | 85 | 5   |
| MLBCT-4022                 | 20   | 23   | 40 | 85  | 85 | 5   |
| MLBCT-4025                 | 24   | 26   | 40 | 85  | 85 | 5   |
| MLBCT-4030                 | 27   | 30   | 40 | 85  | 85 | 5   |
| MLBCT-4032                 | 31   | 32   | 40 | 85  | 85 | 5   |
| MLBCT-4035                 | 33   | 35   | 40 | 85  | 85 | 5   |
| MLBCT-4038                 | 36   | 39   | 40 | 85  | 85 | 5   |
| MLBCT-4043                 | 40   | 43   | 40 | 85  | 85 | 5   |
| MLBCT-5025                 | 24   | 26   | 50 | 100 | 85 | 5   |
| MLBCT-5030                 | 27   | 30   | 50 | 100 | 85 | 5   |
| MLBCT-5032                 | 31   | 32   | 50 | 100 | 85 | 5   |
| MLBCT-5035                 | 33   | 35   | 50 | 100 | 85 | 5   |
| MLBCT-5038                 | 36   | 39   | 50 | 100 | 85 | 5   |
| MLBCT-5043                 | 40   | 43   | 50 | 100 | 85 | 5   |
| MLBCT-6025                 | 24   | 26   | 60 | 100 | 85 | 5   |
| MLBCT-6030                 | 27   | 30   | 60 | 100 | 85 | 5   |
| MLBCT-6032                 | 31   | 32   | 60 | 100 | 85 | 5   |
| MLBCT-6035                 | 33   | 35   | 60 | 100 | 85 | 5   |
| MLBCT-6038                 | 36   | 39   | 60 | 100 | 85 | 5   |
| MLBCT-6043                 | 40   | 43   | 60 | 100 | 85 | 5   |



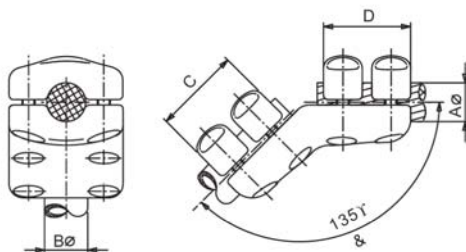
MLBTC3

| Referencia<br>Code<br>Шифр | mm.  |      |    |     |     | Par de apriete<br>Tightening torque<br>Момент затяжки<br>(kg.m) |
|----------------------------|------|------|----|-----|-----|---|
|                            | Aø   |      | Bø | C   | D   |   |
|                            | Mín. | Máx. |    |     |     |   |
| MLBTC3-3030                | 27   | 30   | 30 | 90  | 138 | 5   |
| MLBTC3-3032                | 31   | 32   | 30 | 90  | 138 | 5   |
| MLBTC3-3035                | 33   | 35   | 30 | 90  | 138 | 5   |
| MLBTC3-3038                | 36   | 39   | 30 | 90  | 138 | 5   |
| MLBTC3-3043                | 40   | 43   | 30 | 90  | 138 | 5   |
| MLBTC3-4030                | 27   | 30   | 40 | 90  | 138 | 5   |
| MLBTC3-4032                | 31   | 32   | 40 | 90  | 138 | 5   |
| MLBTC3-4035                | 33   | 35   | 40 | 90  | 138 | 5   |
| MLBTC3-4038                | 36   | 39   | 40 | 90  | 138 | 5   |
| MLBTC3-4043                | 40   | 43   | 40 | 90  | 138 | 5   |
| MLBTC3-5030                | 27   | 30   | 50 | 100 | 138 | 5   |
| MLBTC3-5032                | 31   | 32   | 50 | 100 | 138 | 5   |
| MLBTC3-5035                | 33   | 35   | 50 | 100 | 138 | 5   |
| MLBTC3-5038                | 36   | 39   | 50 | 100 | 138 | 5   |
| MLBTC3-5043                | 40   | 43   | 50 | 100 | 138 | 5   |
| MLBTC3-6030                | 27   | 30   | 60 | 100 | 138 | 5   |
| MLBTC3-6032                | 31   | 32   | 60 | 100 | 138 | 5   |
| MLBTC3-6035                | 33   | 35   | 60 | 100 | 138 | 5   |
| MLBTC3-6038                | 36   | 39   | 60 | 100 | 138 | 5   |
| MLBTC3-6043                | 40   | 43   | 60 | 100 | 138 | 5   |





MLBC



MLBC45°

| Referencia<br>Code<br>Шифр | mm.             |      |                 |     |    | Par de apriete<br>Tightening torque<br>Момент затяжки<br>(Kgm.) |   |
|----------------------------|-----------------|------|-----------------|-----|----|---|---|
|                            | A $\varnothing$ |      | B $\varnothing$ | C   | D  | A   | B |
|                            | Mín.            | Máx. |                 |     |    |   |   |
| MLBC-3015                  | 12              | 15   | 30              | 85  | 85 | 5   | 5 |
| MLBC-3018                  | 16              | 19   | 30              | 85  | 85 | 5   | 5 |
| MLBC-3022                  | 20              | 23   | 30              | 85  | 85 | 5   | 5 |
| MLBC-3025                  | 24              | 26   | 30              | 85  | 85 | 5   | 5 |
| MLBC-3030                  | 27              | 30   | 30              | 85  | 85 | 5   | 5 |
| MLBC-3032                  | 31              | 32   | 30              | 85  | 85 | 5   | 5 |
| MLBC-3035                  | 33              | 35   | 30              | 85  | 85 | 5   | 5 |
| MLBC-3038                  | 36              | 39   | 30              | 85  | 85 | 5   | 5 |
| MLBC-3043                  | 40              | 43   | 30              | 85  | 85 | 5   | 5 |
| MLBC-4015                  | 12              | 15   | 40              | 85  | 85 | 5   | 5 |
| MLBC-4018                  | 16              | 19   | 40              | 85  | 85 | 5   | 5 |
| MLBC-4022                  | 20              | 23   | 40              | 85  | 85 | 5   | 5 |
| MLBC-4025                  | 24              | 26   | 40              | 85  | 85 | 5   | 5 |
| MLBC-4030                  | 27              | 30   | 40              | 85  | 85 | 5   | 5 |
| MLBC-4032                  | 31              | 32   | 40              | 85  | 85 | 5   | 5 |
| MLBC-4035                  | 33              | 35   | 40              | 85  | 85 | 5   | 5 |
| MLBC-4038                  | 36              | 39   | 40              | 85  | 85 | 5   | 5 |
| MLBC-4043                  | 40              | 43   | 40              | 85  | 85 | 5   | 5 |
| MLBC-5025                  | 24              | 26   | 50              | 100 | 85 | 5   | 5 |
| MLBC-5030                  | 27              | 30   | 50              | 100 | 85 | 5   | 5 |
| MLBC-5032                  | 31              | 32   | 50              | 100 | 85 | 5   | 5 |
| MLBC-5035                  | 33              | 35   | 50              | 100 | 85 | 5   | 5 |
| MLBC-5038                  | 36              | 39   | 50              | 100 | 85 | 5   | 5 |
| MLBC-5043                  | 40              | 43   | 50              | 100 | 85 | 5   | 5 |
| MLBC-6025                  | 24              | 26   | 60              | 100 | 85 | 5   | 5 |
| MLBC-6030                  | 27              | 30   | 60              | 100 | 85 | 5   | 5 |
| MLBC-6032                  | 31              | 32   | 60              | 100 | 85 | 5   | 5 |
| MLBC-6035                  | 33              | 35   | 60              | 100 | 85 | 5   | 5 |
| MLBC-6038                  | 36              | 39   | 60              | 100 | 85 | 5   | 5 |
| MLBC-6043                  | 40              | 43   | 60              | 100 | 85 | 5   | 5 |
| MLBC-8025                  | 24              | 26   | 80              | 100 | 85 | 5   | 5 |
| MLBC-8030                  | 27              | 30   | 80              | 100 | 85 | 5   | 5 |
| MLBC-8032                  | 31              | 32   | 80              | 100 | 85 | 5   | 5 |
| MLBC-8035                  | 33              | 35   | 80              | 100 | 85 | 5   | 5 |
| MLBC-8038                  | 36              | 39   | 80              | 100 | 85 | 5   | 5 |
| MLBC-8043                  | 40              | 43   | 80              | 100 | 85 | 5   | 5 |
| MLBC-10030                 | 27              | 30   | 100             | 100 | 85 | 5   | 5 |
| MLBC-10032                 | 31              | 32   | 100             | 100 | 85 | 5   | 5 |
| MLBC-10035                 | 33              | 35   | 100             | 100 | 85 | 5   | 5 |
| MLBC-10038                 | 36              | 39   | 100             | 100 | 85 | 5   | 5 |
| MLBC-10043                 | 40              | 43   | 100             | 100 | 85 | 5   | 5 |
| MLBC-12030                 | 27              | 30   | 120             | 110 | 85 | 5   | 7 |
| MLBC-12032                 | 31              | 32   | 120             | 110 | 85 | 5   | 7 |
| MLBC-12035                 | 33              | 35   | 120             | 110 | 85 | 5   | 7 |
| MLBC-12038                 | 36              | 39   | 120             | 110 | 85 | 5   | 7 |
| MLBC-12043                 | 40              | 43   | 120             | 110 | 85 | 5   | 7 |
| MLBC-15030                 | 27              | 30   | 150             | 120 | 85 | 5   | 7 |
| MLBC-15032                 | 31              | 32   | 150             | 120 | 85 | 5   | 7 |
| MLBC-15035                 | 33              | 35   | 150             | 120 | 85 | 5   | 7 |
| MLBC-15038                 | 36              | 39   | 150             | 120 | 85 | 5   | 7 |
| MLBC-15043                 | 40              | 43   | 150             | 120 | 85 | 5   | 7 |

NOTA : OTROS ANGULOS A INDICAR - EJEMPLO: MLBC45°

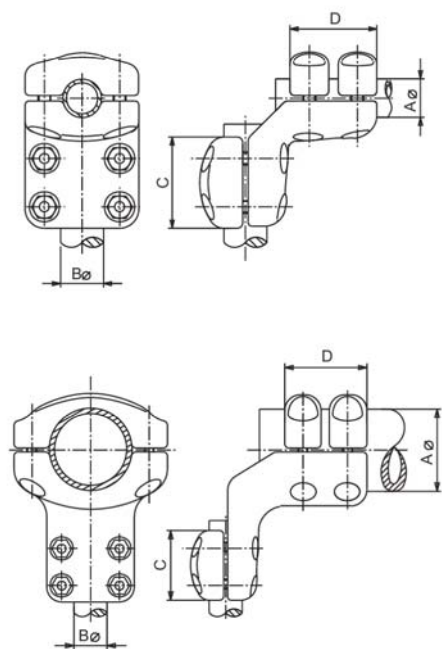
ПРИМЕЧАНИЕ: УТОЧНИТЬ ДРУГИЕ УГЛЫ

NOTE : D'AUTRES ANGLES À PRÉCISER - EXEMPLE: MLBC45°



## L CONNECTOR TUBE TO STUD

### L-ОБРАЗНЫЙ ЗАЖИМ ДЛЯ СОЕДИНЕНИЯ ТРУБЫ СО СТЕРЖНЕМ



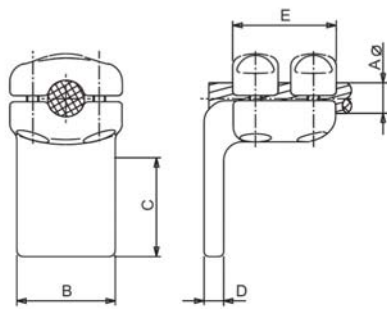
MLBBT

| Referencia<br>Code<br>Шифр | mm.        |    |     |     | Par de apriete<br>Tightening torque<br>Момент затяжки<br>(kg.m) |   |
|----------------------------|------------|----|-----|-----|---|---|
|                            | Aø         | Bø | C   | D   | A   | B |
|                            | MLBBT-3030 | 30 | 30  | 85  | 85  | 5 |
| MLBBT-4030                 | 40         | 30 | 85  | 85  | 5   | 5 |
| MLBBT-4050                 | 40         | 50 | 100 | 85  | 5   | 5 |
| MLBBT-4060                 | 40         | 60 | 100 | 85  | 5   | 5 |
| MLBBT-5030                 | 50         | 30 | 85  | 100 | 5   | 5 |
| MLBBT-5040                 | 50         | 40 | 85  | 100 | 5   | 5 |
| MLBBT-5060                 | 50         | 60 | 100 | 100 | 5   | 5 |
| MLBBT-6030                 | 60         | 30 | 85  | 100 | 5   | 5 |
| MLBBT-6040                 | 60         | 40 | 85  | 100 | 5   | 5 |
| MLBBT-6050                 | 60         | 50 | 100 | 100 | 5   | 5 |
| MLBBT-8030                 | 80         | 30 | 85  | 100 | 5   | 5 |
| MLBBT-8040                 | 80         | 40 | 90  | 100 | 5   | 5 |
| MLBBT-8050                 | 80         | 50 | 100 | 100 | 5   | 5 |
| MLBBT-8060                 | 80         | 60 | 100 | 100 | 5   | 5 |
| MLBBT-10030                | 100        | 30 | 90  | 100 | 5   | 5 |
| MLBBT-10040                | 100        | 40 | 90  | 100 | 5   | 5 |
| MLBBT-10050                | 100        | 50 | 100 | 100 | 5   | 5 |
| MLBBT-10060                | 100        | 60 | 100 | 100 | 5   | 5 |
| MLBBT-12030                | 120        | 30 | 90  | 110 | 7   | 5 |
| MLBBT-12040                | 120        | 40 | 90  | 110 | 7   | 5 |
| MLBBT-12050                | 120        | 50 | 100 | 110 | 7   | 5 |
| MLBBT-12060                | 120        | 60 | 100 | 110 | 7   | 5 |
| MLBBT-15030                | 150        | 30 | 90  | 120 | 7   | 5 |
| MLBBT-15040                | 150        | 40 | 90  | 120 | 7   | 5 |
| MLBBT-15050                | 150        | 50 | 100 | 120 | 7   | 5 |
| MLBBT-15060                | 150        | 60 | 100 | 120 | 7   | 5 |



## L CONNECTOR CABLE TO FLATBAR

### L-ОБРАЗНЫЙ ЗАЖИМ ДЛЯ ПРИСОЕДИНЕНИЯ ПРОВОДА К АППАРАТАМ



MLCP

| Referencia<br>Code<br>Шифр | mm.  |      |     |     |    |    | Par de apriete<br>Tightening torque<br>Момент затяжки<br>(kg.m) |
|----------------------------|------|------|-----|-----|----|----|---|
|                            | Aø   |      | B   | C   | D  | E  |   |
|                            | Mín. | Máx. |     |     |    |    |   |
| MLCP-1533                  | 12   | 15   | 50  | 50  | 15 | 82 | 3   |
| MLCP-1544                  | 12   | 15   | 60  | 60  | 15 | 82 | 3   |
| MLCP-1555                  | 12   | 15   | 80  | 80  | 15 | 82 | 3   |
| MLCP-1566                  | 12   | 15   | 100 | 100 | 15 | 82 | 3   |
| MLCP-1588                  | 12   | 15   | 125 | 125 | 15 | 82 | 3   |
| MLCP-1833                  | 16   | 19   | 50  | 50  | 15 | 82 | 3   |
| MLCP-1844                  | 16   | 19   | 60  | 60  | 15 | 82 | 3   |
| MLCP-1855                  | 16   | 19   | 80  | 80  | 15 | 82 | 3   |
| MLCP-1866                  | 16   | 19   | 100 | 100 | 15 | 82 | 3   |
| MLCP-1888                  | 16   | 19   | 125 | 125 | 15 | 82 | 3   |
| MLCP-2233                  | 20   | 23   | 50  | 50  | 15 | 82 | 3   |
| MLCP-2244                  | 20   | 23   | 60  | 60  | 15 | 82 | 3   |
| MLCP-2255                  | 20   | 23   | 80  | 80  | 15 | 82 | 3   |
| MLCP-2266                  | 20   | 23   | 100 | 100 | 15 | 82 | 3   |
| MLCP-2288                  | 20   | 23   | 125 | 125 | 15 | 82 | 3   |
| MLCP-2544                  | 24   | 26   | 60  | 60  | 15 | 82 | 3   |
| MLCP-2555                  | 24   | 26   | 80  | 80  | 15 | 82 | 3   |
| MLCP-2566                  | 24   | 26   | 100 | 100 | 15 | 82 | 3   |
| MLCP-2588                  | 24   | 26   | 125 | 125 | 15 | 82 | 3   |
| MLCP-3044                  | 27   | 30   | 60  | 60  | 15 | 82 | 3   |
| MLCP-3055                  | 27   | 30   | 80  | 80  | 15 | 82 | 3   |
| MLCP-3066                  | 27   | 30   | 100 | 100 | 15 | 82 | 3   |
| MLCP-3088                  | 27   | 30   | 125 | 125 | 15 | 82 | 3   |
| MLCP-3255                  | 31   | 32   | 80  | 80  | 15 | 85 | 5   |
| MLCP-3266                  | 31   | 32   | 100 | 100 | 15 | 85 | 5   |
| MLCP-3288                  | 31   | 32   | 125 | 125 | 15 | 85 | 5   |
| MLCP-3555                  | 33   | 35   | 80  | 80  | 15 | 85 | 5   |
| MLCP-3566                  | 33   | 35   | 100 | 100 | 15 | 85 | 5   |
| MLCP-3588                  | 33   | 35   | 125 | 125 | 15 | 85 | 5   |
| MLCP-3855                  | 36   | 39   | 80  | 80  | 15 | 85 | 5   |
| MLCP-3866                  | 36   | 39   | 100 | 100 | 15 | 85 | 5   |
| MLCP-3888                  | 36   | 39   | 125 | 125 | 15 | 85 | 5   |
| MLCP-4355                  | 40   | 43   | 80  | 80  | 15 | 85 | 5   |
| MLCP-4366                  | 40   | 43   | 100 | 100 | 15 | 85 | 5   |
| MLCP-4388                  | 40   | 43   | 125 | 125 | 15 | 85 | 5   |

NOTA : OTROS ANGULOS A INDICAR - EJEMPLO: MLCP45°

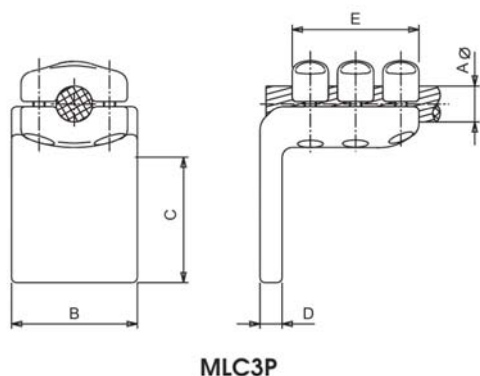
ПРИМЕЧАНИЕ : УТОЧНИТЬ ДРУГИЕ УГЛЫ- ПРИМЕР: MLCP45°

NOTE : D'AUTRES ANGLES À PRÉCISER - EXEMPLE: MLCP45°



## L CONNECTOR CABLE TO FLATBAR

### L-ОБРАЗНЫЙ ЗАЖИМ ДЛЯ ПРИСОЕДИНЕНИЯ ПРОВОДА К АППАРАТАМ

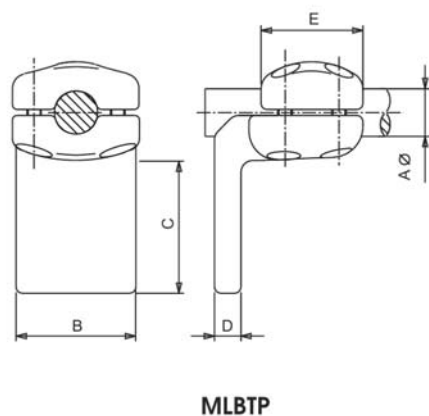


| Referencia<br>Code<br>Шифр | mm.  |      |     |     |    |     | Par de apriete<br>Tightening torque<br>Момент затяжки<br>(kg.m) |
|----------------------------|------|------|-----|-----|----|-----|---|
|                            | Aø   |      | B   | C   | D  | E   |   |
|                            | Mín. | Máx. |     |     |    |     |   |
| MLC3P-3255                 | 31   | 32   | 80  | 80  | 20 | 128 | 5   |
| MLC3P-3266                 | 31   | 32   | 100 | 100 | 20 | 128 | 5   |
| MLC3P-3288                 | 31   | 32   | 125 | 125 | 20 | 128 | 5   |
| MLC3P-3555                 | 33   | 35   | 80  | 80  | 20 | 128 | 5   |
| MLC3P-3566                 | 33   | 35   | 100 | 100 | 20 | 128 | 5   |
| MLC3P-3588                 | 33   | 35   | 125 | 125 | 20 | 128 | 5   |
| MLC3P-3855                 | 36   | 39   | 80  | 80  | 20 | 128 | 5   |
| MLC3P-3866                 | 36   | 39   | 100 | 100 | 20 | 128 | 5   |
| MLC3P-3888                 | 36   | 39   | 125 | 125 | 20 | 128 | 5   |
| MLC3P-4355                 | 40   | 43   | 80  | 80  | 20 | 128 | 5   |
| MLC3P-4366                 | 40   | 43   | 100 | 100 | 20 | 128 | 5   |
| MLC3P-4388                 | 40   | 43   | 125 | 125 | 20 | 128 | 5   |

NOTA : OTROS ANGULOS A INDICAR - EJEMPLO: MLC3P45°  
 ПРИМЕЧАНИЕ : УТОЧНИТЬ ДРУГИЕ УГЛЫ - ПРИМЕР: MLC3P45°  
 NOTE : D'AUTRES ANGLES À PRÉCISER - EXEMPLE: MLC3P45°

## L CONNECTOR STUD TO FLATBAR

### L-ОБРАЗНЫЙ ЗАЖИМ ДЛЯ ПРИСОЕДИНЕНИЯ СТЕРЖНЯ К АППАРАТАМ

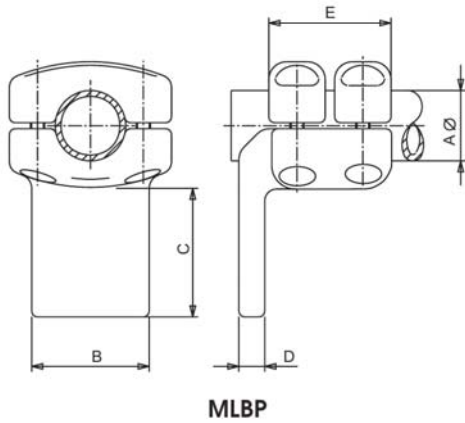


| Referencia<br>Code<br>Шифр | mm. |     |     |    |     | Par de apriete<br>Tightening torque<br>Момент затяжки<br>(kg.m) |
|----------------------------|-----|-----|-----|----|-----|---|
|                            | Aø  | B   | C   | D  | E   |   |
| MLBTP-3055                 | 30  | 80  | 80  | 15 | 85  | 3   |
| MLBTP-3066                 | 30  | 100 | 100 | 15 | 85  | 3   |
| MLBTP-3088                 | 30  | 125 | 125 | 15 | 85  | 3   |
| MLBTP-4055                 | 40  | 80  | 80  | 15 | 85  | 5   |
| MLBTP-4066                 | 40  | 100 | 100 | 15 | 85  | 5   |
| MLBTP-4088                 | 40  | 125 | 125 | 15 | 85  | 5   |
| MLBTP-5055                 | 50  | 80  | 80  | 15 | 100 | 5   |
| MLBTP-5066                 | 50  | 100 | 100 | 15 | 100 | 5   |
| MLBTP-5088                 | 50  | 125 | 125 | 15 | 100 | 5   |
| MLBTP-6055                 | 60  | 80  | 80  | 15 | 100 | 5   |
| MLBTP-6066                 | 60  | 100 | 100 | 15 | 100 | 5   |
| MLBTP-6088                 | 60  | 125 | 125 | 15 | 100 | 5   |



## L CONNECTOR TUBE TO FLATBAR

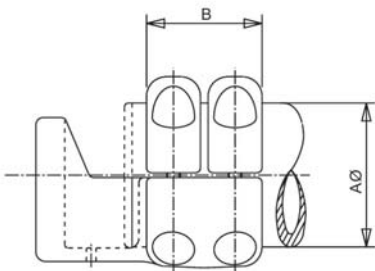
### L-ОБРАЗНЫЙ ЗАЖИМ ДЛЯ ПРИСОЕДИНЕНИЯ ТРУБЫ К АППАРАТАМ



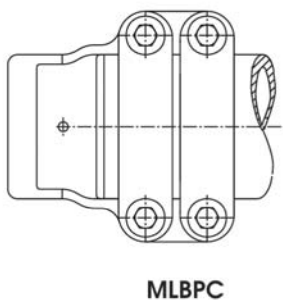
| Referencia<br>Code<br>Шифр | mm.             |     |     |    |     | Par de apriete<br>Tightening torque<br>Момент затяжки<br>(kg.m) |
|----------------------------|-----------------|-----|-----|----|-----|---|
|                            | A $\varnothing$ | B   | C   | D  | E   |   |
| MLBP-4055                  | 40              | 80  | 80  | 15 | 85  | 5   |
| MLBP-4066                  | 40              | 100 | 100 | 15 | 85  | 5   |
| MLBP-4088                  | 40              | 125 | 125 | 15 | 85  | 5   |
| MLBP-5055                  | 50              | 80  | 80  | 15 | 100 | 5   |
| MLBP-5066                  | 50              | 100 | 100 | 15 | 100 | 5   |
| MLBP-5088                  | 50              | 125 | 125 | 15 | 100 | 5   |
| MLBP-6055                  | 60              | 80  | 80  | 15 | 100 | 5   |
| MLBP-6066                  | 60              | 100 | 100 | 15 | 100 | 5   |
| MLBP-6088                  | 60              | 125 | 125 | 15 | 100 | 5   |
| MLBP-8055                  | 80              | 80  | 80  | 15 | 100 | 5   |
| MLBP-8066                  | 80              | 100 | 100 | 15 | 100 | 5   |
| MLBP-8088                  | 80              | 125 | 125 | 15 | 100 | 5   |
| MLBP-10055                 | 100             | 80  | 80  | 15 | 100 | 5   |
| MLBP-10066                 | 100             | 100 | 100 | 15 | 100 | 5   |
| MLBP-10088                 | 100             | 125 | 125 | 15 | 100 | 5   |
| MLBP-12066                 | 120             | 100 | 100 | 15 | 110 | 7   |
| MLBP-12088                 | 120             | 125 | 125 | 15 | 110 | 7   |
| MLBP-15066                 | 150             | 100 | 100 | 15 | 120 | 7   |
| MLBP-15088                 | 150             | 125 | 125 | 15 | 120 | 7   |

## STRAIGHT CONNECTOR UNION TUBE TO FLATBAR

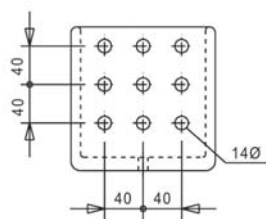
### ПРЯМОЙ ЗАЖИМ ДЛЯ ПРИСОЕДИНЕНИЯ ТРУБЫ К АППАРАТАМ



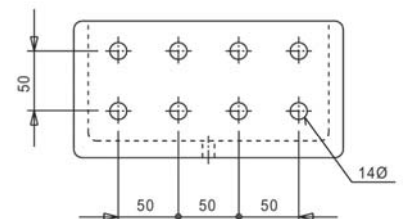
| Referencia<br>Code<br>Шифр | mm              |     | Par de apriete<br>Tightening torque<br>Момент затяжки<br>(kg.m) |
|----------------------------|-----------------|-----|---|
|                            | A $\varnothing$ | B   |   |
| MLBPC-100                  | 100             | 100 | 5   |
| MLBPC-120                  | 120             | 110 | 7   |
| MLBPC-150                  | 150             | 120 | 7   |



#### PLETINA TIPO A



#### PLETINA TIPO B



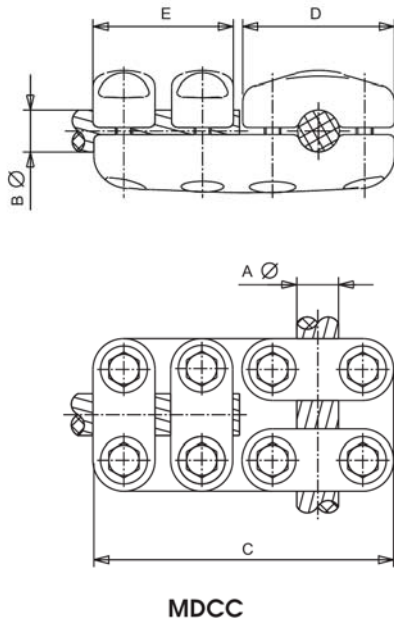


P

*T CONNECTORS*  
T-ОБРАЗНЫЕ ЗАЖИМЫ  
*RACCORDS EN T*





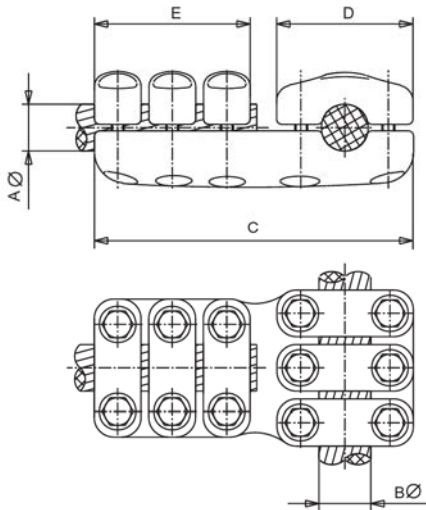


| Referencia<br>Code<br>Шифр | mm.             |      |                 |      |     |     |    | Par de apriete<br>Tightening torque<br>Момент затяжки<br>(kg.m) |
|----------------------------|-----------------|------|-----------------|------|-----|-----|----|---|
|                            | A $\varnothing$ |      | B $\varnothing$ |      | C   | D   | E  |   |
|                            | Mín.            | Máx. | Mín.            | Máx. |     |     |    |   |
| MDCC-1515                  | 12              | 15   | 12              | 15   | 180 | 92  | 82 | 3   |
| MDCC-1818                  | 16              | 18   | 16              | 18   | 180 | 92  | 82 | 3   |
| MDCC-2222                  | 20              | 22   | 20              | 22   | 180 | 92  | 82 | 3   |
| MDCC-2525                  | 24              | 26   | 24              | 26   | 180 | 92  | 82 | 3   |
| MDCC-3030                  | 28              | 30   | 28              | 30   | 180 | 92  | 82 | 3   |
| MDCC-2232                  | 20              | 22   | 31              | 32   | 198 | 107 | 85 | 5   |
| MDCC-2235                  | 20              | 22   | 33              | 35   | 198 | 107 | 85 | 5   |
| MDCC-2238                  | 20              | 22   | 36              | 38   | 198 | 107 | 85 | 5   |
| MDCC-2532                  | 24              | 26   | 31              | 32   | 198 | 107 | 85 | 5   |
| MDCC-2535                  | 24              | 26   | 33              | 35   | 198 | 107 | 85 | 5   |
| MDCC-2538                  | 24              | 26   | 36              | 38   | 198 | 107 | 85 | 5   |
| MDCC-3032                  | 28              | 30   | 31              | 32   | 198 | 107 | 85 | 5   |
| MDCC-3035                  | 28              | 30   | 33              | 35   | 198 | 107 | 85 | 5   |
| MDCC-3038                  | 28              | 30   | 36              | 38   | 198 | 107 | 85 | 5   |
| MDCC-3222                  | 31              | 32   | 20              | 22   | 198 | 107 | 85 | 5   |
| MDCC-3522                  | 33              | 35   | 20              | 22   | 198 | 107 | 85 | 5   |
| MDCC-3822                  | 36              | 38   | 20              | 22   | 198 | 107 | 85 | 5   |
| MDCC-3225                  | 31              | 32   | 24              | 26   | 198 | 107 | 85 | 5   |
| MDCC-3525                  | 33              | 35   | 24              | 26   | 198 | 107 | 85 | 5   |
| MDCC-3825                  | 36              | 38   | 24              | 26   | 198 | 107 | 85 | 5   |
| MDCC-3230                  | 31              | 32   | 28              | 30   | 198 | 107 | 85 | 5   |
| MDCC-3530                  | 33              | 35   | 28              | 30   | 198 | 107 | 85 | 5   |
| MDCC-3830                  | 36              | 38   | 28              | 30   | 198 | 107 | 85 | 5   |
| MDCC-3232                  | 31              | 32   | 31              | 32   | 198 | 107 | 85 | 5   |
| MDCC-3535                  | 33              | 35   | 33              | 35   | 198 | 107 | 85 | 5   |
| MDCC-3835                  | 36              | 38   | 33              | 35   | 198 | 107 | 85 | 5   |
| MDCC-3238                  | 31              | 32   | 36              | 38   | 198 | 107 | 85 | 5   |
| MDCC-3538                  | 33              | 35   | 36              | 38   | 198 | 107 | 85 | 5   |
| MDCC-3838                  | 36              | 38   | 36              | 38   | 198 | 107 | 85 | 5   |
| MDCC-3243                  | 31              | 32   | 40              | 43   | 198 | 107 | 85 | 5   |
| MDCC-3543                  | 33              | 35   | 40              | 43   | 198 | 107 | 85 | 5   |
| MDCC-3843                  | 36              | 38   | 40              | 43   | 198 | 107 | 85 | 5   |
| MDCC-4343                  | 40              | 43   | 40              | 43   | 198 | 107 | 85 | 5   |



### T CONNECTOR FOR CABLES

#### T-ОБРАЗНЫЙ ЗАЖИМ ДЛЯ ПРОВОДОВ

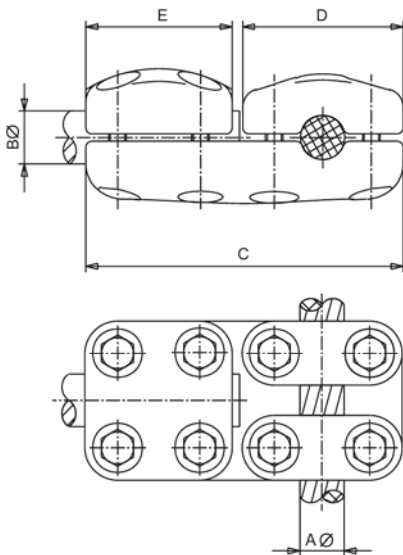


MDCC3

| Referencia<br>Code<br>Шифр | mm.             |      |                 |      |     |     | Par de apriete<br>Tightening torque<br>Момент затяжки<br>(kg.m) |   |
|----------------------------|-----------------|------|-----------------|------|-----|-----|---|---|
|                            | A $\varnothing$ |      | B $\varnothing$ |      | C   | D   |   | E |
|                            | Mín.            | Máx. | Mín.            | Máx. |     |     |   |   |
| MDCC3-3030                 | 28              | 30   | 28              | 30   | 245 | 107 | 120   | 3 |
| MDCC3-3232                 | 31              | 32   | 31              | 32   | 245 | 107 | 120   | 3 |
| MDCC3-3535                 | 33              | 35   | 33              | 35   | 245 | 107 | 120   | 3 |
| MDCC3-3838                 | 36              | 38   | 36              | 38   | 245 | 107 | 120   | 3 |
| MDCC3-4343                 | 40              | 43   | 40              | 43   | 245 | 107 | 120   | 3 |

### T CONNECTOR THROUGH CABLE TO TAP STUD

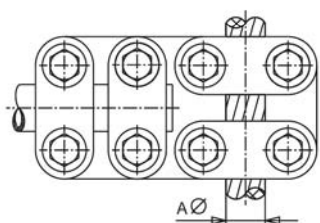
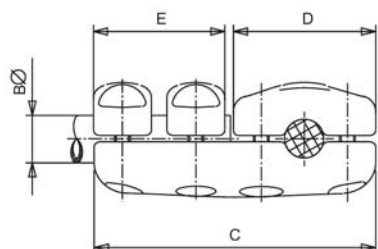
#### T-ОБРАЗНЫЙ ЗАЖИМ ДЛЯ ПРИСОЕДИНЕНИЯ СТЕРЖНЯ К ПРОВОДУ



MDCBT

| Referencia<br>Code<br>Шифр | mm.             |      |                 |     |     |     | Par de apriete<br>Tightening torque<br>Момент затяжки<br>(kg.m) |
|----------------------------|-----------------|------|-----------------|-----|-----|-----|---|
|                            | A $\varnothing$ |      | B $\varnothing$ | C   | D   | E   |   |
|                            | Mín.            | Máx. |                 |     |     |     |   |
| MDCBT-1530                 | 12              | 15   | 30              | 180 | 92  | 82  | 3   |
| MDCBT-1830                 | 16              | 18   | 30              | 180 | 92  | 82  | 3   |
| MDCBT-2230                 | 20              | 22   | 30              | 180 | 92  | 82  | 3   |
| MDCBT-2530                 | 24              | 26   | 30              | 180 | 92  | 82  | 3   |
| MDCBT-3030                 | 28              | 30   | 30              | 180 | 92  | 82  | 3   |
| MDCBT-3230                 | 31              | 32   | 30              | 198 | 107 | 85  | 5   |
| MDCBT-3530                 | 33              | 35   | 30              | 198 | 107 | 85  | 5   |
| MDCBT-3830                 | 36              | 38   | 30              | 198 | 107 | 85  | 5   |
| MDCBT-4330                 | 40              | 43   | 30              | 198 | 107 | 85  | 5   |
| MDCBT-2240                 | 20              | 22   | 40              | 198 | 107 | 85  | 5   |
| MDCBT-2540                 | 24              | 26   | 40              | 198 | 107 | 85  | 5   |
| MDCBT-3040                 | 28              | 30   | 40              | 198 | 107 | 85  | 5   |
| MDCBT-3240                 | 31              | 32   | 40              | 198 | 107 | 85  | 5   |
| MDCBT-3540                 | 33              | 35   | 40              | 198 | 107 | 85  | 5   |
| MDCBT-3840                 | 36              | 38   | 40              | 198 | 107 | 85  | 5   |
| MDCBT-4340                 | 40              | 43   | 40              | 198 | 107 | 85  | 5   |
| MDCBT-2250                 | 20              | 22   | 50              | 222 | 107 | 100 | 5   |
| MDCBT-2550                 | 24              | 26   | 50              | 222 | 107 | 100 | 5   |
| MDCBT-3050                 | 28              | 30   | 50              | 222 | 107 | 100 | 5   |
| MDCBT-3250                 | 31              | 32   | 50              | 222 | 107 | 100 | 5   |
| MDCBT-3550                 | 33              | 35   | 50              | 222 | 107 | 100 | 5   |
| MDCBT-3850                 | 36              | 38   | 50              | 222 | 107 | 100 | 5   |
| MDCBT-4350                 | 40              | 43   | 50              | 222 | 107 | 100 | 5   |
| MDCBT-2260                 | 20              | 22   | 60              | 225 | 107 | 100 | 5   |
| MDCBT-2560                 | 24              | 26   | 60              | 225 | 107 | 100 | 5   |
| MDCBT-3060                 | 28              | 30   | 60              | 225 | 107 | 100 | 5   |
| MDCBT-3260                 | 31              | 32   | 60              | 225 | 107 | 100 | 5   |
| MDCBT-3560                 | 33              | 35   | 60              | 225 | 107 | 100 | 5   |
| MDCBT-3860                 | 36              | 38   | 60              | 225 | 107 | 100 | 5   |
| MDCBT-4360                 | 40              | 43   | 60              | 225 | 107 | 100 | 5   |





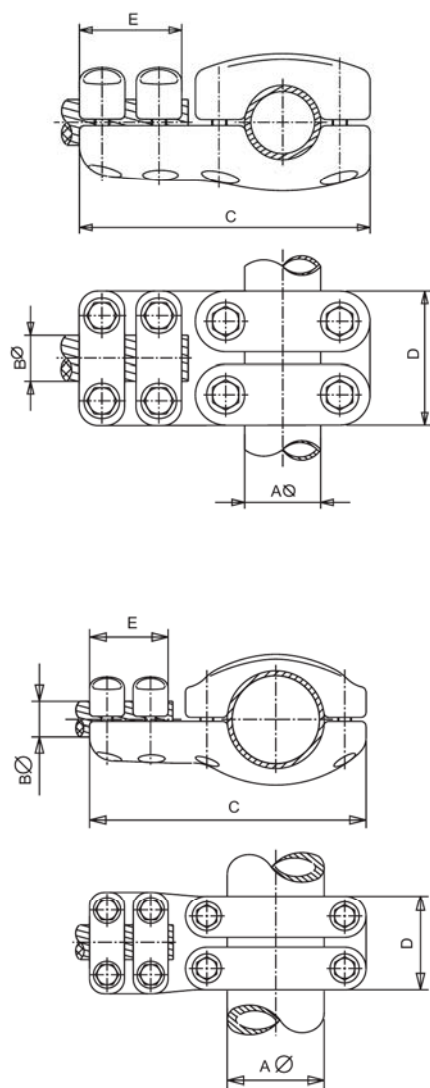
MDCB

| Referencia<br>Code<br>Шифр | mm.             |      |                 |     |     |     | Par de apriete<br>Tightening torque<br>Момент затяжки<br>(kg.m) |
|----------------------------|-----------------|------|-----------------|-----|-----|-----|---|
|                            | A $\varnothing$ |      | B $\varnothing$ | C   | D   | E   |   |
|                            | Mín.            | Máx. |                 |     |     |     |   |
| MDCB-1530                  | 12              | 15   | 30              | 180 | 92  | 82  | 3   |
| MDCB-1830                  | 16              | 18   | 30              | 180 | 92  | 82  | 3   |
| MDCB-2230                  | 20              | 22   | 30              | 180 | 92  | 82  | 3   |
| MDCB-2530                  | 24              | 26   | 30              | 180 | 92  | 82  | 3   |
| MDCB-3030                  | 28              | 30   | 30              | 180 | 92  | 82  | 3   |
| MDCB-3230                  | 31              | 32   | 30              | 198 | 107 | 85  | 5   |
| MDCB-3530                  | 33              | 35   | 30              | 198 | 107 | 85  | 5   |
| MDCB-3830                  | 36              | 38   | 30              | 198 | 107 | 85  | 5   |
| MDCB-4330                  | 40              | 43   | 30              | 198 | 107 | 85  | 5   |
| MDCB-2240                  | 20              | 22   | 40              | 198 | 107 | 85  | 5   |
| MDCB-2540                  | 24              | 26   | 40              | 198 | 107 | 85  | 5   |
| MDCB-3040                  | 28              | 30   | 40              | 198 | 107 | 85  | 5   |
| MDCB-3240                  | 31              | 32   | 40              | 198 | 107 | 85  | 5   |
| MDCB-3540                  | 33              | 35   | 40              | 198 | 107 | 85  | 5   |
| MDCB-3840                  | 36              | 38   | 40              | 198 | 107 | 85  | 5   |
| MDCB-2250                  | 20              | 22   | 50              | 222 | 107 | 100 | 5   |
| MDCB-2550                  | 24              | 26   | 50              | 222 | 107 | 100 | 5   |
| MDCB-3050                  | 28              | 30   | 50              | 222 | 107 | 100 | 5   |
| MDCB-3250                  | 31              | 32   | 50              | 222 | 107 | 100 | 5   |
| MDCB-3550                  | 33              | 35   | 50              | 222 | 107 | 100 | 5   |
| MDCB-3850                  | 36              | 38   | 50              | 222 | 107 | 100 | 5   |
| MDCB-2560                  | 24              | 26   | 60              | 225 | 107 | 100 | 5   |
| MDCB-3060                  | 28              | 30   | 60              | 225 | 107 | 100 | 5   |
| MDCB-3260                  | 31              | 32   | 60              | 225 | 107 | 100 | 5   |
| MDCB-3560                  | 33              | 35   | 60              | 225 | 107 | 100 | 5   |
| MDCB-3860                  | 36              | 38   | 60              | 225 | 107 | 100 | 5   |
| MDCB-4360                  | 40              | 43   | 60              | 225 | 107 | 100 | 5   |



## T CONNECTOR THROUGH TUBE TO TAP CABLE

### T-ОБРАЗНЫЙ ЗАЖИМ ДЛЯ ПРИСОЕДИНЕНИЯ ПРОВОДА К ТРУБЕ



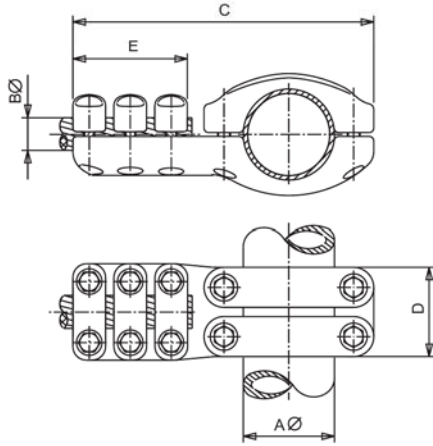
MDBC

| Referencia<br>Code<br>Шифр | mm. |      |      |     |     |    | Par de apriete<br>Tightening torque<br>Момент затяжки<br>(kg.m) |   |
|----------------------------|-----|------|------|-----|-----|----|---|---|
|                            | Aø  | Bø   |      | C   | D   | E  | A   | B |
|                            |     | Mín. | Máx. |     |     |    |   |   |
| MDBC-3022                  | 30  | 20   | 22   | 180 | 92  | 82 | 3   | 3 |
| MDBC-3025                  | 30  | 24   | 26   | 180 | 92  | 82 | 3   | 3 |
| MDBC-3030                  | 30  | 28   | 30   | 180 | 92  | 82 | 3   | 3 |
| MDBC-4030                  | 40  | 28   | 30   | 198 | 107 | 85 | 5   | 5 |
| MDBC-4032                  | 40  | 31   | 32   | 198 | 107 | 85 | 5   | 5 |
| MDBC-4035                  | 40  | 33   | 35   | 198 | 107 | 85 | 5   | 5 |
| MDBC-4038                  | 40  | 36   | 38   | 198 | 107 | 85 | 5   | 5 |
| MDBC-5030                  | 50  | 28   | 30   | 214 | 110 | 82 | 5   | 3 |
| MDBC-5032                  | 50  | 31   | 32   | 218 | 110 | 85 | 5   | 5 |
| MDBC-5035                  | 50  | 33   | 35   | 218 | 110 | 85 | 5   | 5 |
| MDBC-5038                  | 50  | 36   | 38   | 218 | 110 | 85 | 5   | 5 |
| MDBC-5043                  | 50  | 40   | 43   | 218 | 110 | 85 | 5   | 5 |
| MDBC-6030                  | 60  | 28   | 30   | 230 | 110 | 82 | 5   | 3 |
| MDBC-6032                  | 60  | 31   | 32   | 237 | 110 | 85 | 5   | 5 |
| MDBC-6035                  | 60  | 33   | 35   | 237 | 110 | 85 | 5   | 5 |
| MDBC-6038                  | 60  | 36   | 38   | 237 | 110 | 85 | 5   | 5 |
| MDBC-6043                  | 60  | 40   | 43   | 237 | 110 | 85 | 5   | 5 |
| MDBC-8030                  | 80  | 28   | 30   | 252 | 100 | 82 | 5   | 3 |
| MDBC-8032                  | 80  | 31   | 32   | 256 | 100 | 85 | 5   | 5 |
| MDBC-8035                  | 80  | 33   | 35   | 256 | 100 | 85 | 5   | 5 |
| MDBC-8038                  | 80  | 36   | 38   | 256 | 100 | 85 | 5   | 5 |
| MDBC-10030                 | 100 | 28   | 30   | 275 | 100 | 82 | 5   | 3 |
| MDBC-10032                 | 100 | 31   | 32   | 285 | 100 | 85 | 5   | 5 |
| MDBC-10035                 | 100 | 33   | 35   | 285 | 100 | 85 | 5   | 5 |
| MDBC-10038                 | 100 | 36   | 38   | 285 | 100 | 85 | 5   | 5 |
| MDBC-12030                 | 120 | 28   | 30   | 305 | 110 | 82 | 7   | 3 |
| MDBC-12032                 | 120 | 31   | 32   | 313 | 110 | 85 | 7   | 5 |
| MDBC-12035                 | 120 | 33   | 35   | 313 | 110 | 85 | 7   | 5 |
| MDBC-12038                 | 120 | 36   | 38   | 313 | 110 | 85 | 7   | 5 |
| MDBC-15030                 | 150 | 28   | 30   | 340 | 120 | 82 | 7   | 3 |
| MDBC-15032                 | 150 | 31   | 32   | 345 | 120 | 85 | 7   | 5 |
| MDBC-15035                 | 150 | 33   | 35   | 345 | 120 | 85 | 7   | 5 |
| MDBC-15038                 | 150 | 36   | 38   | 345 | 120 | 85 | 7   | 5 |



### T CONNECTOR THROUGH TUBE TO TAP CABLE

#### Т-ОБРАЗНЫЙ ЗАЖИМ ДЛЯ ПРИСОЕДИНЕНИЯ ПРОВОДА К ТРУБЕ

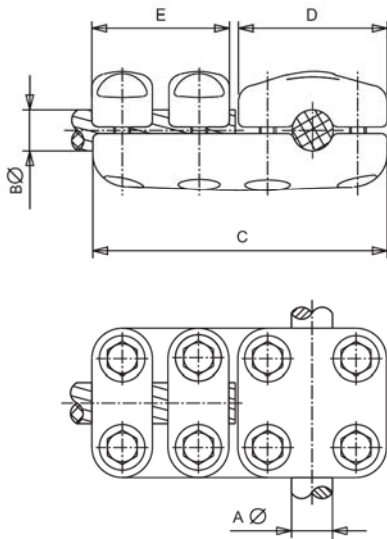


**MDBС3**

| Referencia<br>Code<br>Шифр | mm.             |                 |      |     |     |     | Par de apriete<br>Tightening torque<br>Момент затяжки<br>(kg.m) |   |
|----------------------------|-----------------|-----------------|------|-----|-----|-----|---|---|
|                            | A $\varnothing$ | B $\varnothing$ |      | C   | D   | E   | A   | B |
|                            |                 | Mín.            | Máx. |     |     |     |   |   |
| MDBС3-8030                 | 80              | 28              | 30   | 298 | 100 | 138 | 5   | 5 |
| MDBС3-8032                 | 80              | 31              | 32   | 298 | 100 | 138 | 5   | 5 |
| MDBС3-8035                 | 80              | 33              | 35   | 298 | 100 | 138 | 5   | 5 |
| MDBС3-8038                 | 80              | 36              | 38   | 298 | 100 | 138 | 5   | 5 |
| MDBС3-8043                 | 80              | 40              | 43   | 298 | 100 | 138 | 5   | 5 |
| MDBС3-10030                | 100             | 28              | 30   | 326 | 100 | 138 | 5   | 5 |
| MDBС3-10032                | 100             | 31              | 32   | 326 | 100 | 138 | 5   | 5 |
| MDBС3-10035                | 100             | 33              | 35   | 326 | 100 | 138 | 5   | 5 |
| MDBС3-10038                | 100             | 36              | 38   | 326 | 100 | 138 | 5   | 5 |
| MDBС3-10043                | 100             | 40              | 43   | 326 | 100 | 138 | 5   | 5 |
| MDBС3-12030                | 120             | 28              | 30   | 356 | 110 | 138 | 7   | 5 |
| MDBС3-12032                | 120             | 31              | 32   | 356 | 110 | 138 | 7   | 5 |
| MDBС3-12035                | 120             | 33              | 35   | 356 | 110 | 138 | 7   | 5 |
| MDBС3-12038                | 120             | 36              | 38   | 356 | 110 | 138 | 7   | 5 |
| MDBС3-12043                | 120             | 40              | 43   | 356 | 110 | 138 | 7   | 5 |
| MDBС3-15032                | 150             | 31              | 32   | 398 | 120 | 138 | 7   | 5 |
| MDBС3-15035                | 150             | 33              | 35   | 398 | 120 | 138 | 7   | 5 |
| MDBС3-15038                | 150             | 36              | 38   | 398 | 120 | 138 | 7   | 5 |
| MDBС3-15043                | 150             | 40              | 43   | 398 | 120 | 138 | 7   | 5 |

### T CONNECTOR THROUGH STUD AND TAP CABLE

#### Т-ОБРАЗНЫЙ ЗАЖИМ ДЛЯ ПРИСОЕДИНЕНИЯ ПРОВОДА К СТЕРЖНЮ



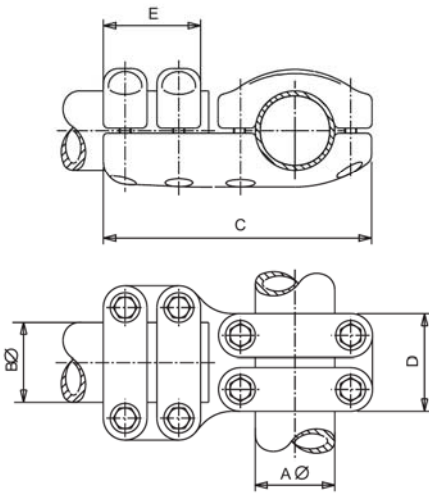
**MDBСТ**

| Referencia<br>Code<br>Шифр | mm.             |                 |      |     |     |    | Par de apriete<br>Tightening torque<br>Момент затяжки<br>(kg.m) |   |
|----------------------------|-----------------|-----------------|------|-----|-----|----|---|---|
|                            | A $\varnothing$ | B $\varnothing$ |      | C   | D   | E  | A   | B |
|                            |                 | Mín.            | Máx. |     |     |    |   |   |
| MDBСТ-3015                 | 30              | 12              | 15   | 198 | 107 | 85 | 3   | 3 |
| MDBСТ-3018                 | 30              | 16              | 18   | 198 | 107 | 85 | 3   | 3 |
| MDBСТ-3022                 | 30              | 20              | 22   | 198 | 107 | 85 | 3   | 3 |
| MDBСТ-3025                 | 30              | 24              | 26   | 198 | 107 | 85 | 3   | 3 |
| MDBСТ-3032                 | 30              | 31              | 32   | 198 | 107 | 85 | 5   | 5 |
| MDBСТ-3035                 | 30              | 33              | 35   | 198 | 107 | 85 | 5   | 5 |
| MDBСТ-3038                 | 30              | 36              | 38   | 198 | 107 | 85 | 5   | 5 |
| MDBСТ-3043                 | 30              | 40              | 43   | 198 | 107 | 85 | 5   | 5 |
| MDBСТ-4015                 | 40              | 12              | 15   | 198 | 107 | 85 | 5   | 5 |
| MDBСТ-4018                 | 40              | 16              | 18   | 198 | 107 | 85 | 5   | 5 |
| MDBСТ-4022                 | 40              | 20              | 22   | 198 | 107 | 85 | 5   | 5 |
| MDBСТ-4025                 | 40              | 24              | 26   | 198 | 107 | 85 | 5   | 5 |
| MDBСТ-4030                 | 40              | 28              | 30   | 198 | 107 | 85 | 5   | 5 |
| MDBСТ-4032                 | 40              | 31              | 32   | 198 | 107 | 85 | 5   | 5 |
| MDBСТ-4035                 | 40              | 33              | 35   | 198 | 107 | 85 | 5   | 5 |
| MDBСТ-4038                 | 40              | 36              | 38   | 198 | 107 | 85 | 5   | 5 |
| MDBСТ-4043                 | 40              | 40              | 43   | 198 | 107 | 85 | 5   | 5 |



## T CONNECTOR FOR TUBES

### Т-ОБРАЗНЫЙ ЗАЖИМ ДЛЯ ТРУБ

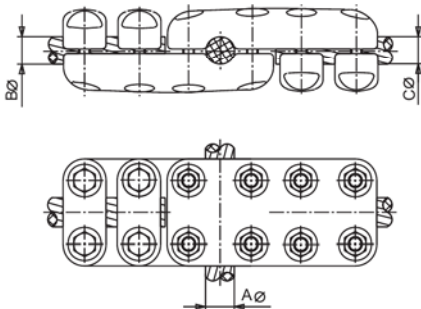


MDBB

| Referencia<br>Code<br>Шифр | mm.             |                 |     |     |     | Par de apriete<br>Tightening torque<br>Момент затяжки<br>(kg.m) |   |
|----------------------------|-----------------|-----------------|-----|-----|-----|---|---|
|                            | A $\varnothing$ | B $\varnothing$ | C   | D   | E   | A   | B |
|                            |                 |                 |     |     |     |   |   |
| MDBB-5050                  | 50              | 50              | 230 | 100 | 100 | 5   | 5 |
| MDBB-6060                  | 60              | 60              | 250 | 100 | 100 | 5   | 5 |
| MDBB-8050                  | 80              | 50              | 275 | 100 | 100 | 5   | 5 |
| MDBB-100100                | 100             | 100             | 290 | 100 | 100 | 5   | 5 |
| MDBB-120120                | 120             | 120             | 335 | 110 | 110 | 7   | 7 |
| MDBB-150150                | 150             | 150             | 380 | 120 | 120 | 7   | 7 |

## CROSS CONNECTOR FOR CABLES

### ПЕРЕКРЁСТНЫЙ ЗАЖИМ ДЛЯ ПРОВОДОВ



MDCCC

| Referencia<br>Code<br>Шифр | mm.             |      |                 |      |                 |      | Par de apriete<br>Tightening torque<br>Момент затяжки<br>(kg.m) |
|----------------------------|-----------------|------|-----------------|------|-----------------|------|---|
|                            | A $\varnothing$ |      | B $\varnothing$ |      | C $\varnothing$ |      |   |
|                            | Mín.            | Máx. | Mín.            | Máx. | Mín.            | Máx. |   |
| MDCCC-151515               | 12              | 15   | 12              | 15   | 12              | 15   | 3   |
| MDCCC-181818               | 16              | 18   | 16              | 18   | 16              | 18   | 3   |
| MDCCC-222222               | 20              | 22   | 20              | 22   | 20              | 22   | 3   |
| MDCCC-252525               | 24              | 26   | 24              | 26   | 24              | 26   | 3   |
| MDCCC-303030               | 28              | 30   | 28              | 30   | 28              | 30   | 3   |
| MDCCC-323232               | 31              | 32   | 31              | 32   | 31              | 32   | 5   |
| MDCCC-353535               | 33              | 35   | 33              | 35   | 33              | 35   | 5   |
| MDCCC-383838               | 36              | 38   | 36              | 38   | 36              | 38   | 5   |
| MDCCC-434343               | 40              | 43   | 40              | 43   | 40              | 43   | 5   |

NOTA: A INDICAR OTROS TIPOS DE CONEXIONES, CON TUBO, BORNA, ETC.

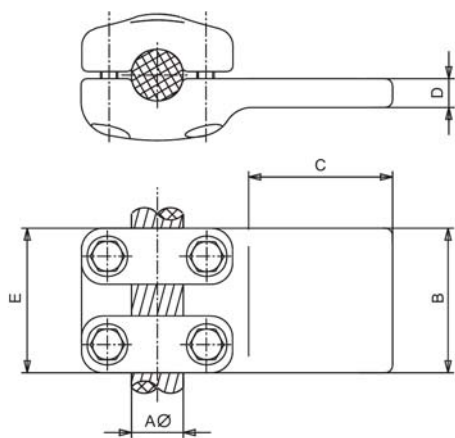
ПРИМЕЧАНИЕ: УТОЧНИТЬ ДРУГИЕ ТИПЫ ЗАЖИМОВ С ТРУБОЙ, СТЕРЖНЕМ, ЕTC

NOTE: PRECISER D'AUTRES TYPES DE CONNEXIONS, AVEC TUBE, BORNE, ETC.



T CONNECTOR THROUGH CABLE TO FLATBAR

Т-ОБРАЗНЫЙ ЗАЖИМ ДЛЯ ПРИСОЕДИНЕНИЯ ПРОВОДА К  
АППАРАТАМ



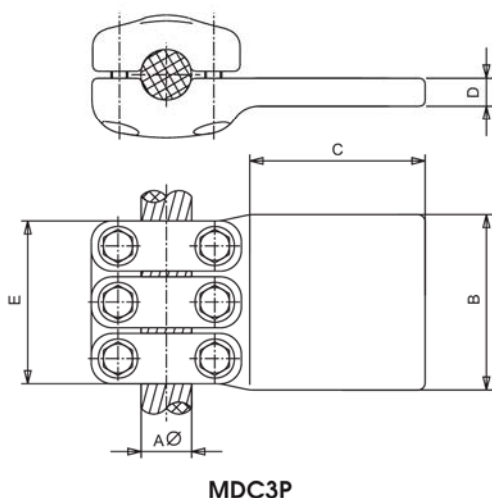
MDCP

| Referencia<br>Code<br>Шифр | mm.  |      |     |     |    |    | Par de apriete<br>Tightening torque<br>Момент затяжки<br>(kg.m) |
|----------------------------|------|------|-----|-----|----|----|---|
|                            | Aø   |      | B   | C   | D  | E  |   |
|                            | Mín. | Máx. |     |     |    |    |   |
| MDCP-1533                  | 12   | 15   | 50  | 50  | 15 | 85 | 3   |
| MDCP-1544                  | 12   | 15   | 60  | 60  | 15 | 85 | 3   |
| MDCP-1555                  | 12   | 15   | 80  | 80  | 15 | 85 | 3   |
| MDCP-1833                  | 16   | 18   | 50  | 50  | 15 | 85 | 3   |
| MDCP-1844                  | 16   | 18   | 60  | 60  | 15 | 85 | 3   |
| MDCP-1855                  | 16   | 18   | 80  | 80  | 15 | 85 | 3   |
| MDCP-1866                  | 16   | 18   | 100 | 100 | 15 | 85 | 3   |
| MDCP-2233                  | 20   | 22   | 50  | 50  | 15 | 85 | 3   |
| MDCP-2244                  | 20   | 22   | 60  | 60  | 15 | 85 | 3   |
| MDCP-2255                  | 20   | 22   | 80  | 80  | 15 | 85 | 3   |
| MDCP-2266                  | 20   | 22   | 100 | 100 | 15 | 85 | 3   |
| MDCP-2533                  | 24   | 26   | 50  | 50  | 15 | 85 | 3   |
| MDCP-2544                  | 24   | 26   | 60  | 60  | 15 | 85 | 3   |
| MDCP-2555                  | 24   | 26   | 80  | 80  | 15 | 85 | 3   |
| MDCP-2566                  | 24   | 26   | 100 | 100 | 15 | 85 | 3   |
| MDCP-3044                  | 28   | 30   | 60  | 60  | 15 | 85 | 3   |
| MDCP-3055                  | 28   | 30   | 80  | 80  | 15 | 85 | 3   |
| MDCP-3066                  | 28   | 30   | 100 | 100 | 15 | 85 | 3   |
| MDCP-3088                  | 28   | 30   | 125 | 125 | 15 | 85 | 3   |
| MDCP-3244                  | 31   | 32   | 60  | 60  | 15 | 85 | 5   |
| MDCP-3255                  | 31   | 32   | 80  | 80  | 15 | 85 | 5   |
| MDCP-3266                  | 31   | 32   | 100 | 100 | 15 | 85 | 5   |
| MDCP-3288                  | 31   | 32   | 125 | 125 | 15 | 85 | 5   |
| MDCP-3533                  | 33   | 34   | 50  | 50  | 15 | 85 | 5   |
| MDCP-3544                  | 33   | 35   | 60  | 60  | 15 | 85 | 5   |
| MDCP-3555                  | 33   | 35   | 80  | 80  | 15 | 85 | 5   |
| MDCP-3566                  | 33   | 35   | 100 | 100 | 15 | 85 | 5   |
| MDCP-3588                  | 33   | 35   | 125 | 125 | 15 | 85 | 5   |
| MDCP-3844                  | 36   | 38   | 60  | 60  | 15 | 85 | 5   |
| MDCP-3855                  | 36   | 38   | 80  | 80  | 15 | 85 | 5   |
| MDCP-3866                  | 36   | 38   | 100 | 100 | 15 | 85 | 5   |
| MDCP-3888                  | 36   | 38   | 125 | 125 | 15 | 85 | 5   |
| MDCP-4344                  | 40   | 43   | 60  | 60  | 15 | 85 | 5   |
| MDCP-4355                  | 40   | 43   | 80  | 80  | 15 | 85 | 5   |
| MDCP-4366                  | 40   | 43   | 100 | 100 | 15 | 85 | 5   |
| MDCP-4388                  | 40   | 43   | 125 | 125 | 15 | 85 | 5   |



### T CONNECTOR THROUGH CABLE TO FLATBAR

#### Т-ОБРАЗНЫЙ ЗАЖИМ ДЛЯ ПРИСОЕДИНЕНИЯ ПРОВОДА К АППАРАТАМ

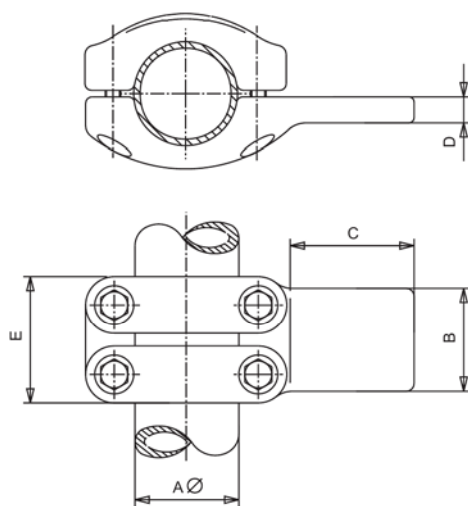


MDC3P

| Referencia<br>Code<br>Шифр | mm.             |      |     |     |    |     | Par de apriete<br>Tightening torque<br>Момент затяжки<br>(kg.m) |
|----------------------------|-----------------|------|-----|-----|----|-----|---|
|                            | A $\varnothing$ |      | B   | C   | D  | E   |   |
|                            | Mín.            | Máx. |     |     |    |     |   |
| MDC3P-3055                 | 28              | 30   | 80  | 80  | 15 | 120 | 5   |
| MDC3P-3066                 | 28              | 30   | 100 | 100 | 15 | 120 | 5   |
| MDC3P-3088                 | 28              | 30   | 125 | 125 | 15 | 120 | 5   |
| MDC3P-3255                 | 31              | 32   | 80  | 80  | 15 | 120 | 5   |
| MDC3P-3266                 | 31              | 32   | 100 | 100 | 15 | 120 | 5   |
| MDC3P-3288                 | 31              | 32   | 125 | 125 | 15 | 120 | 5   |
| MDC3P-3555                 | 33              | 35   | 80  | 80  | 15 | 120 | 5   |
| MDC3P-3566                 | 33              | 35   | 100 | 100 | 15 | 120 | 5   |
| MDC3P-3588                 | 33              | 35   | 125 | 125 | 15 | 120 | 5   |
| MDC3P-3855                 | 36              | 38   | 80  | 80  | 15 | 120 | 5   |
| MDC3P-3866                 | 36              | 38   | 100 | 100 | 15 | 120 | 5   |
| MDC3P-3888                 | 36              | 38   | 125 | 125 | 15 | 120 | 5   |
| MDC3P-4355                 | 40              | 43   | 80  | 80  | 15 | 120 | 5   |
| MDC3P-4366                 | 40              | 43   | 100 | 100 | 15 | 120 | 5   |
| MDC3P-4388                 | 40              | 43   | 125 | 125 | 15 | 120 | 5   |

### T CONNECTOR THROUGH TUBE TO FLATBAR

#### Т-ОБРАЗНЫЙ ЗАЖИМ ДЛЯ ПРИСОЕДИНЕНИЯ ТРУБЫ К АППАРАТАМ



MDBP

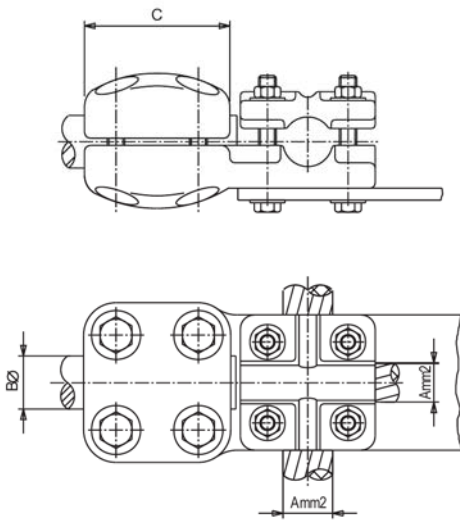
| Referencia<br>Code<br>Шифр | mm.             |     |     |    |     | Par de apriete<br>Tightening torque<br>Момент затяжки<br>(kg.m) |
|----------------------------|-----------------|-----|-----|----|-----|---|
|                            | A $\varnothing$ | B   | C   | D  | E   |   |
|                            | MDBP-5035       | 50  | 50  | 80 | 20  |   |
| MDBP-5055                  | 50              | 80  | 80  | 20 | 100 | 5   |
| MDBP-5066                  | 50              | 100 | 100 | 20 | 100 | 5   |
| MDBP-6035                  | 60              | 50  | 80  | 20 | 100 | 5   |
| MDBP-6055                  | 60              | 80  | 80  | 20 | 100 | 5   |
| MDBP-6066                  | 60              | 100 | 100 | 20 | 100 | 5   |
| MDBP-8055                  | 80              | 80  | 80  | 20 | 100 | 5   |
| MDBP-8066                  | 80              | 100 | 100 | 20 | 100 | 5   |
| MDBP-8088                  | 80              | 125 | 125 | 20 | 100 | 5   |
| MDBP-10055                 | 100             | 80  | 80  | 20 | 100 | 5   |
| MDBP-10066                 | 100             | 100 | 100 | 20 | 100 | 5   |
| MDBP-10088                 | 100             | 125 | 125 | 20 | 100 | 5   |
| MDBP-12066                 | 120             | 100 | 100 | 20 | 110 | 7   |
| MDBP-12088                 | 120             | 125 | 125 | 20 | 110 | 7   |
| MDBP-15066                 | 150             | 100 | 100 | 20 | 120 | 7   |
| MDBP-15088                 | 150             | 125 | 125 | 20 | 120 | 7   |





**STRAIGHT CONNECTOR/STUD TO CABLE TAP**

**ПРЯМОЙ ЗАЖИМ ДЛЯ ПРИСОЕДИНЕНИЯ СТЕРЖНЯ И ПРОВОДА  
К ПРОВОДУ**

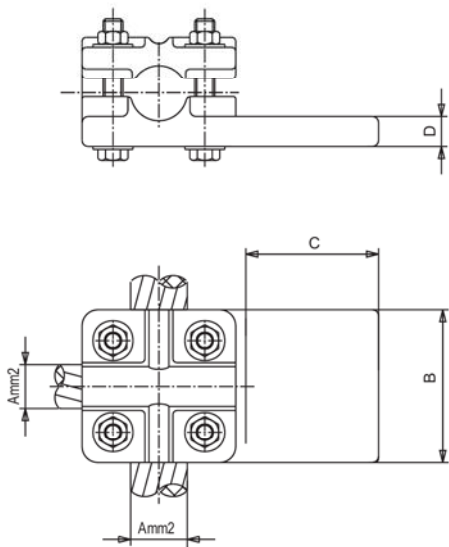


**MXCB**

| Referencia<br>Code<br>Шифр | mm. <sup>2</sup> |      | mm. |    | Par de apriete<br>Tightening torque<br>Момент затяжки<br>(kg.m) |   |
|----------------------------|------------------|------|-----|----|---|---|
|                            | A                |      | Bø  | C  | A   | B |
|                            | Mín.             | Máx. |     |    |   |   |
| MXCB-30                    | 50               | 630  | 30  | 82 | 3   | 3 |
| MXCB-40                    | 50               | 630  | 40  | 85 | 3   | 5 |

**STRAIGHT CONNECTOR/CABLE TO FLATBAR TAP**

**ПРЯМОЙ ЗАЖИМ ДЛЯ ПРИСОЕДИНЕНИЯ ПРОВОДА С ПРОВОДОМ  
И К АППАРАТАМ**



**MXCP**

| Referencia<br>Code<br>Шифр | mm. <sup>2</sup> |      | mm. |     |    | Par de apriete<br>Tightening torque<br>Момент затяжки<br>(kg.m) |
|----------------------------|------------------|------|-----|-----|----|---|
|                            | A                |      | B   | C   | D  |   |
|                            | Mín.             | Máx. |     |     |    |   |
| MXCP-63044                 | 50               | 630  | 60  | 60  | 20 | 3   |
| MXCP-63055                 | 50               | 630  | 75  | 75  | 20 | 3   |
| MXCP-63066                 | 50               | 630  | 100 | 100 | 20 | 3   |



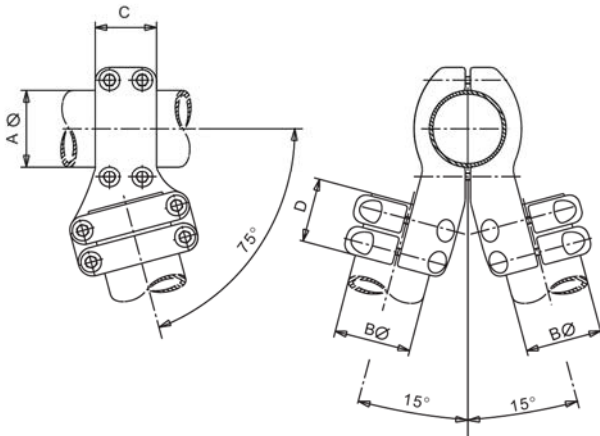


*SPECIAL CONNECTORS IN ANGLE*  
СПЕЦИАЛЬНЫЕ ЗАЖИМЫ ПОД УГЛОМ  
*RACCORDS SPECIALS EN ANGLE*



## V-CONNECTOR FOR TUBES

### V-ОБРАЗНЫЙ ЗАЖИМ ДЛЯ ТРУБ



MD2BB30

| Referencia<br>Code<br>Шифр | mm.             |                 |     |     | Par de apriete<br>Tightening torque<br>Момент затяжки<br>(kg.m) |   |
|----------------------------|-----------------|-----------------|-----|-----|---|---|
|                            | A $\varnothing$ | B $\varnothing$ | C   | D   | A   | B |
|                            |                 |                 |     |     |   |   |
| MD2BB30-10080              | 100             | 80              | 100 | 100 | 5   | 5 |
| MD2BB30-100100             | 100             | 100             | 100 | 100 | 5   | 5 |
| MD2BB30-12080              | 120             | 80              | 110 | 100 | 7   | 5 |
| MD2BB30-120100             | 120             | 100             | 110 | 100 | 7   | 5 |
| MD2BB30-120120             | 120             | 120             | 110 | 110 | 7   | 7 |
| MD2BB30-150100             | 150             | 100             | 120 | 100 | 7   | 5 |
| MD2BB30-150120             | 150             | 120             | 120 | 110 | 7   | 7 |
| MD2BB30-150150             | 150             | 150             | 120 | 120 | 7   | 7 |

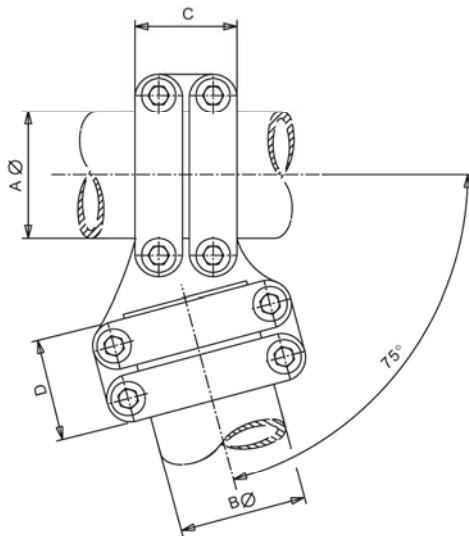
NOTA: OTROS ÁNGULOS A INDICAR

NOTE: SPECIFY ANOTHER ANGLES

NOTE: D'AUTRES ANGLES À PRECISER

## ANGLE CONNECTOR FOR TUBES

### УГЛОВОЙ ЗАЖИМ ДЛЯ ТРУБ



MDBB75

| Referencia<br>Code<br>Шифр | mm.             |                 |     |     | Par de apriete<br>Tightening torque<br>Момент затяжки<br>(kg.m) |   |
|----------------------------|-----------------|-----------------|-----|-----|---|---|
|                            | A $\varnothing$ | B $\varnothing$ | C   | D   | A   | B |
|                            |                 |                 |     |     |   |   |
| MDBB75-10080               | 100             | 80              | 100 | 100 | 5   | 5 |
| MDBB75-100100              | 100             | 100             | 100 | 100 | 5   | 5 |
| MDBB75-12080               | 120             | 80              | 110 | 100 | 7   | 5 |
| MDBB75-120100              | 120             | 100             | 110 | 100 | 7   | 5 |
| MDBB75-120120              | 120             | 120             | 110 | 110 | 7   | 7 |
| MDBB75-150100              | 150             | 100             | 120 | 100 | 7   | 5 |
| MDBB75-150120              | 150             | 120             | 120 | 110 | 7   | 7 |
| MDBB75-150150              | 150             | 150             | 120 | 120 | 7   | 7 |

NOTA: OTROS ÁNGULOS A INDICAR

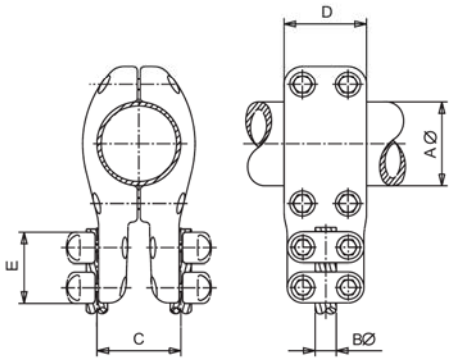
ПРИМЕЧАНИЕ: УТОЧНИТЬ ДРУГИЕ УГЛЫ

NOTE: D'AUTRES ANGLES À PRECISER



### T CONNECTOR THROUGH TO DUPLEX CABLE

#### Т-ОБРАЗНЫЙ ЗАЖИМ ДЛЯ ПРИСОЕДИНЕНИЯ СДВОЕННОГО ПРОВОДА К ТРУБЕ

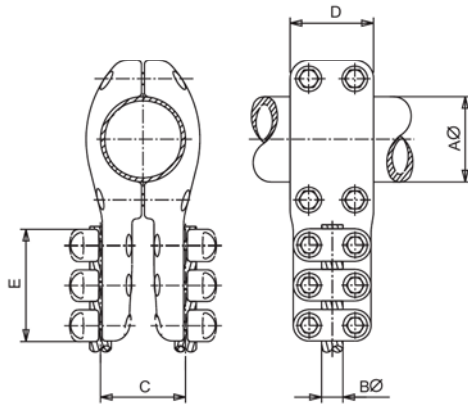


**MDBD.1**

| Referencia<br>Code<br>Шифр | mm. |       |     |     |    | Par de apriete<br>Tightening torque<br>Момент затяжки<br>(kg.m) |   |
|----------------------------|-----|-------|-----|-----|----|---|---|
|                            | Aø  | Bø    | C   | D   | E  | A   | B |
|                            |     |       |     |     |    |   |   |
| MDBD.1-8022                | 80  | 20-22 | 100 | 100 | 85 | 5   | 3 |
| MDBD.1-8025                | 80  | 24-26 | 100 | 100 | 85 | 5   | 3 |
| MDBD.1-8030                | 80  | 28-30 | 100 | 100 | 85 | 5   | 3 |
| MDBD.1-10022               | 100 | 20-22 | 100 | 100 | 85 | 5   | 3 |
| MDBD.1-10025               | 100 | 24-26 | 100 | 100 | 85 | 5   | 3 |
| MDBD.1-10030               | 100 | 28-30 | 100 | 100 | 85 | 5   | 3 |
| MDBD.1-10032               | 100 | 31-32 | 100 | 100 | 90 | 5   | 5 |
| MDBD.1-10035               | 100 | 33-35 | 100 | 100 | 90 | 5   | 5 |
| MDBD.1-10038               | 100 | 36-38 | 100 | 100 | 90 | 5   | 5 |
| MDBD.1-10043               | 100 | 40-43 | 100 | 100 | 90 | 5   | 5 |
| MDBD.1-15032               | 150 | 31-32 | 100 | 120 | 90 | 7   | 5 |
| MDBD.1-15035               | 150 | 33-35 | 100 | 120 | 90 | 7   | 5 |
| MDBD.1-15038               | 150 | 36-38 | 100 | 120 | 90 | 7   | 5 |
| MDBD.1-15043               | 150 | 40-43 | 100 | 120 | 90 | 7   | 5 |

### T CONNECTOR THROUGH TUBE TO DUPLEX CABLE

#### Т-ОБРАЗНЫЙ ЗАЖИМ ДЛЯ ПРИСОЕДИНЕНИЯ СДВОЕННОГО ПРОВОДА К ТРУБЕ



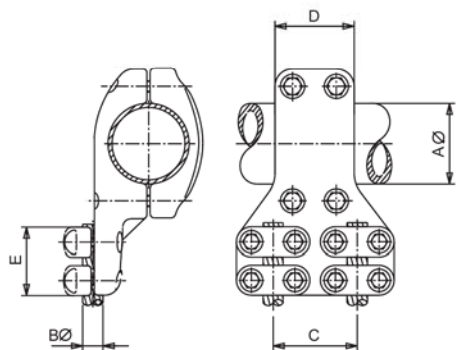
**MDBD3.1**

| Referencia<br>Code<br>Шифр | mm. |       |     |     |     | Par de apriete<br>Tightening torque<br>Момент затяжки<br>(kg.m) |   |
|----------------------------|-----|-------|-----|-----|-----|---|---|
|                            | Aø  | Bø    | C   | D   | E   | A   | B |
|                            |     |       |     |     |     |   |   |
| MDBD3.1-10032              | 100 | 31-32 | 100 | 100 | 138 | 5   | 5 |
| MDBD3.1-10035              | 100 | 33-35 | 100 | 100 | 138 | 5   | 5 |
| MDBD3.1-10038              | 100 | 36-38 | 100 | 100 | 138 | 5   | 5 |
| MDBD3.1-10043              | 100 | 40-43 | 100 | 100 | 138 | 5   | 5 |
| MDBD3.1-15032              | 150 | 31-32 | 100 | 120 | 138 | 7   | 5 |
| MDBD3.1-15035              | 150 | 33-35 | 100 | 120 | 138 | 7   | 5 |
| MDBD3.1-15038              | 150 | 36-38 | 100 | 120 | 138 | 7   | 5 |
| MDBD3.1-15043              | 150 | 40-43 | 100 | 120 | 138 | 7   | 5 |



### T CONNECTOR THROUGH TUBE TO DUPLEX CABLE

#### Т-ОБРАЗНЫЙ ЗАЖИМ ДЛЯ ПРИСОЕДИНЕНИЯ СДВОЕННОГО ПРОВОДА К ТРУБЕ

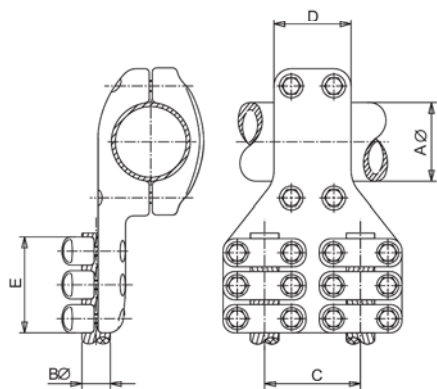


MTBD.1

| Referencia<br>Code<br>Шифр | mm.             |                 |     |     |    | Par de apriete<br>Tightening torque<br>Момент затяжки<br>(kg.m) |   |
|----------------------------|-----------------|-----------------|-----|-----|----|---|---|
|                            | A $\varnothing$ | B $\varnothing$ | C   | D   | E  | A   | B |
|                            |                 |                 |     |     |    |   |   |
| MTBD.1-8022                | 80              | 20-22           | 100 | 100 | 85 | 5   | 3 |
| MTBD.1-8025                | 80              | 24-26           | 100 | 100 | 85 | 5   | 3 |
| MTBD.1-8030                | 80              | 28-30           | 100 | 100 | 85 | 5   | 3 |
| MTBD.1-10022               | 100             | 20-22           | 100 | 100 | 85 | 5   | 3 |
| MTBD.1-10025               | 100             | 24-26           | 100 | 100 | 85 | 5   | 3 |
| MTBD.1-10030               | 100             | 28-30           | 100 | 100 | 85 | 5   | 3 |
| MTBD.1-10032               | 100             | 31-32           | 100 | 100 | 85 | 5   | 5 |
| MTBD.1-10035               | 100             | 33-35           | 100 | 100 | 85 | 5   | 5 |
| MTBD.1-10038               | 100             | 36-38           | 100 | 100 | 85 | 5   | 5 |
| MTBD.1-10043               | 100             | 40-43           | 100 | 100 | 85 | 5   | 5 |
| MTBD.1-15032               | 150             | 31-32           | 100 | 100 | 85 | 7   | 5 |
| MTBD.1-15035               | 150             | 33-35           | 100 | 100 | 85 | 7   | 5 |
| MTBD.1-15038               | 150             | 36-38           | 100 | 100 | 85 | 7   | 5 |
| MTBD.1-15043               | 150             | 40-43           | 100 | 100 | 85 | 7   | 5 |

### T CONNECTOR THROUGH TUBE TO DUPLEX CABLE

#### Т-ОБРАЗНЫЙ ЗАЖИМ ДЛЯ ПРИСОЕДИНЕНИЯ СДВОЕННОГО ПРОВОДА К ТРУБЕ



MTBD3.1





R

*DUPLEX CONNECTORS*

**СДВОЕННЫЕ ЗАЖИМЫ**

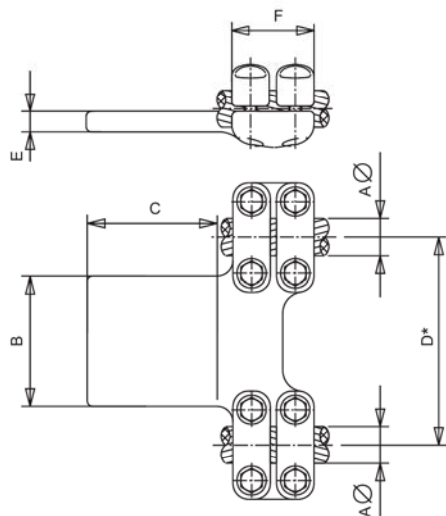
**RACCORDS DUPLEX**



STRAIGHT CONNECTOR DUPLEX CABLE TO FLATBAR

ПРЯМОЙ ЗАЖИМ ДЛЯ ПРИСОЕДИНЕНИЯ СДВОЕННОГО

ПРОВОДА К АППАРАТАМ



MRDP

NOTA

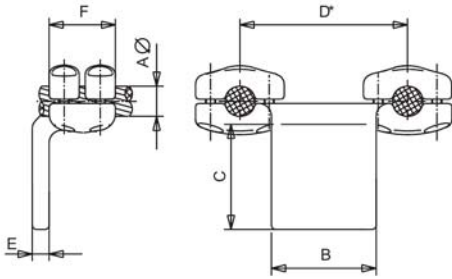
- D\* • 1 = 100mm.  
 • 15 = 150mm.  
 • 2 = 200mm.  
 • 3 = 300mm.  
 • 33 = 330mm.  
 • 4 = 400mm.  
 • 45 = 450mm.

| Referencia<br>Code<br>Шифр | mm.  |      |     |     |            |    | Par de apriete<br>Tightening torque<br>Момент затяжки<br>(kg.m) |   |
|----------------------------|------|------|-----|-----|------------|----|---|---|
|                            | A∅   |      | B   | C   | D*         | E  |   | F |
|                            | Mín. | Máx. |     |     |            |    |   |   |
| MRDP*-2255                 | 20   | 22   | 80  | 80  | SEGUN NOTA | 15 | 85  | 3 |
| MRDP*-2266                 | 20   | 22   | 100 | 100 |            | 15 | 85  | 3 |
| MRDP*-2288                 | 20   | 22   | 125 | 125 |            | 15 | 85  | 3 |
| MRDP*-22106                | 20   | 22   | 200 | 100 |            | 15 | 85  | 3 |
| MRDP*-2555                 | 24   | 26   | 80  | 80  |            | 15 | 85  | 3 |
| MRDP*-2566                 | 24   | 26   | 100 | 100 |            | 15 | 85  | 3 |
| MRDP*-2588                 | 24   | 26   | 125 | 125 |            | 15 | 85  | 3 |
| MRDP*-25106                | 24   | 26   | 200 | 100 |            | 15 | 85  | 3 |
| MRDP*-3055                 | 28   | 30   | 80  | 80  |            | 15 | 85  | 3 |
| MRDP*-3066                 | 28   | 30   | 100 | 100 |            | 15 | 85  | 3 |
| MRDP*-3088                 | 28   | 30   | 125 | 125 |            | 15 | 85  | 3 |
| MRDP*-30106                | 28   | 30   | 200 | 100 |            | 15 | 85  | 3 |
| MRDP*-3255                 | 31   | 32   | 80  | 80  |            | 15 | 90  | 5 |
| MRDP*-3266                 | 31   | 32   | 100 | 100 |            | 15 | 90  | 5 |
| MRDP*-3288                 | 31   | 32   | 125 | 125 |            | 15 | 90  | 5 |
| MRDP*-32106                | 31   | 32   | 200 | 100 |            | 15 | 90  | 5 |
| MRDP*-3555                 | 33   | 35   | 80  | 80  |            | 15 | 90  | 5 |
| MRDP*-3566                 | 33   | 35   | 100 | 100 |            | 15 | 90  | 5 |
| MRDP*-3588                 | 33   | 35   | 125 | 125 |            | 15 | 90  | 5 |
| MRDP*-35106                | 33   | 35   | 200 | 100 |            | 15 | 90  | 5 |
| MRDP*-3855                 | 36   | 38   | 80  | 80  |            | 15 | 90  | 5 |
| MRDP*-3866                 | 36   | 38   | 100 | 100 |            | 15 | 90  | 5 |
| MRDP*-3888                 | 36   | 38   | 125 | 125 |            | 15 | 90  | 5 |
| MRDP*-38106                | 36   | 38   | 200 | 100 |            | 15 | 90  | 5 |
| MRDP*-4355                 | 40   | 43   | 80  | 80  |            | 15 | 90  | 5 |
| MRDP*-4366                 | 40   | 43   | 100 | 100 |            | 15 | 90  | 5 |
| MRDP*-4388                 | 40   | 43   | 125 | 125 |            | 15 | 90  | 5 |
| MRDP*-43106                | 40   | 43   | 200 | 100 |            | 15 | 90  | 5 |



## L CONNECTOR DUPLEX CABLE TO FLATBAR

### L-ОБРАЗНЫЙ ЗАЖИМ ДЛЯ ПРИСОЕДИНЕНИЯ СДВОЕННОГО ПРОВОДА К АППАРАТАМ



MLDP

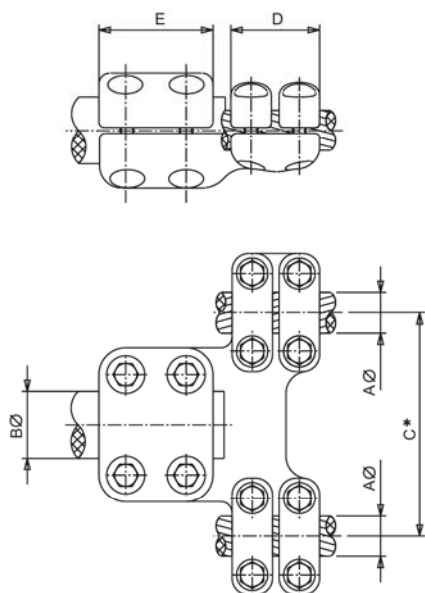
#### NOTA

- D\*
- 1 = 100mm.
  - 15 = 150mm.
  - 2 = 200mm.
  - 3 = 300mm.
  - 33 = 330mm.
  - 4 = 400mm.
  - 45 = 450mm.

| Referencia<br>Code<br>Шифр | mm.  |      |     |     |            |    | Par de apriete<br>Tightening torque<br>Момент затяжки<br>(kg.m) |   |
|----------------------------|------|------|-----|-----|------------|----|---|---|
|                            | Aø   |      | B   | C   | D*         | E  |   | F |
|                            | Mín. | Máx. |     |     |            |    |   |   |
| MLDP*-2255                 | 20   | 22   | 80  | 80  | SEGUN NOTA | 15 | 85  | 3 |
| MLDP*-2266                 | 20   | 22   | 100 | 100 |            | 15 | 85  | 3 |
| MLDP*-2288                 | 20   | 22   | 125 | 125 |            | 15 | 85  | 3 |
| MLDP*-22106                | 20   | 22   | 200 | 100 |            | 15 | 85  | 3 |
| MLDP*-2555                 | 24   | 26   | 80  | 80  |            | 15 | 85  | 3 |
| MLDP*-2566                 | 24   | 26   | 100 | 100 |            | 15 | 85  | 3 |
| MLDP*-2588                 | 24   | 26   | 125 | 125 |            | 15 | 85  | 3 |
| MLDP*-25106                | 24   | 26   | 200 | 100 |            | 15 | 85  | 3 |
| MLDP*-3055                 | 28   | 30   | 80  | 80  |            | 15 | 85  | 3 |
| MLDP*-3066                 | 28   | 30   | 100 | 100 |            | 15 | 85  | 3 |
| MLDP*-3088                 | 28   | 30   | 125 | 125 |            | 15 | 85  | 3 |
| MLDP*-30106                | 28   | 30   | 200 | 100 |            | 15 | 85  | 3 |
| MLDP*-3255                 | 31   | 32   | 80  | 80  |            | 15 | 90  | 5 |
| MLDP*-3266                 | 31   | 32   | 100 | 100 |            | 15 | 90  | 5 |
| MLDP*-3288                 | 31   | 32   | 125 | 125 |            | 15 | 90  | 5 |
| MLDP*-32106                | 31   | 32   | 200 | 100 |            | 15 | 90  | 5 |
| MLDP*-3555                 | 33   | 35   | 80  | 80  |            | 15 | 90  | 5 |
| MLDP*-3566                 | 33   | 35   | 100 | 100 |            | 15 | 90  | 5 |
| MLDP*-3588                 | 33   | 35   | 125 | 125 |            | 15 | 90  | 5 |
| MLDP*-35106                | 33   | 35   | 200 | 100 |            | 15 | 90  | 5 |
| MLDP*-3855                 | 36   | 38   | 80  | 80  |            | 15 | 90  | 5 |
| MLDP*-3866                 | 36   | 38   | 100 | 100 |            | 15 | 90  | 5 |
| MLDP*-3888                 | 36   | 38   | 125 | 125 |            | 15 | 90  | 5 |
| MLDP*-38106                | 36   | 38   | 200 | 100 |            | 15 | 90  | 5 |
| MLDP*-4355                 | 40   | 43   | 80  | 80  |            | 15 | 90  | 5 |
| MLDP*-4366                 | 40   | 43   | 100 | 100 |            | 15 | 90  | 5 |
| MLDP*-4388                 | 40   | 43   | 125 | 125 |            | 15 | 90  | 5 |
| MLDP*-43106                | 40   | 43   | 200 | 100 |            | 15 | 90  | 5 |







MRDBT.\*

## NOTA

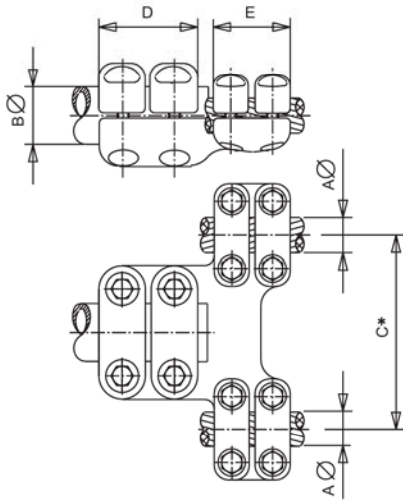
## C\*

- 1 = 100mm.
- 15 = 150mm.
- 2 = 200mm.
- 3 = 300mm.
- 33 = 330mm.
- 4 = 400mm.
- 45 = 450mm.

| Referencia<br>Code<br>Шифр | mm.  |      |    |            |     | Par de apriete<br>Tightening torque<br>Момент затяжки<br>(kg.m) |   |   |
|----------------------------|------|------|----|------------|-----|---|---|---|
|                            | Aø   |      | Bø | C*         | D   | E   | A | B |
|                            | Mín. | Máx. |    |            |     |   |   |   |
| MRDBT.*-2230               | 20   | 22   | 30 | SEGUN NOTA | 85  | 85  | 3 | 3 |
| MRDBT.*-2530               | 24   | 26   | 30 |            | 85  | 85  | 3 | 3 |
| MRDBT.*-3030               | 28   | 30   | 30 |            | 85  | 85  | 3 | 3 |
| MRDBT.*-3230               | 31   | 32   | 30 |            | 85  | 90  | 5 | 5 |
| MRDBT.*-3530               | 33   | 35   | 30 |            | 85  | 90  | 5 | 5 |
| MRDBT.*-3830               | 36   | 38   | 30 |            | 85  | 90  | 5 | 5 |
| MRDBT.*-4330               | 40   | 43   | 30 |            | 85  | 90  | 5 | 5 |
| MRDBT.*-2240               | 20   | 22   | 40 |            | 85  | 85  | 3 | 5 |
| MRDBT.*-2540               | 24   | 26   | 40 |            | 85  | 85  | 3 | 5 |
| MRDBT.*-3040               | 28   | 30   | 40 |            | 85  | 85  | 3 | 5 |
| MRDBT.*-3240               | 31   | 32   | 40 |            | 85  | 90  | 3 | 5 |
| MRDBT.*-3540               | 33   | 35   | 40 |            | 85  | 90  | 3 | 5 |
| MRDBT.*-3840               | 36   | 38   | 40 |            | 85  | 90  | 3 | 5 |
| MRDBT.*-4340               | 40   | 43   | 40 |            | 85  | 90  | 5 | 5 |
| MRDBT.*-2250               | 20   | 22   | 50 |            | 100 | 85  | 3 | 5 |
| MRDBT.*-2550               | 24   | 26   | 50 |            | 100 | 85  | 3 | 5 |
| MRDBT.*-3050               | 28   | 30   | 50 |            | 100 | 85  | 3 | 5 |
| MRDBT.*-3250               | 31   | 32   | 50 |            | 100 | 90  | 5 | 5 |
| MRDBT.*-3550               | 33   | 35   | 50 |            | 100 | 90  | 5 | 5 |
| MRDBT.*-3850               | 36   | 38   | 50 |            | 100 | 90  | 5 | 5 |
| MRDBT.*-4350               | 40   | 43   | 50 | 100        | 90  | 5   | 5 |   |
| MRDBT.*-2260               | 20   | 22   | 60 | 100        | 85  | 3   | 5 |   |
| MRDBT.*-2560               | 24   | 26   | 60 | 100        | 85  | 3   | 5 |   |
| MRDBT.*-3060               | 28   | 30   | 60 | 100        | 85  | 3   | 5 |   |
| MRDBT.*-3260               | 31   | 32   | 60 | 100        | 90  | 5   | 5 |   |
| MRDBT.*-3560               | 33   | 35   | 60 | 100        | 90  | 5   | 5 |   |
| MRDBT.*-3860               | 36   | 38   | 60 | 100        | 90  | 5   | 5 |   |
| MRDBT.*-4360               | 40   | 43   | 60 | 100        | 90  | 5   | 5 |   |

STRAIGHT CONNECTOR UNION DUPLEX CABLE TO TUBE

ПРЯМОЙ ЗАЖИМ ДЛЯ СОЕДИНЕНИЯ СДВОЕННОГО ПРОВОДА С ТРУБОЙ



MRDB.\*

NOTA

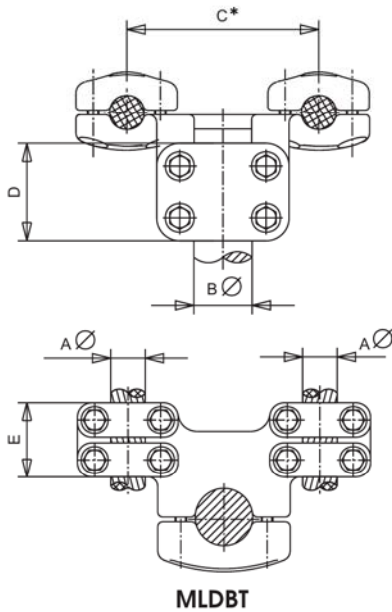
- C\*
- 1 = 100mm.
  - 15 = 150mm.
  - 2 = 200mm.
  - 3 = 300mm.
  - 33 = 330mm.
  - 4 = 400mm.
  - 45 = 450mm.

| Referencia<br>Code<br>Шифр | mm.             |      |                 |            |     | Par de apriete<br>Tightening torque<br>Момент затяжки<br>(kg.m) |   |   |
|----------------------------|-----------------|------|-----------------|------------|-----|---|---|---|
|                            | A $\varnothing$ |      | B $\varnothing$ | C*         | D   | E   | A | B |
|                            | Mín.            | Máx. |                 |            |     |   |   |   |
| MRDB.*-2230                | 20              | 22   | 30              | SEGUN NOTA | 85  | 85  | 3 | 3 |
| MRDB.*-2530                | 24              | 26   | 30              |            | 85  | 85  | 3 | 3 |
| MRDB.*-3030                | 28              | 30   | 30              |            | 85  | 85  | 3 | 3 |
| MRDB.*-3230                | 31              | 32   | 30              |            | 85  | 90  | 5 | 5 |
| MRDB.*-3530                | 33              | 35   | 30              |            | 85  | 90  | 5 | 5 |
| MRDB.*-3830                | 36              | 38   | 30              |            | 85  | 90  | 5 | 5 |
| MRDB.*-4330                | 40              | 43   | 30              |            | 85  | 90  | 5 | 5 |
| MRDB.*-2240                | 20              | 22   | 40              |            | 85  | 85  | 3 | 5 |
| MRDB.*-2540                | 24              | 26   | 40              |            | 85  | 85  | 3 | 5 |
| MRDB.*-3040                | 28              | 30   | 40              |            | 85  | 85  | 3 | 5 |
| MRDB.*-3240                | 31              | 32   | 40              |            | 85  | 90  | 3 | 5 |
| MRDB.*-3540                | 33              | 35   | 40              |            | 85  | 90  | 3 | 5 |
| MRDB.*-3840                | 36              | 38   | 40              |            | 85  | 90  | 3 | 5 |
| MRDB.*-4340                | 40              | 43   | 40              |            | 85  | 90  | 5 | 5 |
| MRDB.*-2250                | 20              | 22   | 50              |            | 100 | 85  | 3 | 5 |
| MRDB.*-2550                | 24              | 26   | 50              |            | 100 | 85  | 3 | 5 |
| MRDB.*-3050                | 28              | 30   | 50              |            | 100 | 85  | 3 | 5 |
| MRDB.*-3250                | 31              | 32   | 50              |            | 100 | 90  | 5 | 5 |
| MRDB.*-3550                | 33              | 35   | 50              |            | 100 | 90  | 5 | 5 |
| MRDB.*-3850                | 36              | 38   | 50              |            | 100 | 90  | 5 | 5 |
| MRDB.*-4350                | 40              | 43   | 50              |            | 100 | 90  | 5 | 5 |
| MRDB.*-2260                | 20              | 22   | 60              |            | 100 | 85  | 3 | 5 |
| MRDB.*-2560                | 24              | 26   | 60              |            | 100 | 85  | 3 | 5 |
| MRDB.*-3060                | 28              | 30   | 60              |            | 100 | 85  | 3 | 5 |
| MRDB.*-3260                | 31              | 32   | 60              |            | 100 | 90  | 5 | 5 |
| MRDB.*-3560                | 33              | 35   | 60              |            | 100 | 90  | 5 | 5 |
| MRDB.*-3860                | 36              | 38   | 60              |            | 100 | 90  | 5 | 5 |
| MRDB.*-4360                | 40              | 43   | 60              |            | 100 | 90  | 5 | 5 |



L CONNECTOR DUPLEX CABLES TO STUD

L-ОБРАЗНЫЙ ЗАЖИМ ДЛЯ ПРИСОЕДИНЕНИЯ СТЕРЖНЯ СО  
СДВОЕННЫМ ПРОВОДОМ



NOTA

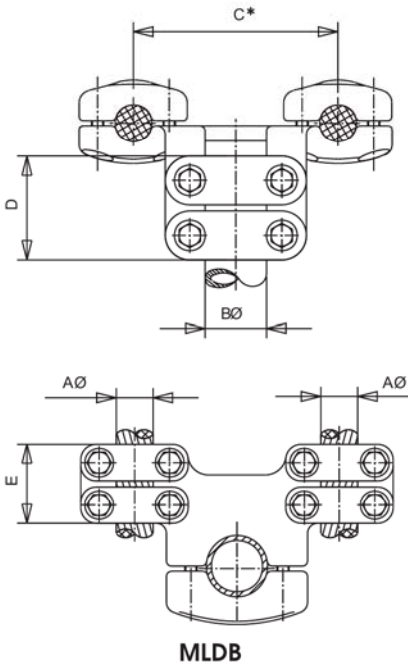
- C\*
- 1 = 100mm.
  - 15 = 150mm.
  - 2 = 200mm.
  - 3 = 300mm.
  - 33 = 330mm.
  - 4 = 400mm.
  - 45 = 450mm.

| Referencia<br>Code<br>Шифр | mm.  |      |    |            |     | Par de apriete<br>Tightening torque<br>Момент затяжки<br>(kg.m) |   |   |
|----------------------------|------|------|----|------------|-----|---|---|---|
|                            | Aø   |      | Bø | C*         | D   | E   | A | B |
|                            | Mín. | Máx. |    |            |     |   |   |   |
| MLDBT*-2230                | 20   | 22   | 30 | SEGUN NOTA | 85  | 85  | 3 | 3 |
| MLDBT*-2530                | 24   | 26   | 30 |            | 85  | 85  | 3 | 3 |
| MLDBT*-3030                | 28   | 30   | 30 |            | 85  | 85  | 3 | 3 |
| MLDBT*-3230                | 31   | 32   | 30 |            | 85  | 90  | 5 | 5 |
| MLDBT*-3530                | 33   | 35   | 30 |            | 85  | 90  | 5 | 5 |
| MLDBT*-3830                | 36   | 38   | 30 |            | 85  | 90  | 5 | 5 |
| MLDBT*-4330                | 40   | 43   | 30 |            | 85  | 90  | 5 | 5 |
| MLDBT*-2240                | 20   | 22   | 40 |            | 85  | 85  | 3 | 5 |
| MLDBT*-2540                | 24   | 26   | 40 |            | 85  | 85  | 3 | 5 |
| MLDBT*-3040                | 28   | 30   | 40 |            | 85  | 85  | 3 | 5 |
| MLDBT*-3240                | 31   | 32   | 40 |            | 85  | 90  | 3 | 5 |
| MLDBT*-3540                | 33   | 35   | 40 |            | 85  | 90  | 3 | 5 |
| MLDBT*-3840                | 36   | 38   | 40 |            | 85  | 90  | 3 | 5 |
| MLDBT*-4340                | 40   | 43   | 40 |            | 85  | 90  | 5 | 5 |
| MLDBT*-2250                | 20   | 22   | 50 |            | 100 | 85  | 3 | 5 |
| MLDBT*-2550                | 24   | 26   | 50 |            | 100 | 85  | 3 | 5 |
| MLDBT*-3050                | 28   | 30   | 50 |            | 100 | 85  | 3 | 5 |
| MLDBT*-3250                | 31   | 32   | 50 |            | 100 | 90  | 5 | 5 |
| MLDBT*-3550                | 33   | 35   | 50 |            | 100 | 90  | 5 | 5 |
| MLDBT*-3850                | 36   | 38   | 50 |            | 100 | 90  | 5 | 5 |
| MLDBT*-4350                | 40   | 43   | 50 |            | 100 | 90  | 5 | 5 |
| MLDBT*-2260                | 20   | 22   | 60 |            | 100 | 85  | 3 | 5 |
| MLDBT*-2560                | 24   | 26   | 60 |            | 100 | 85  | 3 | 5 |
| MLDBT*-3060                | 28   | 30   | 60 |            | 100 | 85  | 3 | 5 |
| MLDBT*-3260                | 31   | 32   | 60 |            | 100 | 90  | 5 | 5 |
| MLDBT*-3560                | 33   | 35   | 60 |            | 100 | 90  | 5 | 5 |
| MLDBT*-3860                | 36   | 38   | 60 |            | 100 | 90  | 5 | 5 |
| MLDBT*-4360                | 40   | 43   | 60 |            | 100 | 90  | 5 | 5 |



## L CONNECTOR DUPLEX CABLES TO TUBE

### L-ОБРАЗНЫЙ ЗАЖИМ ДЛЯ ПРИСОЕДИНЕНИЯ ТРУБЫ К СДВОЕННОМУ ПРОВОДУ

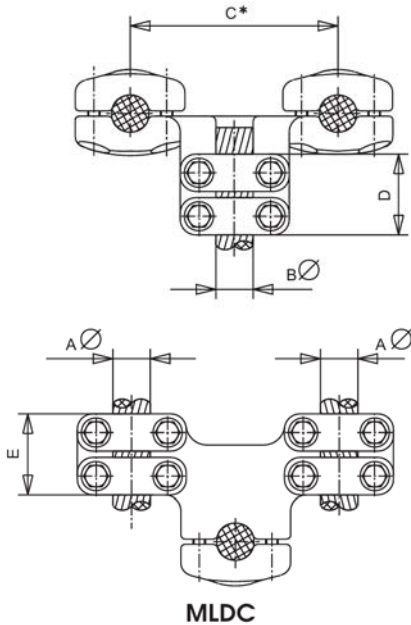


#### NOTA

- C\***
- 1 = 100mm.
  - 15 = 150mm.
  - 2 = 200mm.
  - 3 = 300mm.
  - 33 = 330mm.
  - 4 = 400mm.
  - 45 = 450mm.

| Referencia<br>Code<br>Шифр | mm.  |      |    |            |     | Par de apriete<br>Tightening torque<br>Момент затяжки<br>(kg.m) |   |   |
|----------------------------|------|------|----|------------|-----|---|---|---|
|                            | Aø   |      | Bø | C*         | D   | E   | A | B |
|                            | Mín. | Máx. |    |            |     |   |   |   |
| MLDB.*-2230                | 20   | 22   | 30 | SEGUN NOTA | 85  | 85  | 3 | 3 |
| MLDB.*-2530                | 24   | 26   | 30 |            | 85  | 85  | 3 | 3 |
| MLDB.*-3030                | 28   | 30   | 30 |            | 85  | 85  | 3 | 3 |
| MLDB.*-3230                | 31   | 32   | 30 |            | 85  | 90  | 5 | 5 |
| MLDB.*-3530                | 33   | 35   | 30 |            | 85  | 90  | 5 | 5 |
| MLDB.*-3830                | 36   | 38   | 30 |            | 85  | 90  | 5 | 5 |
| MLDB.*-4330                | 40   | 43   | 30 |            | 85  | 90  | 5 | 5 |
| MLDB.*-2240                | 20   | 22   | 40 |            | 85  | 85  | 3 | 5 |
| MLDB.*-2540                | 24   | 26   | 40 |            | 85  | 85  | 3 | 5 |
| MLDB.*-3040                | 28   | 30   | 40 |            | 85  | 85  | 3 | 5 |
| MLDB.*-3240                | 31   | 32   | 40 |            | 85  | 90  | 3 | 5 |
| MLDB.*-3540                | 33   | 35   | 40 |            | 85  | 90  | 3 | 5 |
| MLDB.*-3840                | 36   | 38   | 40 |            | 85  | 90  | 3 | 5 |
| MLDB.*-4340                | 40   | 43   | 40 |            | 85  | 90  | 5 | 5 |
| MLDB.*-2250                | 20   | 22   | 50 |            | 100 | 85  | 3 | 5 |
| MLDB.*-2550                | 24   | 26   | 50 |            | 100 | 85  | 3 | 5 |
| MLDB.*-3050                | 28   | 30   | 50 |            | 100 | 85  | 3 | 5 |
| MLDB.*-3250                | 31   | 32   | 50 |            | 100 | 90  | 5 | 5 |
| MLDB.*-3550                | 33   | 35   | 50 |            | 100 | 90  | 5 | 5 |
| MLDB.*-3850                | 36   | 38   | 50 |            | 100 | 90  | 5 | 5 |
| MLDB.*-4350                | 40   | 43   | 50 |            | 100 | 90  | 5 | 5 |
| MLDB.*-2260                | 20   | 22   | 60 |            | 100 | 85  | 3 | 5 |
| MLDB.*-2560                | 24   | 26   | 60 |            | 100 | 85  | 3 | 5 |
| MLDB.*-3060                | 28   | 30   | 60 |            | 100 | 85  | 3 | 5 |
| MLDB.*-3260                | 31   | 32   | 60 |            | 100 | 90  | 5 | 5 |
| MLDB.*-3560                | 33   | 35   | 60 |            | 100 | 90  | 5 | 5 |
| MLDB.*-3860                | 36   | 38   | 60 |            | 100 | 90  | 5 | 5 |
| MLDB.*-4360                | 40   | 43   | 60 |            | 100 | 90  | 5 | 5 |





**NOTA**

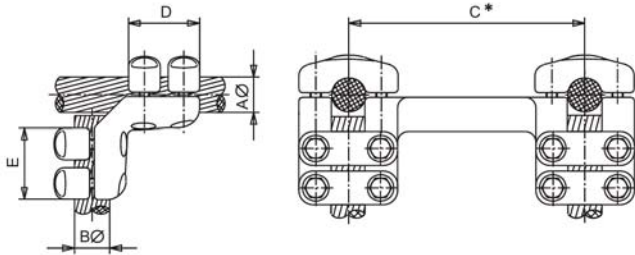
- C\***
- 1 = 100mm.
  - 15 = 150mm.
  - 2 = 200mm.
  - 3 = 300mm.
  - 33 = 330mm.
  - 4 = 400mm.
  - 45 = 450mm.

| Referencia<br>Code<br>Шифр | mm.  |      |      |      |            | C* | D  | E | Par de apriete<br>Tightening torque<br>Момент затяжки<br>(kg.m) |  |
|----------------------------|------|------|------|------|------------|----|----|---|---|--|
|                            | Aø   |      | Bø   |      | A          |    |    |   | B   |  |
|                            | Mín. | Máx. | Mín. | Máx. |            |    |    |   |   |  |
| MLDC.*2222                 | 20   | 22   | 20   | 22   | SEGUN NOTA | 85 | 85 | 3 | 3   |  |
| MLDC.*2225                 | 20   | 22   | 24   | 26   |            | 85 | 85 | 3 | 3   |  |
| MLDC.*2230                 | 20   | 22   | 28   | 30   |            | 85 | 85 | 3 | 3   |  |
| MLDC.*2522                 | 24   | 26   | 20   | 22   |            | 85 | 85 | 3 | 3   |  |
| MLDC.*2525                 | 24   | 26   | 24   | 26   |            | 85 | 85 | 3 | 3   |  |
| MLDC.*2530                 | 24   | 26   | 28   | 30   |            | 85 | 85 | 3 | 3   |  |
| MLDC.*3022                 | 28   | 30   | 20   | 22   |            | 85 | 85 | 3 | 3   |  |
| MLDC.*3025                 | 28   | 30   | 24   | 26   |            | 85 | 85 | 3 | 3   |  |
| MLDC.*3030                 | 28   | 30   | 28   | 30   |            | 85 | 85 | 3 | 3   |  |
| MLDC.*3032                 | 28   | 30   | 31   | 32   |            | 90 | 85 | 3 | 5   |  |
| MLDC.*3035                 | 28   | 30   | 33   | 35   |            | 90 | 85 | 3 | 5   |  |
| MLDC.*3038                 | 28   | 30   | 36   | 38   |            | 90 | 85 | 3 | 5   |  |
| MLDC.*3043                 | 28   | 30   | 40   | 43   |            | 90 | 85 | 3 | 5   |  |
| MLDC.*3222                 | 31   | 32   | 20   | 22   |            | 85 | 90 | 5 | 3   |  |
| MLDC.*3225                 | 31   | 32   | 24   | 26   |            | 85 | 90 | 5 | 3   |  |
| MLDC.*3230                 | 31   | 32   | 28   | 30   |            | 85 | 90 | 5 | 3   |  |
| MLDC.*3232                 | 31   | 32   | 31   | 32   |            | 90 | 90 | 5 | 5   |  |
| MLDC.*3235                 | 31   | 32   | 33   | 35   |            | 90 | 90 | 5 | 5   |  |
| MLDC.*3238                 | 31   | 32   | 36   | 38   |            | 90 | 90 | 5 | 5   |  |
| MLDC.*3243                 | 31   | 32   | 40   | 43   |            | 90 | 90 | 5 | 5   |  |
| MLDC.*3522                 | 33   | 35   | 20   | 22   |            | 85 | 90 | 5 | 3   |  |
| MLDC.*3525                 | 33   | 35   | 24   | 26   |            | 85 | 90 | 5 | 3   |  |
| MLDC.*3530                 | 33   | 35   | 28   | 30   |            | 85 | 90 | 5 | 3   |  |
| MLDC.*3532                 | 33   | 35   | 31   | 32   |            | 90 | 90 | 5 | 5   |  |
| MLDC.*3535                 | 33   | 35   | 33   | 35   |            | 90 | 90 | 5 | 5   |  |
| MLDC.*3538                 | 33   | 35   | 36   | 38   |            | 90 | 90 | 5 | 5   |  |
| MLDC.*3543                 | 33   | 35   | 40   | 43   |            | 90 | 90 | 5 | 5   |  |
| MLDC.*3822                 | 36   | 38   | 20   | 22   |            | 85 | 90 | 5 | 3   |  |
| MLDC.*3825                 | 36   | 38   | 24   | 26   |            | 85 | 90 | 5 | 3   |  |
| MLDC.*3830                 | 36   | 38   | 28   | 30   |            | 85 | 90 | 5 | 3   |  |
| MLDC.*3832                 | 36   | 38   | 31   | 32   |            | 90 | 90 | 5 | 5   |  |
| MLDC.*3835                 | 36   | 38   | 33   | 35   |            | 90 | 90 | 5 | 5   |  |
| MLDC.*3838                 | 36   | 38   | 36   | 38   |            | 90 | 90 | 5 | 5   |  |
| MLDC.*3843                 | 36   | 38   | 40   | 43   |            | 90 | 90 | 5 | 5   |  |
| MLDC.*4330                 | 40   | 43   | 28   | 30   |            | 85 | 90 | 5 | 3   |  |
| MLDC.*4332                 | 40   | 43   | 31   | 32   |            | 90 | 90 | 5 | 5   |  |
| MLDC.*4335                 | 40   | 43   | 33   | 35   |            | 90 | 90 | 5 | 5   |  |
| MLDC.*4338                 | 40   | 43   | 36   | 38   |            | 90 | 90 | 5 | 5   |  |
| MLDC.*4343                 | 40   | 43   | 40   | 43   |            | 90 | 90 | 5 | 5   |  |



L CONNECTOR DUPLEX CABLE TO DUPLEX CABLE

L-ОБРАЗНЫЙ ЗАЖИМ ДЛЯ СОЕДИНЕНИЯ СДВОЕННЫХ ПРОВОДОВ



MLDDC

NOTA

C\*

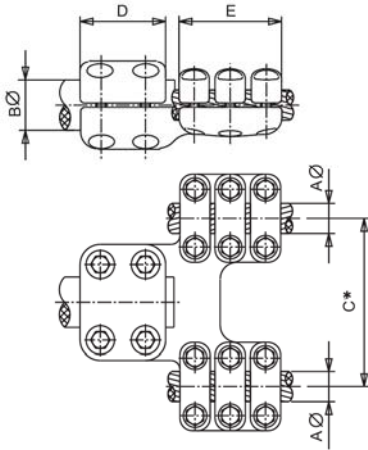
- 1 = 100mm.
- 15 = 150mm.
- 2 = 200mm.
- 3 = 300mm.
- 33 = 330mm.
- 4 = 400mm.
- 45 = 450mm.

| Referencia<br>Code<br>Шифр | mm.  |      |      |      |            | Par de apriete<br>Tightening torque<br>Момент затяжки<br>(kg.m) |    | A |   | B |  |
|----------------------------|------|------|------|------|------------|---|----|---|---|---|--|
|                            | Aø   |      | Bø   |      | C*         |   |    |   |   |   |  |
|                            | Mín. | Máx. | Mín. | Máx. |            |   |    |   |   |   |  |
| MLDDC.*2222                | 20   | 22   | 20   | 22   | SEGUN NOTA | 85  | 85 | 3 | 3 |   |  |
| MLDDC.*2225                | 20   | 22   | 24   | 26   |            | 85  | 85 | 3 | 3 |   |  |
| MLDDC.*2230                | 20   | 22   | 28   | 30   |            | 85  | 85 | 3 | 3 |   |  |
| MLDDC.*2522                | 24   | 26   | 20   | 22   |            | 85  | 85 | 3 | 3 |   |  |
| MLDDC.*2525                | 24   | 26   | 24   | 26   |            | 85  | 85 | 3 | 3 |   |  |
| MLDDC.*2530                | 24   | 26   | 28   | 30   |            | 85  | 85 | 3 | 3 |   |  |
| MLDDC.*3022                | 28   | 30   | 20   | 22   |            | 85  | 85 | 3 | 3 |   |  |
| MLDDC.*3025                | 28   | 30   | 24   | 26   |            | 85  | 85 | 3 | 3 |   |  |
| MLDDC.*3030                | 28   | 30   | 28   | 30   |            | 85  | 85 | 3 | 3 |   |  |
| MLDDC.*3230                | 31   | 32   | 28   | 30   |            | 85  | 90 | 5 | 3 |   |  |
| MLDDC.*3232                | 31   | 32   | 31   | 32   |            | 90  | 90 | 5 | 5 |   |  |
| MLDDC.*3235                | 31   | 32   | 33   | 35   |            | 90  | 90 | 5 | 5 |   |  |
| MLDDC.*3238                | 31   | 32   | 36   | 38   |            | 90  | 90 | 5 | 5 |   |  |
| MLDDC.*3243                | 31   | 32   | 40   | 43   |            | 90  | 90 | 5 | 5 |   |  |
| MLDDC.*3530                | 33   | 35   | 28   | 30   |            | 85  | 90 | 5 | 3 |   |  |
| MLDDC.*3532                | 33   | 35   | 31   | 32   |            | 90  | 90 | 5 | 5 |   |  |
| MLDDC.*3535                | 33   | 35   | 33   | 35   |            | 90  | 90 | 5 | 5 |   |  |
| MLDDC.*3538                | 33   | 35   | 36   | 38   |            | 90  | 90 | 5 | 5 |   |  |
| MLDDC.*3543                | 33   | 35   | 40   | 43   |            | 90  | 90 | 5 | 5 |   |  |
| MLDDC.*3830                | 36   | 38   | 28   | 30   |            | 85  | 90 | 5 | 3 |   |  |
| MLDDC.*3832                | 36   | 38   | 31   | 32   |            | 90  | 90 | 5 | 5 |   |  |
| MLDDC.*3835                | 36   | 38   | 33   | 35   |            | 90  | 90 | 5 | 5 |   |  |
| MLDDC.*3838                | 36   | 38   | 36   | 38   |            | 90  | 90 | 5 | 5 |   |  |
| MLDDC.*3843                | 36   | 38   | 40   | 43   |            | 90  | 90 | 5 | 5 |   |  |
| MLDDC.*4330                | 40   | 43   | 28   | 30   |            | 85  | 90 | 5 | 3 |   |  |
| MLDDC.*4332                | 40   | 43   | 31   | 32   |            | 90  | 90 | 5 | 5 |   |  |
| MLDDC.*4335                | 40   | 43   | 33   | 35   |            | 90  | 90 | 5 | 5 |   |  |
| MLDDC.*4338                | 40   | 43   | 36   | 38   |            | 90  | 90 | 5 | 5 |   |  |
| MLDDC.*4343                | 40   | 43   | 40   | 43   |            | 90  | 90 | 5 | 5 |   |  |



**STRAIGHT CONNECTOR DUPLEX CABLE TO STUD**

**ПРЯМОЙ ЗАЖИМ ДЛЯ ПРИСОЕДИНЕНИЯ СТЕРЖНЯ К  
СДВОЕННОМУ ПРОВОДУ**



**MRD3BT**

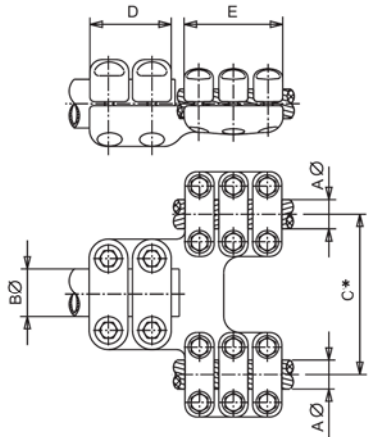
**NOTA**

- C\***
- 1 = 100mm.
  - 15 = 150mm.
  - 2 = 200mm.
  - 3 = 300mm.
  - 33 = 330mm.
  - 4 = 400mm.
  - 45 = 450mm.

| Referencia<br>Code<br>Шифр | mm.  |      |    |            |     | Par de apriete<br>Tightening torque<br>Момент затяжки<br>(kg.m) |   |   |
|----------------------------|------|------|----|------------|-----|---|---|---|
|                            | Aø   |      | Bø | C*         | D   | E   | A | B |
|                            | Mín. | Máx. |    |            |     |   |   |   |
| MRD3BT*-3030               | 28   | 30   | 30 | SEGUN NOTA | 85  | 138   | 5 | 5 |
| MRD3BT*-3230               | 31   | 32   | 30 |            | 85  | 138   | 5 | 5 |
| MRD3BT*-3530               | 33   | 35   | 30 |            | 85  | 138   | 5 | 5 |
| MRD3BT*-3830               | 36   | 38   | 30 |            | 85  | 138   | 5 | 5 |
| MRD3BT*-4330               | 40   | 43   | 30 |            | 85  | 138   | 5 | 5 |
| MRD3BT*-3040               | 28   | 30   | 40 |            | 85  | 138   | 5 | 5 |
| MRD3BT*-3240               | 31   | 32   | 40 |            | 85  | 138   | 5 | 5 |
| MRD3BT*-3540               | 33   | 35   | 40 |            | 85  | 138   | 5 | 5 |
| MRD3BT*-3840               | 36   | 38   | 40 |            | 85  | 138   | 5 | 5 |
| MRD3BT*-4340               | 40   | 43   | 40 |            | 85  | 138   | 5 | 5 |
| MRD3BT*-3050               | 28   | 30   | 50 |            | 100 | 138   | 5 | 5 |
| MRD3BT*-3250               | 31   | 32   | 50 |            | 100 | 138   | 5 | 5 |
| MRD3BT*-3550               | 33   | 35   | 50 |            | 100 | 138   | 5 | 5 |
| MRD3BT*-3850               | 36   | 38   | 50 |            | 100 | 138   | 5 | 5 |
| MRD3BT*-4350               | 40   | 43   | 50 |            | 100 | 138   | 5 | 5 |
| MRD3BT*-3060               | 28   | 30   | 60 |            | 100 | 138   | 5 | 5 |
| MRD3BT*-3260               | 31   | 32   | 60 |            | 100 | 138   | 5 | 5 |
| MRD3BT*-3560               | 33   | 35   | 60 |            | 100 | 138   | 5 | 5 |
| MRD3BT*-3860               | 36   | 38   | 60 |            | 100 | 138   | 5 | 5 |
| MRD3BT*-4360               | 40   | 43   | 60 |            | 100 | 138   | 5 | 5 |

**STRAIGHT CONNECTOR DUPLEX CABLE TO TUBE**

**ПРЯМОЙ ЗАЖИМ ДЛЯ ПРИСОЕДИНЕНИЯ ТРУБЫ К  
СДВОЕННОМУ ПРОВОДУ**



**MRD3B**

**NOTA**

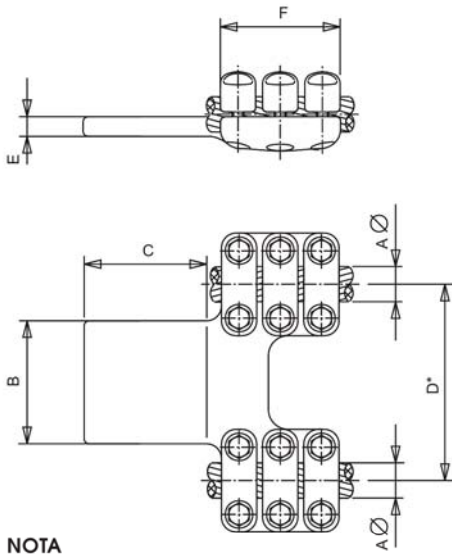
- C\***
- 1 = 100mm.
  - 15 = 150mm.
  - 2 = 200mm.
  - 3 = 300mm.
  - 33 = 330mm.
  - 4 = 400mm.
  - 45 = 450mm.

| Referencia<br>Code<br>Шифр | mm.  |      |    |            |     | Par de apriete<br>Tightening torque<br>Момент затяжки<br>(kg.m) |   |   |
|----------------------------|------|------|----|------------|-----|---|---|---|
|                            | Aø   |      | Bø | C*         | D   | E   | A | B |
|                            | Mín. | Máx. |    |            |     |   |   |   |
| MRD3B.*-3030               | 28   | 30   | 30 | SEGUN NOTA | 85  | 138   | 5 | 5 |
| MRD3B.*-3230               | 31   | 32   | 30 |            | 85  | 138   | 5 | 5 |
| MRD3B.*-3530               | 33   | 35   | 30 |            | 85  | 138   | 5 | 5 |
| MRD3B.*-3830               | 36   | 38   | 30 |            | 85  | 138   | 5 | 5 |
| MRD3B.*-4330               | 40   | 43   | 30 |            | 85  | 138   | 5 | 5 |
| MRD3B.*-3040               | 28   | 30   | 40 |            | 85  | 138   | 5 | 5 |
| MRD3B.*-3240               | 31   | 32   | 40 |            | 85  | 138   | 5 | 5 |
| MRD3B.*-3540               | 33   | 35   | 40 |            | 85  | 138   | 5 | 5 |
| MRD3B.*-3840               | 36   | 38   | 40 |            | 85  | 138   | 5 | 5 |
| MRD3B.*-4340               | 40   | 43   | 40 |            | 85  | 138   | 5 | 5 |
| MRD3B.*-3050               | 28   | 30   | 50 |            | 100 | 138   | 5 | 5 |
| MRD3B.*-3250               | 31   | 32   | 50 |            | 100 | 138   | 5 | 5 |
| MRD3B.*-3550               | 33   | 35   | 50 |            | 100 | 138   | 5 | 5 |
| MRD3B.*-3850               | 36   | 38   | 50 |            | 100 | 138   | 5 | 5 |
| MRD3B.*-4350               | 40   | 43   | 50 |            | 100 | 138   | 5 | 5 |
| MRD3B.*-3060               | 28   | 30   | 60 |            | 100 | 138   | 5 | 5 |
| MRD3B.*-3260               | 31   | 32   | 60 |            | 100 | 138   | 5 | 5 |
| MRD3B.*-3560               | 33   | 35   | 60 |            | 100 | 138   | 5 | 5 |
| MRD3B.*-3860               | 36   | 38   | 60 |            | 100 | 138   | 5 | 5 |
| MRD3B.*-4360               | 40   | 43   | 60 |            | 100 | 138   | 5 | 5 |



### STRAIGHT CONNECTOR DUPLEX CABLE TO FLATBAR

#### ПРЯМОЙ ЗАЖИМ ДЛЯ ПРИСОЕДИНЕНИЯ СДВОЕННОГО ПРОВОДА К АППАРАТАМ



NOTA

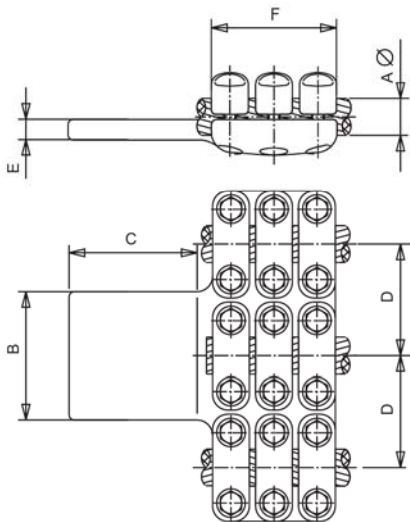
- D\***
- 1 = 100mm.
  - 15 = 150mm.
  - 2 = 200mm.
  - 3 = 300mm.
  - 33 = 330mm.
  - 4 = 400mm.
  - 45 = 450mm.

**MRD3P**

| Referencia<br>Code<br>Шифр | m.m. |      |     |     |            |    |     | Par de apriete<br>Tightening torque<br>Момент затяжки<br>(kg.m) |
|----------------------------|------|------|-----|-----|------------|----|-----|---|
|                            | A∅   |      | B   | C   | D*         | E  | F   |   |
|                            | Mín. | Máx. |     |     |            |    |     |   |
| MRD3P.*-3055               | 28   | 30   | 80  | 80  | SEGUN NOTA | 15 | 138 | 5   |
| MRD3P.*-3066               | 28   | 30   | 100 | 100 |            | 15 | 138 | 5   |
| MRD3P.*-3088               | 28   | 30   | 125 | 125 |            | 15 | 138 | 5   |
| MRD3P.*-30106              | 28   | 30   | 200 | 100 |            | 15 | 138 | 5   |
| MRD3P.*-3255               | 31   | 32   | 80  | 80  |            | 15 | 138 | 5   |
| MRD3P.*-3266               | 31   | 32   | 100 | 100 |            | 15 | 138 | 5   |
| MRD3P.*-3288               | 31   | 32   | 125 | 125 |            | 15 | 138 | 5   |
| MRD3P.*-32106              | 31   | 32   | 200 | 100 |            | 15 | 138 | 5   |
| MRD3P.*-3555               | 33   | 35   | 80  | 80  |            | 15 | 138 | 5   |
| MRD3P.*-3566               | 33   | 35   | 100 | 100 |            | 15 | 138 | 5   |
| MRD3P.*-3588               | 33   | 35   | 125 | 125 |            | 15 | 138 | 5   |
| MRD3P.*-35106              | 33   | 35   | 200 | 100 |            | 15 | 138 | 5   |
| MRD3P.*-3855               | 36   | 38   | 80  | 80  |            | 15 | 138 | 5   |
| MRD3P.*-3866               | 36   | 38   | 100 | 100 |            | 15 | 138 | 5   |
| MRD3P.*-3888               | 36   | 38   | 125 | 125 |            | 15 | 138 | 5   |
| MRD3P.*-38106              | 36   | 38   | 200 | 100 |            | 15 | 138 | 5   |
| MRD3P.*-4355               | 40   | 43   | 80  | 80  |            | 15 | 138 | 5   |
| MRD3P.*-4366               | 40   | 43   | 100 | 100 |            | 15 | 138 | 5   |
| MRD3P.*-4388               | 40   | 43   | 125 | 125 |            | 15 | 138 | 5   |
| MRD3P.*-43106              | 40   | 43   | 200 | 100 |            | 15 | 138 | 5   |

### STRAIGHT CONNECTOR TRIPLE CABLE TO FLATBAR

#### ПРЯМОЙ ЗАЖИМ ДЛЯ ПРИСОЕДИНЕНИЯ ТРОЙНОГО ПРОВОДА К АППАРАТАМ



**MR3C3P**

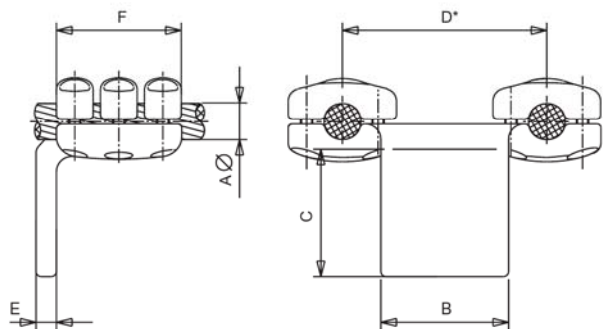
| Referencia<br>Code<br>Шифр | m.m. |      |     |     |     |    |     | Par de apriete<br>Tightening torque<br>Момент затяжки<br>(kg.m) |
|----------------------------|------|------|-----|-----|-----|----|-----|---|
|                            | A∅   |      | B   | C   | D   | E  | F   |   |
|                            | Mín. | Máx. |     |     |     |    |     |   |
| MR3C3P.*-3055              | 28   | 30   | 80  | 80  | 110 | 15 | 138 | 5   |
| MR3C3P.*-3066              | 28   | 30   | 100 | 100 | 110 | 15 | 138 | 5   |
| MR3C3P.*-3088              | 28   | 30   | 125 | 125 | 110 | 15 | 138 | 5   |
| MR3C3P.*-30106             | 28   | 30   | 200 | 100 | 110 | 15 | 138 | 5   |
| MR3C3P.*-3255              | 31   | 32   | 80  | 80  | 110 | 15 | 138 | 5   |
| MR3C3P.*-3266              | 31   | 32   | 100 | 100 | 110 | 15 | 138 | 5   |
| MR3C3P.*-3288              | 31   | 32   | 125 | 125 | 110 | 15 | 138 | 5   |
| MR3C3P.*-32106             | 31   | 32   | 200 | 100 | 110 | 15 | 138 | 5   |
| MR3C3P.*-3555              | 33   | 35   | 80  | 80  | 110 | 15 | 138 | 5   |
| MR3C3P.*-3566              | 33   | 35   | 100 | 100 | 110 | 15 | 138 | 5   |
| MR3C3P.*-3588              | 33   | 35   | 125 | 125 | 110 | 15 | 138 | 5   |
| MR3C3P.*-35106             | 33   | 35   | 200 | 100 | 110 | 15 | 138 | 5   |
| MR3C3P.*-3855              | 36   | 38   | 80  | 80  | 110 | 15 | 138 | 5   |
| MR3C3P.*-3866              | 36   | 38   | 100 | 100 | 110 | 15 | 138 | 5   |
| MR3C3P.*-3888              | 36   | 38   | 125 | 125 | 110 | 15 | 138 | 5   |
| MR3C3P.*-38106             | 36   | 38   | 200 | 100 | 110 | 15 | 138 | 5   |
| MR3C3P.*-4355              | 40   | 43   | 80  | 80  | 110 | 15 | 138 | 5   |
| MR3C3P.*-4366              | 40   | 43   | 100 | 100 | 110 | 15 | 138 | 5   |
| MR3C3P.*-4388              | 40   | 43   | 125 | 125 | 110 | 15 | 138 | 5   |
| MR3C3P.*-43106             | 40   | 43   | 200 | 100 | 110 | 15 | 138 | 5   |





### L CONNECTOR DUPLEX CABLE TO FLATBAR

#### L-ОБРАЗНЫЙ ЗАЖИМ ДЛЯ ПРИСОЕДИНЕНИЯ ПРОВОДОВ К АППАРАТАМ



MLD3P

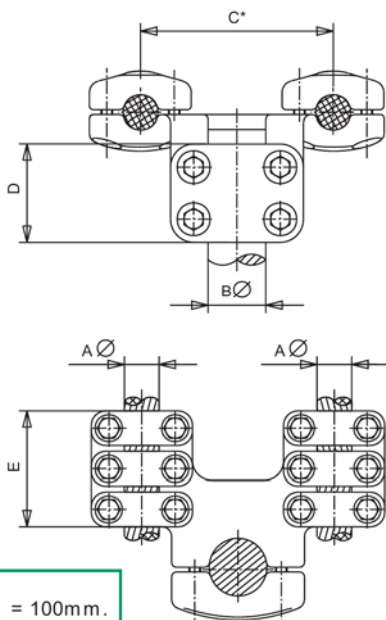
**NOTA**

- D\***
- 1 = 100mm.
  - 15 = 150mm.
  - 2 = 200mm.
  - 3 = 300mm.
  - 33 = 330mm.
  - 4 = 400mm.
  - 45 = 450mm.

| Referencia<br>Code<br>Шифр | mm.  |      |     |     |            |     | Par de apriete<br>Tightening torque<br>Момент затяжки<br>(kg.m) |   |
|----------------------------|------|------|-----|-----|------------|-----|---|---|
|                            | AØ   |      | B   | C   | D*         | E   |   | F |
|                            | Mín. | Máx. |     |     |            |     |   |   |
| MLD3P*-3055                | 28   | 30   | 80  | 80  | SEGUN NOTA | 15  | 138   | 5 |
| MLD3P*-3066                | 28   | 30   | 100 | 100 |            | 15  | 138   | 5 |
| MLD3P*-3088                | 28   | 30   | 125 | 125 |            | 15  | 138   | 5 |
| MLD3P*-30106               | 28   | 30   | 200 | 100 |            | 15  | 138   | 5 |
| MLD3P*-3255                | 31   | 32   | 80  | 80  |            | 15  | 138   | 5 |
| MLD3P*-3266                | 31   | 32   | 100 | 100 |            | 15  | 138   | 5 |
| MLD3P*-3288                | 31   | 32   | 125 | 125 |            | 15  | 138   | 5 |
| MLD3P*-32106               | 31   | 32   | 200 | 100 |            | 15  | 138   | 5 |
| MLD3P*-3555                | 33   | 35   | 80  | 80  |            | 15  | 138   | 5 |
| MLD3P*-3566                | 33   | 35   | 100 | 100 |            | 15  | 138   | 5 |
| MLD3P*-3588                | 33   | 35   | 125 | 125 |            | 15  | 138   | 5 |
| MLD3P*-35106               | 33   | 35   | 200 | 100 |            | 15  | 138   | 5 |
| MLD3P*-3855                | 36   | 38   | 80  | 80  |            | 15  | 138   | 5 |
| MLD3P*-3866                | 36   | 38   | 100 | 100 |            | 15  | 138   | 5 |
| MLD3P*-3888                | 36   | 38   | 125 | 125 |            | 15  | 138   | 5 |
| MLD3P*-38106               | 36   | 38   | 200 | 100 |            | 15  | 138   | 5 |
| MLD3P*-4355                | 40   | 43   | 80  | 80  | 15         | 138 | 5   |   |
| MLD3P*-4366                | 40   | 43   | 100 | 100 | 15         | 138 | 5   |   |
| MLD3P*-4388                | 40   | 43   | 125 | 125 | 15         | 138 | 5   |   |
| MLD3P*-43106               | 40   | 43   | 200 | 100 | 15         | 138 | 5   |   |

### L CONNECTOR DUPLEX CABLE TO STUD

#### L-ОБРАЗНЫЙ ЗАЖИМ ДЛЯ ПРИСОЕДИНЕНИЯ СТЕРЖНЯ К АППАРАТАМ



MLD3BT

**NOTA**

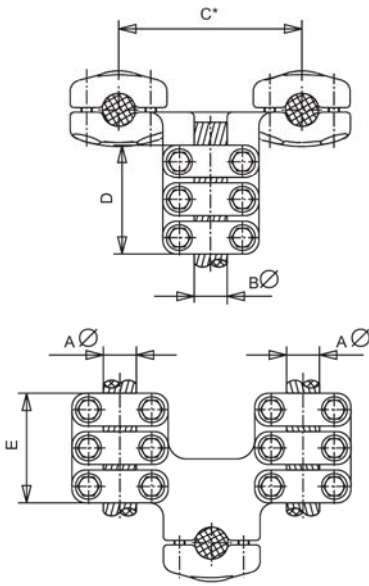
- C\***
- 1 = 100mm.
  - 15 = 150mm.
  - 2 = 200mm.
  - 3 = 300mm.
  - 33 = 330mm.
  - 4 = 400mm.
  - 45 = 450mm.

| Referencia<br>Code<br>Шифр | mm.  |      |    |            |     | Par de apriete<br>Tightening torque<br>Момент затяжки<br>(kg.m) |   |   |
|----------------------------|------|------|----|------------|-----|---|---|---|
|                            | AØ   |      | BØ | C*         | D   | E   | A | B |
|                            | Mín. | Máx. |    |            |     |   |   |   |
| MLD3BT*-3030               | 28   | 30   | 30 | SEGUN NOTA | 85  | 138   | 5 | 5 |
| MLD3BT*-3230               | 31   | 32   | 30 |            | 85  | 138   | 5 | 5 |
| MLD3BT*-3530               | 33   | 35   | 30 |            | 85  | 138   | 5 | 5 |
| MLD3BT*-3830               | 36   | 38   | 30 |            | 85  | 138   | 5 | 5 |
| MLD3BT*-4330               | 40   | 43   | 30 |            | 85  | 138   | 5 | 5 |
| MLD3BT*-3040               | 28   | 30   | 40 |            | 85  | 138   | 5 | 5 |
| MLD3BT*-3240               | 31   | 32   | 40 |            | 85  | 138   | 5 | 5 |
| MLD3BT*-3540               | 33   | 35   | 40 |            | 85  | 138   | 5 | 5 |
| MLD3BT*-3840               | 36   | 38   | 40 |            | 85  | 138   | 5 | 5 |
| MLD3BT*-4340               | 40   | 43   | 40 |            | 85  | 138   | 5 | 5 |
| MLD3BT*-3050               | 28   | 30   | 50 |            | 100 | 138   | 5 | 5 |
| MLD3BT*-3250               | 31   | 32   | 50 |            | 100 | 138   | 5 | 5 |
| MLD3BT*-3550               | 33   | 35   | 50 |            | 100 | 138   | 5 | 5 |
| MLD3BT*-3850               | 36   | 38   | 50 |            | 100 | 138   | 5 | 5 |
| MLD3BT*-4350               | 40   | 43   | 50 |            | 100 | 138   | 5 | 5 |
| MLD3BT*-3060               | 28   | 30   | 60 |            | 100 | 138   | 5 | 5 |
| MLD3BT*-3260               | 31   | 32   | 60 | 100        | 138 | 5   | 5 |   |
| MLD3BT*-3560               | 33   | 35   | 60 | 100        | 138 | 5   | 5 |   |
| MLD3BT*-3860               | 36   | 38   | 60 | 100        | 138 | 5   | 5 |   |
| MLD3BT*-4360               | 40   | 43   | 60 | 100        | 138 | 5   | 5 |   |



L CONNECTOR DUPLEX CABLE TO CABLE

L-ОБРАЗНЫЙ ЗАЖИМ ДЛЯ СОЕДИНЕНИЯ ПРОВОДОВ



MLD3C

NOTA

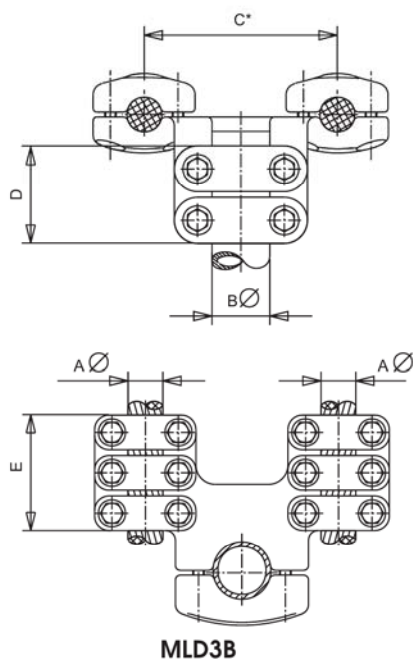
- C\*  
 • 1 = 100mm.  
 • 15 = 150mm.  
 • 2 = 200mm.  
 • 3 = 300mm.  
 • 33 = 330mm.  
 • 4 = 400mm.  
 • 45 = 450mm.

| Referencia<br>Code<br>Шифр | mm.             |      |                 |      |            |     | Par de apriete<br>Tightening torque<br>Момент затяжки<br>(kg.m) |   |   |
|----------------------------|-----------------|------|-----------------|------|------------|-----|---|---|---|
|                            | A $\varnothing$ |      | B $\varnothing$ |      | C*         | D   | E   | A | B |
|                            | Mín.            | Máx. | Mín.            | Máx. |            |     |   |   |   |
| MLD3C.*3032                | 28              | 30   | 31              | 32   | SEGUN NOTA | 138 | 138   | 3 | 5 |
| MLD3C.*3035                | 28              | 30   | 33              | 35   |            | 138 | 138   | 3 | 5 |
| MLD3C.*3038                | 28              | 30   | 36              | 38   |            | 138 | 138   | 3 | 5 |
| MLD3C.*3043                | 28              | 30   | 40              | 43   |            | 138 | 138   | 3 | 5 |
| MLD3C.*3230                | 31              | 32   | 28              | 30   |            | 138 | 138   | 5 | 3 |
| MLD3C.*3232                | 31              | 32   | 31              | 32   |            | 138 | 138   | 5 | 5 |
| MLD3C.*3235                | 31              | 32   | 33              | 35   |            | 138 | 138   | 5 | 5 |
| MLD3C.*3238                | 31              | 32   | 36              | 38   |            | 138 | 138   | 5 | 5 |
| MLD3C.*3243                | 31              | 32   | 40              | 43   |            | 138 | 138   | 5 | 5 |
| MLD3C.*3530                | 33              | 35   | 28              | 30   |            | 138 | 138   | 5 | 3 |
| MLD3C.*3532                | 33              | 35   | 31              | 32   |            | 138 | 138   | 5 | 5 |
| MLD3C.*3535                | 33              | 35   | 33              | 35   |            | 138 | 138   | 5 | 5 |
| MLD3C.*3538                | 33              | 35   | 36              | 38   |            | 138 | 138   | 5 | 5 |
| MLD3C.*3543                | 33              | 35   | 40              | 43   |            | 138 | 138   | 5 | 5 |
| MLD3C.*3830                | 36              | 38   | 28              | 30   |            | 138 | 138   | 5 | 3 |
| MLD3C.*3832                | 36              | 38   | 31              | 32   |            | 138 | 138   | 5 | 5 |
| MLD3C.*3835                | 36              | 38   | 33              | 35   |            | 138 | 138   | 5 | 5 |
| MLD3C.*3838                | 36              | 38   | 36              | 38   |            | 138 | 138   | 5 | 5 |
| MLD3C.*3843                | 36              | 38   | 40              | 43   |            | 138 | 138   | 5 | 5 |
| MLD3C.*4330                | 40              | 43   | 28              | 30   |            | 138 | 138   | 5 | 3 |
| MLD3C.*4332                | 40              | 43   | 31              | 32   |            | 138 | 138   | 5 | 5 |
| MLD3C.*4335                | 40              | 43   | 33              | 35   |            | 138 | 138   | 5 | 5 |
| MLD3C.*4338                | 40              | 43   | 36              | 38   |            | 138 | 138   | 5 | 5 |
| MLD3C.*4343                | 40              | 43   | 40              | 43   |            | 138 | 138   | 5 | 5 |



## L CONNECTOR DUPLEX CABLE TO TUBE

### L-ОБРАЗНЫЙ ЗАЖИМ ДЛЯ ПРИСОЕДИНЕНИЯ ТРУБЫ К СДВОЕНОМУ ПРОВОДУ

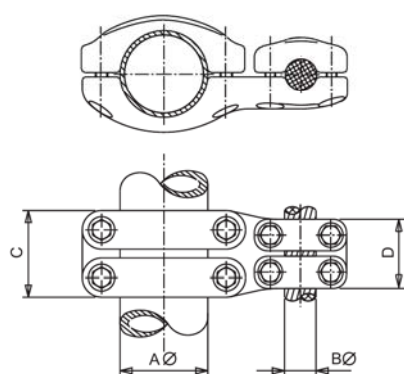


#### NOTA

- C\***
- 1 = 100mm.
  - 15 = 150mm.
  - 2 = 200mm.
  - 3 = 300mm.
  - 33 = 330mm.
  - 4 = 400mm.
  - 45 = 450mm.

| Referencia<br>Code<br>Шифр | mm.             |      |                 |            |     | Par de apriete<br>Tightening torque<br>Момент затяжки<br>(kg.m) |   |   |
|----------------------------|-----------------|------|-----------------|------------|-----|---|---|---|
|                            | A $\varnothing$ |      | B $\varnothing$ | C*         | D   | E   | A | B |
|                            | Mín.            | Máx. |                 |            |     |   |   |   |
| MLD3B.*-3030               | 28              | 30   | 30              | SEGUN NOTA | 85  | 138   | 5 | 5 |
| MLD3B.*-3230               | 31              | 32   | 30              |            | 85  | 138   | 5 | 5 |
| MLD3B.*-3530               | 33              | 35   | 30              |            | 85  | 138   | 5 | 5 |
| MLD3B.*-3830               | 36              | 38   | 30              |            | 85  | 138   | 5 | 5 |
| MLD3B.*-4330               | 40              | 43   | 30              |            | 85  | 138   | 5 | 5 |
| MLD3B.*-3040               | 28              | 30   | 40              |            | 85  | 138   | 5 | 5 |
| MLD3B.*-3240               | 31              | 32   | 40              |            | 85  | 138   | 5 | 5 |
| MLD3B.*-3540               | 33              | 35   | 40              |            | 85  | 138   | 5 | 5 |
| MLD3B.*-3840               | 36              | 38   | 40              |            | 85  | 138   | 5 | 5 |
| MLD3B.*-4340               | 40              | 43   | 40              |            | 85  | 138   | 5 | 5 |
| MLD3B.*-3050               | 28              | 30   | 50              |            | 100 | 138   | 5 | 5 |
| MLD3B.*-3250               | 31              | 32   | 50              |            | 100 | 138   | 5 | 5 |
| MLD3B.*-3550               | 33              | 35   | 50              |            | 100 | 138   | 5 | 5 |
| MLD3B.*-3850               | 36              | 38   | 50              |            | 100 | 138   | 5 | 5 |
| MLD3B.*-4350               | 40              | 43   | 50              |            | 100 | 138   | 5 | 5 |
| MLD3B.*-3060               | 28              | 30   | 60              |            | 100 | 138   | 5 | 5 |
| MLD3B.*-3260               | 31              | 32   | 60              |            | 100 | 138   | 5 | 5 |
| MLD3B.*-3560               | 33              | 35   | 60              |            | 100 | 138   | 5 | 5 |
| MLD3B.*-3860               | 36              | 38   | 60              |            | 100 | 138   | 5 | 5 |
| MLD3B.*-4360               | 40              | 43   | 60              |            | 100 | 138   | 5 | 5 |



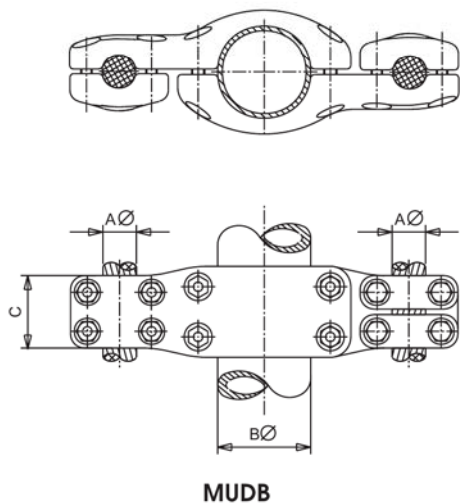


MUBC

| Referencia<br>Code<br>Шифр | mm.             |                 |      |     | Par de apriete<br>Tightening torque<br>Момент затяжки<br>(kg.m) |   |   |
|----------------------------|-----------------|-----------------|------|-----|---|---|---|
|                            | A $\varnothing$ | B $\varnothing$ |      | C   | D   | A | B |
|                            |                 | Mín.            | Máx. |     |   |   |   |
| MUBC-5022                  | 50              | 20              | 22   | 100 | 85  | 5 | 3 |
| MUBC-5025                  | 50              | 24              | 26   | 100 | 85  | 5 | 3 |
| MUBC-5030                  | 50              | 28              | 30   | 100 | 85  | 5 | 3 |
| MUBC-5032                  | 50              | 31              | 32   | 100 | 90  | 5 | 5 |
| MUBC-5035                  | 50              | 33              | 35   | 100 | 90  | 5 | 5 |
| MUBC-5038                  | 50              | 36              | 38   | 100 | 90  | 5 | 5 |
| MUBC-5043                  | 50              | 40              | 43   | 100 | 90  | 5 | 5 |
| MUBC-6022                  | 60              | 20              | 22   | 100 | 85  | 5 | 3 |
| MUBC-6025                  | 60              | 24              | 26   | 100 | 85  | 5 | 3 |
| MUBC-6030                  | 60              | 28              | 30   | 100 | 85  | 5 | 3 |
| MUBC-6032                  | 60              | 31              | 32   | 100 | 90  | 5 | 5 |
| MUBC-6035                  | 60              | 33              | 35   | 100 | 90  | 5 | 5 |
| MUBC-6038                  | 60              | 36              | 38   | 100 | 90  | 5 | 5 |
| MUBC-6043                  | 60              | 40              | 43   | 100 | 90  | 5 | 5 |
| MUBC-8022                  | 80              | 20              | 22   | 100 | 85  | 5 | 3 |
| MUBC-8025                  | 80              | 24              | 26   | 100 | 85  | 5 | 3 |
| MUBC-8030                  | 80              | 28              | 30   | 100 | 85  | 5 | 3 |
| MUBC-8032                  | 80              | 31              | 32   | 100 | 90  | 5 | 5 |
| MUBC-8035                  | 80              | 33              | 35   | 100 | 90  | 5 | 5 |
| MUBC-8038                  | 80              | 36              | 38   | 100 | 90  | 5 | 5 |
| MUBC-8043                  | 80              | 40              | 43   | 100 | 90  | 5 | 5 |
| MUBC-10022                 | 100             | 20              | 22   | 110 | 85  | 5 | 3 |
| MUBC-10025                 | 100             | 24              | 26   | 110 | 85  | 5 | 3 |
| MUBC-10030                 | 100             | 28              | 30   | 110 | 85  | 5 | 3 |
| MUBC-10032                 | 100             | 31              | 32   | 110 | 90  | 5 | 5 |
| MUBC-10035                 | 100             | 33              | 35   | 110 | 90  | 5 | 5 |
| MUBC-10038                 | 100             | 36              | 38   | 110 | 90  | 5 | 5 |
| MUBC-10043                 | 100             | 40              | 43   | 110 | 90  | 5 | 5 |
| MUBC-12030                 | 120             | 28              | 30   | 110 | 90  | 7 | 5 |
| MUBC-12032                 | 120             | 31              | 32   | 110 | 90  | 7 | 5 |
| MUBC-12035                 | 120             | 33              | 35   | 110 | 90  | 7 | 5 |
| MUBC-12038                 | 120             | 36              | 38   | 110 | 90  | 7 | 5 |
| MUBC-12043                 | 120             | 40              | 43   | 110 | 90  | 7 | 5 |
| MUBC-15030                 | 150             | 28              | 30   | 110 | 90  | 7 | 5 |
| MUBC-15032                 | 150             | 31              | 32   | 120 | 90  | 7 | 5 |
| MUBC-15035                 | 150             | 33              | 35   | 120 | 90  | 7 | 5 |
| MUBC-15038                 | 150             | 36              | 38   | 120 | 90  | 7 | 5 |
| MUBC-15043                 | 150             | 40              | 43   | 120 | 90  | 7 | 5 |

PARALLEL CONNECTOR UNION CABLE DUPLEX TO TUBE

ПАРАЛЛЕЛЬНЫЙ ЗАЖИМ ДЛЯ ПРИСОЕДИНЕНИЯ СДВОЕННОГО  
ПРОВОДА К ТРУБЕ

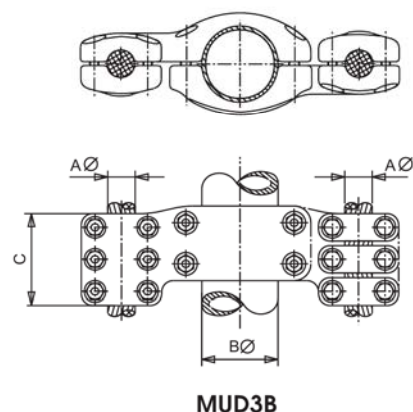


MUDB

| Referencia<br>Code<br>Шифр | mm.             |      |                 | Par de apriete<br>Tightening torque<br>Момент затяжки<br>(kg.m) |   |   |
|----------------------------|-----------------|------|-----------------|---|---|---|
|                            | A $\varnothing$ |      | B $\varnothing$ | C   | A | B |
|                            | Mín.            | Máx. |                 |   |   |   |
| MUDB-22100                 | 20              | 22   | 100             | 85  | 3 | 5 |
| MUDB-25100                 | 24              | 26   | 100             | 85  | 3 | 5 |
| MUDB-30100                 | 28              | 30   | 100             | 85  | 3 | 5 |
| MUDB-32100                 | 31              | 32   | 100             | 90  | 5 | 5 |
| MUDB-35100                 | 33              | 35   | 100             | 90  | 5 | 5 |
| MUDB-38100                 | 36              | 38   | 100             | 90  | 5 | 5 |
| MUDB-43100                 | 40              | 43   | 100             | 90  | 5 | 5 |
| MUDB-22120                 | 20              | 22   | 120             | 90  | 5 | 7 |
| MUDB-25120                 | 24              | 26   | 120             | 90  | 5 | 7 |
| MUDB-30120                 | 28              | 30   | 120             | 90  | 5 | 7 |
| MUDB-32120                 | 31              | 32   | 120             | 90  | 5 | 7 |
| MUDB-35120                 | 33              | 35   | 120             | 90  | 5 | 7 |
| MUDB-38120                 | 36              | 38   | 120             | 90  | 5 | 7 |
| MUDB-43120                 | 40              | 43   | 120             | 90  | 5 | 7 |
| MUDB-30150                 | 28              | 30   | 150             | 90  | 5 | 7 |
| MUDB-32150                 | 31              | 32   | 150             | 90  | 5 | 7 |
| MUDB-35150                 | 33              | 35   | 150             | 90  | 5 | 7 |
| MUDB-38150                 | 36              | 38   | 150             | 90  | 5 | 7 |
| MUDB-43150                 | 40              | 43   | 150             | 90  | 5 | 7 |

PARALLEL CONNECTOR UNION CABLE DUPLEX TO TUBE

ПАРАЛЛЕЛЬНЫЙ ЗАЖИМ ДЛЯ ПРИСОЕДИНЕНИЯ СДВОЕННОГО  
ПРОВОДА К ТРУБЕ



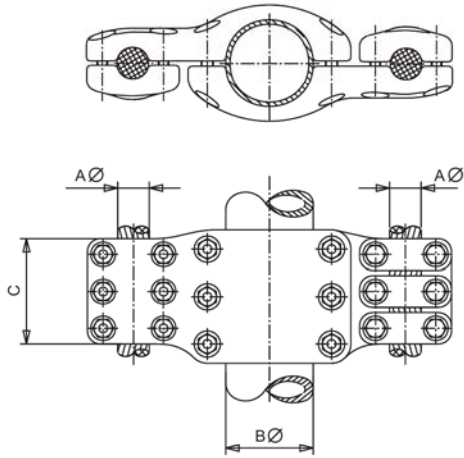
MUD3B

| Referencia<br>Code<br>Шифр | mm.             |      |                 | Par de apriete<br>Tightening torque<br>Момент затяжки<br>(kg.m) |   |   |
|----------------------------|-----------------|------|-----------------|---|---|---|
|                            | A $\varnothing$ |      | B $\varnothing$ | C   | A | B |
|                            | Mín.            | Máx. |                 |   |   |   |
| MUD3B-30100                | 28              | 30   | 100             | 138   | 5 | 5 |
| MUD3B-32100                | 31              | 32   | 100             | 138   | 5 | 5 |
| MUD3B-35100                | 33              | 35   | 100             | 138   | 5 | 5 |
| MUD3B-38100                | 36              | 38   | 100             | 138   | 5 | 5 |
| MUD3B-43100                | 40              | 43   | 100             | 138   | 5 | 5 |
| MUD3B-22120                | 20              | 22   | 120             | 138   | 5 | 7 |
| MUD3B-25120                | 24              | 26   | 120             | 138   | 5 | 7 |
| MUD3B-30120                | 28              | 30   | 120             | 138   | 5 | 7 |
| MUD3B-32120                | 31              | 32   | 120             | 138   | 5 | 7 |
| MUD3B-35120                | 33              | 35   | 120             | 138   | 5 | 7 |
| MUD3B-38120                | 36              | 38   | 120             | 138   | 5 | 7 |
| MUD3B-43120                | 40              | 43   | 120             | 138   | 5 | 7 |
| MUD3B-30150                | 28              | 30   | 150             | 138   | 5 | 7 |
| MUD3B-32150                | 31              | 32   | 150             | 138   | 5 | 7 |
| MUD3B-35150                | 33              | 35   | 150             | 138   | 5 | 7 |
| MUD3B-38150                | 36              | 38   | 150             | 138   | 5 | 7 |
| MUD3B-43150                | 40              | 43   | 150             | 138   | 5 | 7 |



PARALLEL CONNECTOR UNION CABLE DUPLEX TO TUBE

ПАРАЛЛЕЛЬНЫЙ ЗАЖИМ ДЛЯ ПРИСОЕДИНЕНИЯ СДВОЕННОГО ПРОВОДА К ТРУБЕ

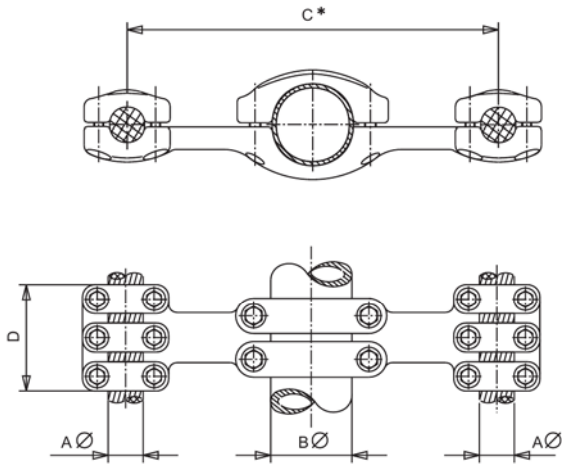


MUD3B3

| Referencia<br>Code<br>Шифр | mm.  |      |     |     | Par de apriete<br>Tightening torque<br>Момент затяжки<br>(kg.m) |   |
|----------------------------|------|------|-----|-----|---|---|
|                            | A∅   |      | B∅  | C   | A   | B |
|                            | Mín. | Máx. |     |     |   |   |
| MUD3B3-30100               | 28   | 30   | 100 | 138 | 5   | 5 |
| MUD3B3-32100               | 31   | 32   | 100 | 138 | 5   | 5 |
| MUD3B3-35100               | 33   | 35   | 100 | 138 | 5   | 5 |
| MUD3B3-38100               | 36   | 38   | 100 | 138 | 5   | 5 |
| MUD3B3-43100               | 40   | 43   | 100 | 138 | 5   | 5 |
| MUD3B3-22120               | 20   | 22   | 120 | 138 | 5   | 7 |
| MUD3B3-25120               | 24   | 26   | 120 | 138 | 5   | 7 |
| MUD3B3-30120               | 28   | 30   | 120 | 138 | 5   | 7 |
| MUD3B3-32120               | 31   | 32   | 120 | 138 | 5   | 7 |
| MUD3B3-35120               | 33   | 35   | 120 | 138 | 5   | 7 |
| MUD3B3-38120               | 36   | 38   | 120 | 138 | 5   | 7 |
| MUD3B3-43120               | 40   | 43   | 120 | 138 | 5   | 7 |
| MUD3B3-30150               | 28   | 30   | 150 | 138 | 5   | 7 |
| MUD3B3-32150               | 31   | 32   | 150 | 138 | 5   | 7 |
| MUD3B3-35150               | 33   | 35   | 150 | 138 | 5   | 7 |
| MUD3B3-38150               | 36   | 38   | 150 | 138 | 5   | 7 |
| MUD3B3-43150               | 40   | 43   | 150 | 138 | 5   | 7 |

PARALLEL CONNECTOR UNION CABLE DUPLEX TO TUBE

ПАРАЛЛЕЛЬНЫЙ ЗАЖИМ ДЛЯ ПРИСОЕДИНЕНИЯ СДВОЕННОГО ПРОВОДА С ТРУБОЙ



MUD3B.\*

NOTA

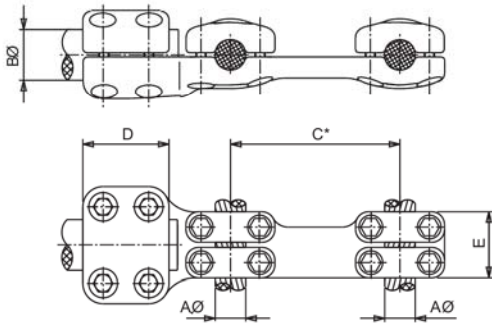
- C\*
  - 4 = 400mm.
  - 45 = 450mm.

| Referencia<br>Code<br>Шифр | mm.  |      |     |            | Par de apriete<br>Tightening torque<br>Момент затяжки<br>(kg.m) |   |   |
|----------------------------|------|------|-----|------------|---|---|---|
|                            | A∅   |      | B∅  | C*         | E   | A | B |
|                            | Mín. | Máx. |     |            |   |   |   |
| MUD3B.*-10030              | 28   | 30   | 100 | SEGUN NOTA | 138   | 5 | 5 |
| MUD3B.*-10032              | 31   | 32   | 100 |            | 138   | 5 | 5 |
| MUD3B.*-10035              | 33   | 35   | 100 |            | 138   | 5 | 5 |
| MUD3B.*-10038              | 36   | 38   | 100 |            | 138   | 5 | 5 |
| MUD3B.*-10043              | 40   | 43   | 100 |            | 138   | 5 | 5 |
| MUD3B.*-12032              | 31   | 32   | 120 |            | 138   | 5 | 7 |
| MUD3B.*-12035              | 33   | 35   | 120 |            | 138   | 5 | 7 |
| MUD3B.*-12038              | 36   | 38   | 120 |            | 138   | 5 | 7 |
| MUD3B.*-12043              | 40   | 43   | 120 |            | 138   | 5 | 7 |
| MUD3B.*-15032              | 31   | 32   | 150 |            | 138   | 5 | 7 |
| MUD3B.*-15035              | 33   | 35   | 150 |            | 138   | 5 | 7 |
| MUD3B.*-15038              | 36   | 38   | 150 |            | 138   | 5 | 7 |
| MUD3B.*-15043              | 40   | 43   | 150 |            | 138   | 5 | 7 |



**PARALLEL CONNECTOR FOR CABLE DUPLEX TO STUD**

**ПАРАЛЛЕЛЬНЫЙ ЗАЖИМ ДЛЯ ПРИСОЕДИНЕНИЯ СДВОЕННОГО ПРОВОДА К ТРУБЕ**



**MDDBT.\***

**NOTA**

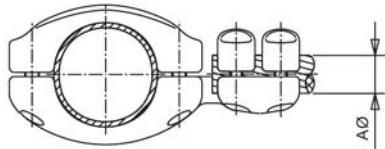
**C\***

- 1 = 100mm.
- 15 = 150mm.
- 2 = 200mm.
- 3 = 300mm.
- 33 = 330mm.
- 4 = 400mm.
- 45 = 450mm.

| Referencia<br>Code<br>Шифр | mm.  |      |    |            |     | Par de apriete<br>Tightening torque<br>Момент затяжки<br>(kg.m) |   |   |
|----------------------------|------|------|----|------------|-----|---|---|---|
|                            | Aø   |      | Bø | C*         | D   | E   | A | B |
|                            | Mín. | Máx. |    |            |     |   |   |   |
| MDDBT.*-3030               | 28   | 30   | 30 | SEGUN NOTA | 85  | 90  | 5 | 5 |
| MDDBT.*-3230               | 31   | 32   | 30 |            | 85  | 90  | 5 | 5 |
| MDDBT.*-3530               | 33   | 35   | 30 |            | 85  | 90  | 5 | 5 |
| MDDBT.*-3830               | 36   | 38   | 30 |            | 85  | 90  | 5 | 5 |
| MDDBT.*-4330               | 40   | 43   | 30 |            | 85  | 90  | 5 | 5 |
| MDDBT.*-3040               | 28   | 30   | 40 |            | 85  | 90  | 5 | 5 |
| MDDBT.*-3240               | 31   | 32   | 40 |            | 85  | 90  | 5 | 5 |
| MDDBT.*-3540               | 33   | 35   | 40 |            | 85  | 90  | 5 | 5 |
| MDDBT.*-3840               | 36   | 38   | 40 |            | 85  | 90  | 5 | 5 |
| MDDBT.*-4340               | 40   | 43   | 40 |            | 85  | 90  | 5 | 5 |
| MDDBT.*-3050               | 28   | 30   | 50 |            | 100 | 90  | 5 | 5 |
| MDDBT.*-3250               | 31   | 32   | 50 |            | 100 | 90  | 5 | 5 |
| MDDBT.*-3550               | 33   | 35   | 50 |            | 100 | 90  | 5 | 5 |
| MDDBT.*-3850               | 36   | 38   | 50 |            | 100 | 90  | 5 | 5 |
| MDDBT.*-4350               | 40   | 43   | 50 |            | 100 | 90  | 5 | 5 |
| MDDBT.*-3060               | 28   | 30   | 60 |            | 100 | 90  | 5 | 5 |
| MDDBT.*-3260               | 31   | 32   | 60 |            | 100 | 90  | 5 | 5 |
| MDDBT.*-3560               | 33   | 35   | 60 |            | 100 | 90  | 5 | 5 |
| MDDBT.*-3860               | 36   | 38   | 60 | 100        | 90  | 5   | 5 |   |
| MDDBT.*-4360               | 40   | 43   | 60 | 100        | 90  | 5   | 5 |   |

**T CONNECTOR DOUBLE AL. CABLE TO TUBE**

**Т-ОБРАЗНЫЙ ЗАЖИМ ДЛЯ ПРИСОЕДИНЕНИЯ ДВОЙНОГО АЛЮМИНЬЕВОГО ПРОВОДА К ТРУБЕ**



**MDTBD.\***

**NOTA**

**C\***

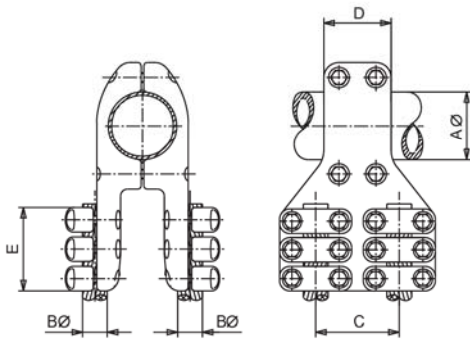
- 1 = 100mm.
- 15 = 150mm.
- 2 = 200mm.
- 3 = 300mm.
- 33 = 330mm.
- 4 = 400mm.
- 45 = 450mm.

| Referencia<br>Code<br>Шифр | mm.  |      |     |            | Par de apriete<br>Tightening torque<br>Момент затяжки<br>(kg.m) |   |   |
|----------------------------|------|------|-----|------------|---|---|---|
|                            | Aø   |      | Bø  | C*         | D   | A | B |
|                            | Mín. | Máx. |     |            |   |   |   |
| MDTBD.*-30100              | 28   | 30   | 100 | SEGUN NOTA | 100   | 5 | 5 |
| MDTBD.*-32100              | 31   | 32   | 100 |            | 100   | 5 | 5 |
| MDTBD.*-35100              | 33   | 35   | 100 |            | 100   | 5 | 5 |
| MDTBD.*-38100              | 36   | 38   | 100 |            | 100   | 5 | 5 |
| MDTBD.*-43100              | 40   | 43   | 100 |            | 100   | 5 | 5 |
| MDTBD.*-30120              | 28   | 30   | 120 |            | 110   | 5 | 5 |
| MDTBD.*-32120              | 31   | 32   | 120 |            | 110   | 5 | 5 |
| MDTBD.*-35120              | 33   | 35   | 120 |            | 110   | 5 | 5 |
| MDTBD.*-38120              | 36   | 38   | 120 |            | 110   | 5 | 5 |
| MDTBD.*-43120              | 40   | 43   | 120 |            | 110   | 5 | 5 |
| MDTBD.*-30150              | 28   | 30   | 150 |            | 120   | 5 | 5 |
| MDTBD.*-32150              | 31   | 32   | 150 |            | 120   | 5 | 5 |
| MDTBD.*-35150              | 33   | 35   | 150 |            | 120   | 5 | 5 |
| MDTBD.*-38150              | 36   | 38   | 150 |            | 120   | 5 | 5 |
| MDTBD.*-43150              | 40   | 43   | 150 |            | 120   | 5 | 5 |



### T CONNECTOR TUBE TO QUADRUPLÉ CABLE

#### Т-ОБРАЗНЫЙ ЗАЖИМ ДЛЯ ПРИСОЕДИНЕНИЯ ПРОВОДОВ К ТРУБЕ

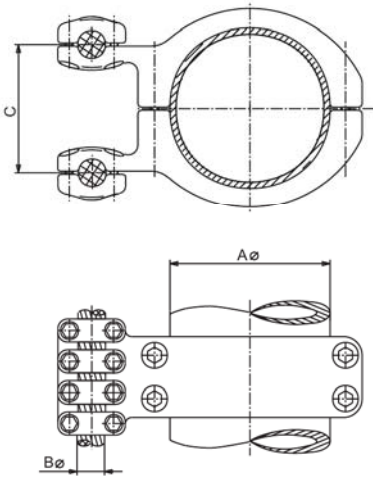


MTD2B3.1

| Referencia<br>Code<br>Шифр | mm. |       |     |     |     | Par de apriete<br>Tightening torque<br>Момент затяжки<br>(kg.m) |   |
|----------------------------|-----|-------|-----|-----|-----|---|---|
|                            | Aø  | Bø    | C   | D   | E   | A   | B |
|                            |     |       |     |     |     |   |   |
| MTD2B3.1-10032             | 100 | 31-32 | 100 | 100 | 138 | 5   | 5 |
| MTD2B3.1-10035             | 100 | 33-35 | 100 | 100 | 138 | 5   | 5 |
| MTD2B3.1-10038             | 100 | 36-38 | 100 | 100 | 138 | 5   | 5 |
| MTD2B3.1-10043             | 100 | 40-43 | 100 | 100 | 138 | 5   | 5 |
| MTD2B3.1-15032             | 150 | 31-32 | 100 | 120 | 138 | 7   | 5 |
| MTD2B3.1-15035             | 150 | 33-35 | 100 | 120 | 138 | 7   | 5 |
| MTD2B3.1-15038             | 150 | 36-38 | 100 | 120 | 138 | 7   | 5 |
| MTD2B3.1-15043             | 150 | 40-43 | 100 | 120 | 138 | 7   | 5 |

### PARALLEL CONNECTOR FOR THROUGH TUBE TO DUPLEX CABLE

#### ПАРЛЕЛЬНЫЙ ЗАЖИМ ДЛЯ ПРИСОЕДИНЕНИЯ СДВОЕННОГО ПРОВОДА К ТРУБЕ



MUD4B.2







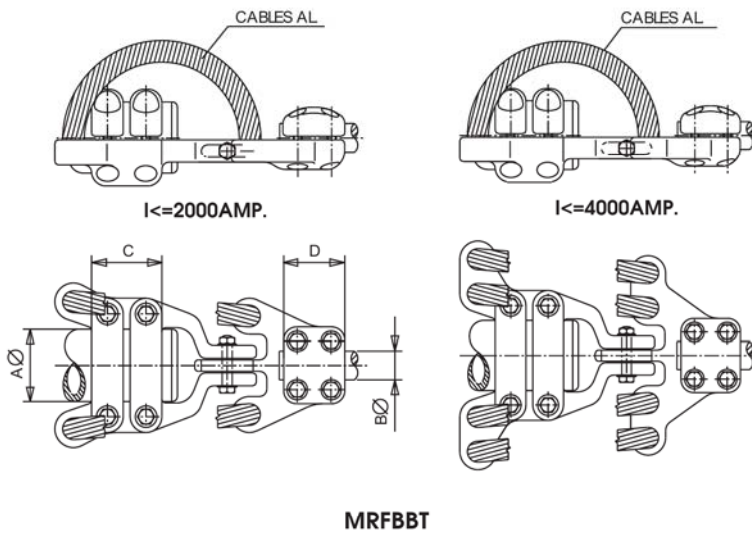
*EXPANSION CONNECTORS*  
ЗАЖИМЫ С КОМПЕНСАТОРОМ  
ТЕМПЕРАТУРНЫХ ДЕФОРМАЦИЙ



**EXPANSION STRAIGHT CONNECTOR UNION TUBE TO STUD**

**ПРЯМОЙ ЗАЖИМ ДЛЯ СОЕДИНЕНИЯ ТРУБ И СТЕРЖНЯ**

**С КОМПЕНСАТОРОМ ТЕМПЕРАТУРНЫХ ДЕФОРМАЦИЙ**

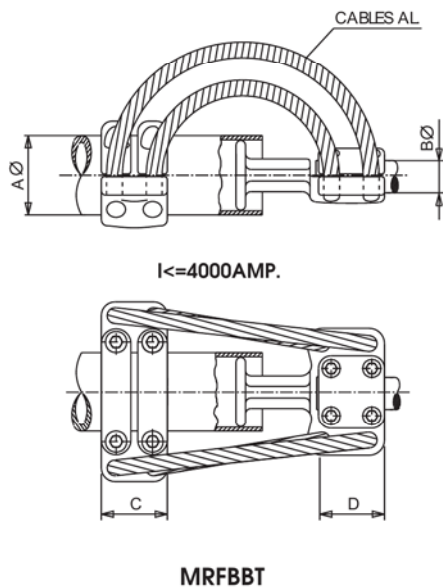


| Referencia<br>Code<br>Шифр | mm.             |                 |     |     | Par de apriete<br>Tightening torque<br>Момент затяжки<br>(kg.m) |   |
|----------------------------|-----------------|-----------------|-----|-----|---|---|
|                            | A $\varnothing$ | B $\varnothing$ | C   | D   | A   | B |
|                            | MRFBBT-5030     | 50              | 30  | 100 | 90  | 5 |
| MRFBBT-5040                | 50              | 40              | 100 | 90  | 5   | 5 |
| MRFBBT-6030                | 60              | 30              | 100 | 90  | 5   | 3 |
| MRFBBT-6040                | 60              | 40              | 100 | 90  | 5   | 5 |
| MRFBBT-6050                | 60              | 50              | 100 | 100 | 5   | 5 |
| MRFBBT-8030                | 80              | 30              | 100 | 90  | 5   | 3 |
| MRFBBT-8040                | 80              | 40              | 100 | 90  | 5   | 5 |
| MRFBBT-8050                | 80              | 50              | 100 | 100 | 5   | 5 |
| MRFBBT-8060                | 80              | 60              | 100 | 100 | 5   | 5 |
| MRFBBT-10030               | 100             | 30              | 110 | 90  | 5   | 3 |
| MRFBBT-10040               | 100             | 40              | 110 | 90  | 5   | 5 |
| MRFBBT-10050               | 100             | 50              | 110 | 100 | 5   | 5 |
| MRFBBT-10060               | 100             | 60              | 110 | 100 | 5   | 5 |

**EXPANSION STRAIGHT CONNECTOR UNION TUBE TO STUD**

**ПРЯМОЙ ЗАЖИМ ДЛЯ СОЕДИНЕНИЯ ТРУБЫ И СТЕРЖНЯ,С**

**КОМПЕНСАТОРОМ ТЕМПЕРАТУРНЫХ ДЕФОРМАЦИЙ**

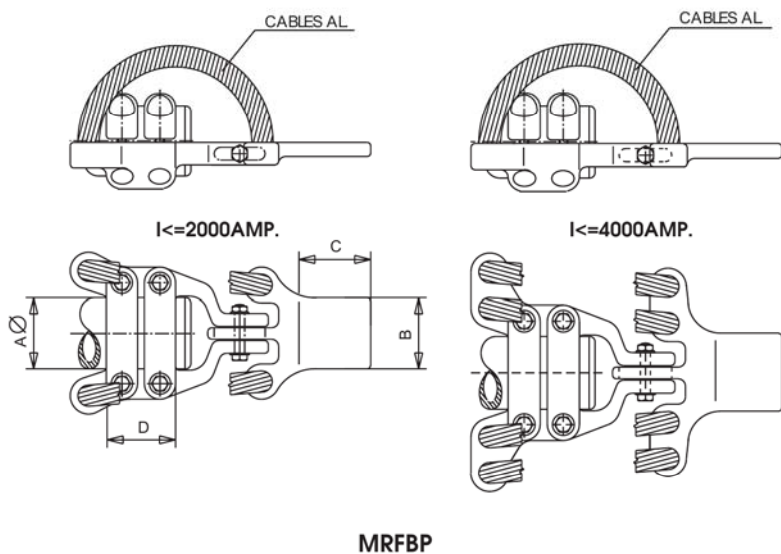


| Referencia<br>Code<br>Шифр | mm.             |                 |     |     | Par de apriete<br>Tightening torque<br>Момент затяжки<br>(kg.m) |   |
|----------------------------|-----------------|-----------------|-----|-----|---|---|
|                            | A $\varnothing$ | B $\varnothing$ | C   | D   | A   | B |
|                            | MRFBBT-12030    | 120             | 30  | 110 | 90  | 7 |
| MRFBBT-12040               | 120             | 40              | 110 | 90  | 7   | 5 |
| MRFBBT-12050               | 120             | 50              | 110 | 120 | 7   | 5 |
| MRFBBT-12060               | 120             | 60              | 110 | 120 | 7   | 5 |
| MRFBBT-15030               | 150             | 30              | 120 | 90  | 7   | 5 |
| MRFBBT-15040               | 150             | 40              | 120 | 90  | 7   | 5 |
| MRFBBT-15050               | 150             | 50              | 120 | 120 | 7   | 5 |
| MRFBBT-15060               | 150             | 60              | 120 | 120 | 7   | 5 |



EXPANSION STRAIGHT CONNECTOR UNION TUBE TO FLATBAR

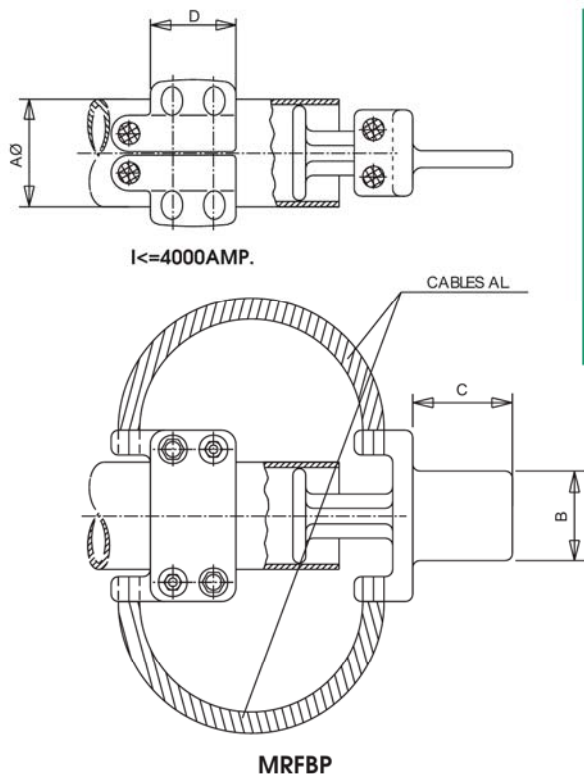
ПРЯМОЙ ЗАЖИМ ДЛЯ ПРИСОЕДИНЕНИЯ ТРУБЫ К АППАРАТАМ, С КОМПЕНСАТОРОМ ТЕМПЕРАТУРНЫХ ДЕФОРМАЦИЙ



| Referencia<br>Code<br>Шифр | mm. |     |     |     | Par de apriete<br>Tightening torque<br>Момент затяжки<br>(kg.m) |
|----------------------------|-----|-----|-----|-----|---|
|                            | Aø  | B   | C   | D   |   |
|                            | A   |     |     |     |   |
| MRFBP-5044                 | 50  | 60  | 60  | 100 | 5   |
| MRFBP-5055                 | 50  | 80  | 80  | 100 | 5   |
| MRFBP-5066                 | 50  | 100 | 100 | 100 | 5   |
| MRFBP-5088                 | 50  | 125 | 125 | 100 | 5   |
| MRFBP-50106                | 50  | 200 | 100 | 100 | 5   |
| MRFBP-6055                 | 60  | 80  | 80  | 100 | 5   |
| MRFBP-6066                 | 60  | 100 | 100 | 100 | 5   |
| MRFBP-6088                 | 60  | 125 | 125 | 100 | 5   |
| MRFBP-60106                | 60  | 200 | 100 | 100 | 5   |
| MRFBP-8055                 | 80  | 80  | 80  | 100 | 5   |
| MRFBP-8066                 | 80  | 100 | 100 | 100 | 5   |
| MRFBP-8088                 | 80  | 125 | 125 | 100 | 5   |
| MRFBP-80106                | 80  | 200 | 100 | 100 | 5   |
| MRFBP-10055                | 100 | 80  | 80  | 110 | 5   |
| MRFBP-10066                | 100 | 100 | 100 | 110 | 5   |
| MRFBP-10088                | 100 | 125 | 125 | 110 | 5   |
| MRFBP-100106               | 100 | 200 | 100 | 110 | 5   |

EXPANSION STRAIGHT CONNECTOR UNION TUBE TO FLATBAR

ПРЯМОЙ ЗАЖИМ ДЛЯ ПРИСОЕДИНЕНИЯ ТРУБЫ К АППАРАТАМ, С КОМПЕНСАТОРОМ ТЕМПЕРАТУРНЫХ ДЕФОРМАЦИЙ

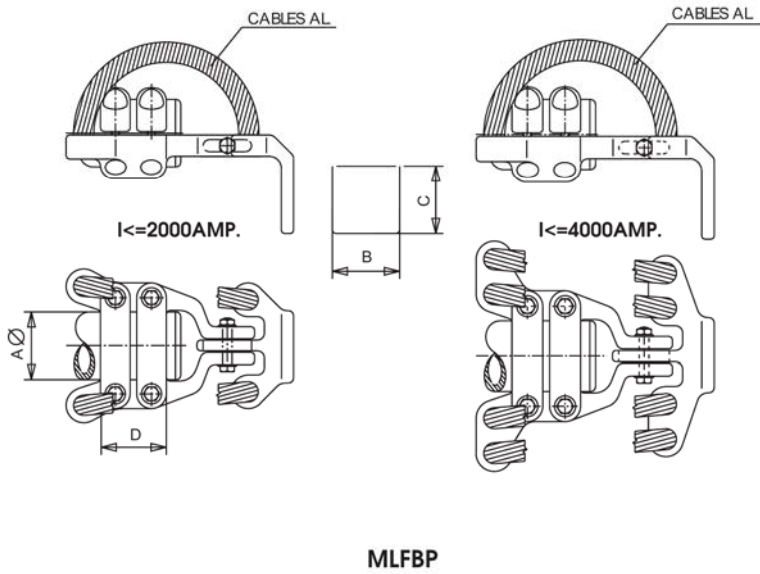


| Referencia<br>Code<br>Шифр | mm. |     |     |     | Par de apriete<br>Tightening torque<br>Момент затяжки<br>(kg.m) |
|----------------------------|-----|-----|-----|-----|---|
|                            | Aø  | B   | C   | D   |   |
|                            | A   |     |     |     |   |
| MRFBP-12066                | 120 | 100 | 100 | 110 | 7   |
| MRFBP-12088                | 120 | 125 | 125 | 110 | 7   |
| MRFBP-120106               | 120 | 200 | 100 | 110 | 7   |
| MRFBP-15066                | 150 | 100 | 100 | 120 | 7   |
| MRFBP-15088                | 150 | 125 | 125 | 120 | 7   |
| MRFBP-150106               | 150 | 200 | 100 | 120 | 7   |



**EXPANSION L CONNECTOR UNION TUBE TO FLATBAR**

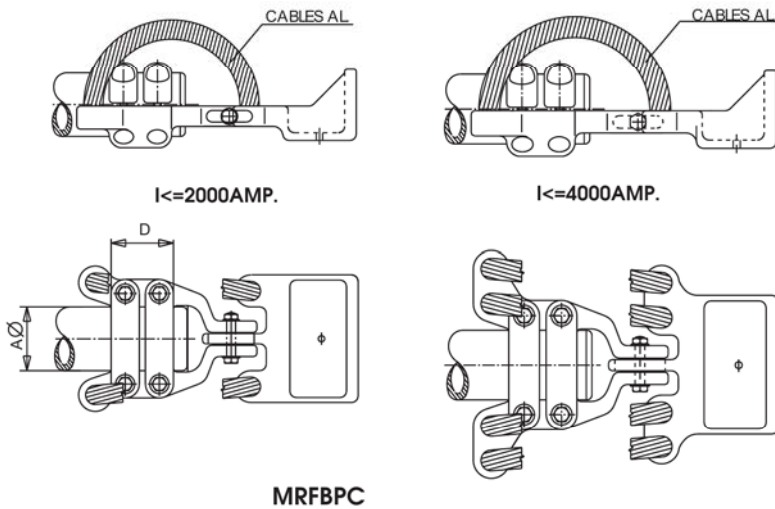
**L-ОБРАЗНЫЙ ЗАЖИМ ДЛЯ ПРИСОЕДИНЕНИЯ ТРУБ К АППАРАТАМ  
С КОМПЕНСАТОРОМ ТЕМПЕРАТУРНЫХ ДЕФОРМАЦИЙ**



| Referencia<br>Code<br>Шифр | mm. |     |     |     | Par de apriete<br>Tightening torque<br>Момент затяжки<br>(kg.m) |
|----------------------------|-----|-----|-----|-----|---|
|                            | A∅  | B   | C   | D   |   |
|                            | A   |     |     |     |   |
| MLFBP-5044                 | 50  | 60  | 60  | 100 | 5   |
| MLFBP-5055                 | 50  | 80  | 80  | 100 | 5   |
| MLFBP-5066                 | 50  | 100 | 100 | 100 | 5   |
| MLFBP-5088                 | 50  | 125 | 125 | 100 | 5   |
| MLFBP-50106                | 50  | 200 | 100 | 100 | 5   |
| MLFBP-6055                 | 60  | 80  | 80  | 100 | 5   |
| MLFBP-6066                 | 60  | 100 | 100 | 100 | 5   |
| MLFBP-6088                 | 60  | 125 | 125 | 100 | 5   |
| MLFBP-60106                | 60  | 200 | 100 | 100 | 5   |
| MLFBP-8055                 | 80  | 80  | 80  | 100 | 5   |
| MLFBP-8066                 | 80  | 100 | 100 | 100 | 5   |
| MLFBP-8088                 | 80  | 125 | 125 | 100 | 5   |
| MLFBP-80106                | 80  | 200 | 100 | 100 | 5   |
| MLFBP-10055                | 100 | 80  | 80  | 110 | 5   |
| MLFBP-10066                | 100 | 100 | 100 | 110 | 5   |
| MLFBP-10088                | 100 | 125 | 125 | 110 | 5   |
| MLFBP-100106               | 100 | 200 | 100 | 110 | 5   |

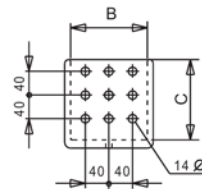
**EXPANSION STRAIGHT CONNECTOR UNION TUBE TO THE AXIS FLATBAR**

**ПРЯМОЙ ЗАЖИМ ДЛЯ ПРИСОЕДИНЕНИЯ ТРУБ К АППАРАТАМ,  
С КОМПЕНСАТОРОМ ТЕМПЕРАТУРНЫХ ДЕФОРМАЦИЙ**

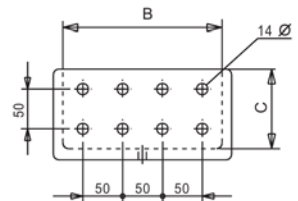


| Referencia<br>Code<br>Шифр | mm. |     |     |     | Par de apriete<br>Tightening torque<br>Момент затяжки<br>(kg.m) |
|----------------------------|-----|-----|-----|-----|---|
|                            | A∅  | B   | C   | D   |   |
|                            | A   |     |     |     |   |
| MRFBPC-5088                | 50  | 125 | 125 | 100 | 5   |
| MRFBPC-50106               | 50  | 200 | 100 | 100 | 5   |
| MRFBPC-6088                | 60  | 125 | 125 | 100 | 5   |
| MRFBPC-60106               | 60  | 200 | 100 | 100 | 5   |
| MRFBPC-8088                | 80  | 125 | 125 | 100 | 5   |
| MRFBPC-80106               | 80  | 200 | 100 | 100 | 5   |
| MRFBPC-10088               | 100 | 125 | 125 | 110 | 5   |
| MRFBPC-100106              | 100 | 200 | 100 | 110 | 5   |

**PALA TIPO A**

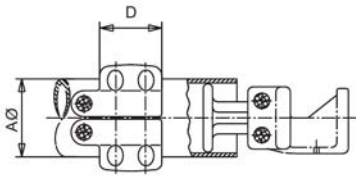


**PALA TIPO B**

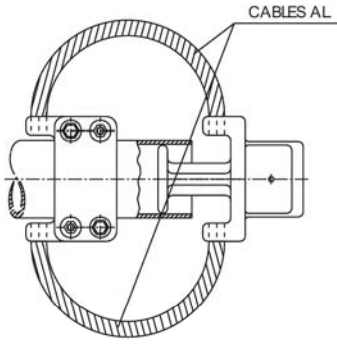


**EXPANSION STRAIGHT CONNECTOR UNION TUBE TO THE AXIS FLATBAR**

**ПРЯМОЙ ЗАЖИМ ДЛЯ ПРИСОЕДИНЕНИЯ ТРУБ К АППАРАТАМ,  
С КОМПЕНСАТОРОМ ТЕМПЕРАТУРНЫХ ДЕФОРМАЦИЙ**



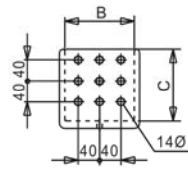
I<=4000AMP.



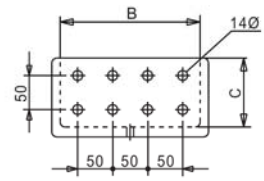
MRFBPC

| Referencia<br>Code<br>Шифр | mm. |     |     |     | Par de apriete<br>Tightening torque<br>Момент затяжки<br>(kg.m) |
|----------------------------|-----|-----|-----|-----|---|
|                            | Aø  | B   | C   | D   |   |
| MRFBPC-12088               | 120 | 125 | 130 | 110 | 7   |
| MRFBPC-120106              | 120 | 200 | 100 | 110 | 7   |
| MRFBPC-15088               | 150 | 125 | 130 | 120 | 7   |
| MRFBPC-150106              | 150 | 200 | 100 | 120 | 7   |

FALA TIPO A

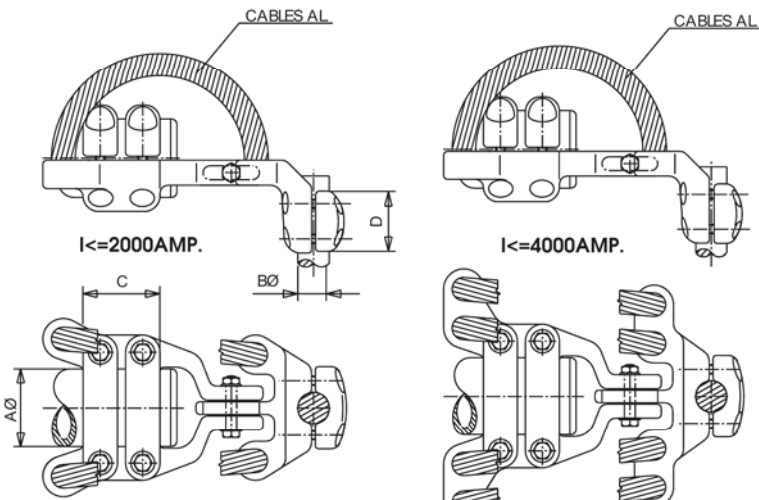


FALA TIPO B



**EXPANSION L CONNECTOR UNION TUBE TO STUD**

**L-ОБРАЗНЫЙ ЗАЖИМ ДЛЯ СОЕДИНЕНИЯ ТРУБЫ И СТЕРЖНЬ  
С КОМПЕНСАТОРОМ ТЕМПЕРАТУРНЫХ ДЕФОРМАЦИЙ**



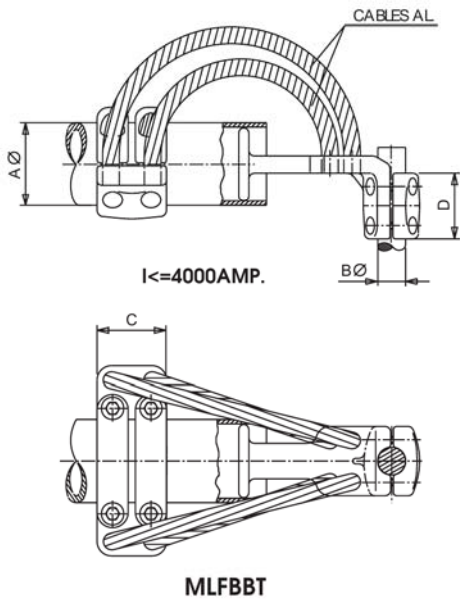
MLFBBT

| Referencia<br>Code<br>Шифр | mm. |    |     |     | Par de apriete<br>Tightening torque<br>Момент затяжки<br>(kg.m) |   |
|----------------------------|-----|----|-----|-----|---|---|
|                            | Aø  | Bø | C   | D   | A   | B |
| MLFBBT-5030                | 50  | 30 | 100 | 90  | 5   | 3 |
| MLFBBT-5040                | 50  | 40 | 100 | 90  | 5   | 5 |
| MLFBBT-6030                | 60  | 30 | 100 | 90  | 5   | 3 |
| MLFBBT-6040                | 60  | 40 | 100 | 90  | 5   | 5 |
| MLFBBT-6050                | 60  | 50 | 100 | 100 | 5   | 5 |
| MLFBBT-8030                | 80  | 30 | 100 | 90  | 5   | 3 |
| MLFBBT-8040                | 80  | 40 | 100 | 90  | 5   | 5 |
| MLFBBT-8050                | 80  | 50 | 100 | 100 | 5   | 5 |
| MLFBBT-8060                | 80  | 60 | 100 | 100 | 5   | 5 |
| MLFBBT-10030               | 100 | 30 | 110 | 90  | 5   | 3 |
| MLFBBT-10040               | 100 | 40 | 110 | 90  | 5   | 5 |
| MLFBBT-10050               | 100 | 50 | 110 | 100 | 5   | 5 |
| MLFBBT-10060               | 100 | 60 | 110 | 100 | 5   | 5 |



**EXPANSION L CONNECTOR UNION TUBE TO STUD**

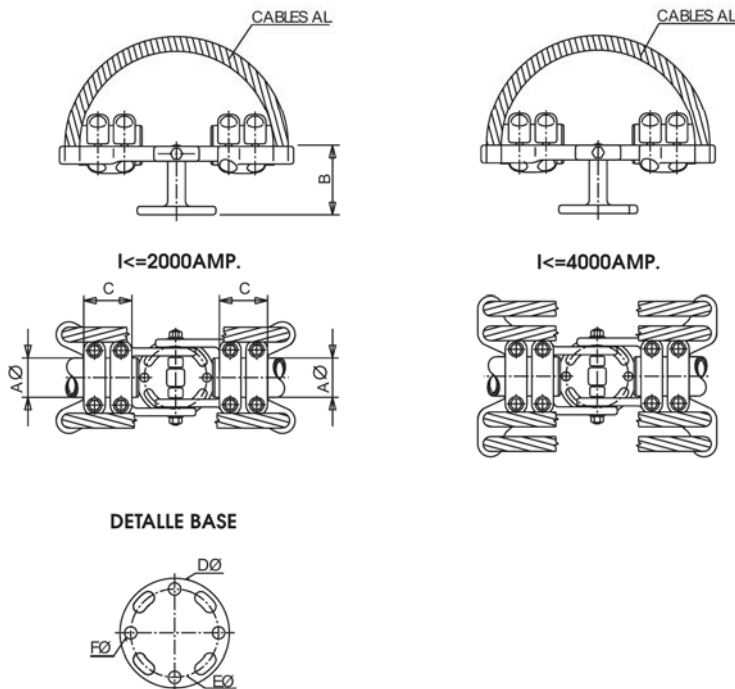
**L-ОБРАЗНЫЙ ЗАЖИМ ДЛЯ СОЕДИНЕНИЯ ТРУБЫ И СТЕРЖНЯ,  
С КОМПЕНСАТОРОМ ТЕМПЕРАТУРНЫХ ДЕФОРМАЦИЙ**



| Referencia<br>Code<br>Шифр | mm. |    |     |     | Par de apriete<br>Tightening torque<br>Момент затяжки<br>(kg.m) |   |
|----------------------------|-----|----|-----|-----|---|---|
|                            | Aø  | Bø | C   | D   | A   | B |
| MLFBBT-12030               | 120 | 30 | 110 | 90  | 7   | 5 |
| MLFBBT-12040               | 120 | 40 | 110 | 90  | 7   | 5 |
| MLFBBT-12050               | 120 | 50 | 110 | 120 | 7   | 5 |
| MLFBBT-12060               | 120 | 60 | 110 | 120 | 7   | 5 |
| MLFBBT-15030               | 150 | 30 | 120 | 90  | 7   | 5 |
| MLFBBT-15040               | 150 | 40 | 120 | 90  | 7   | 5 |
| MLFBBT-15050               | 150 | 50 | 120 | 120 | 7   | 5 |
| MLFBBT-15060               | 150 | 60 | 120 | 120 | 7   | 5 |

**EXPANSION STRAIGHT CONNECTOR UNION TUBES ON INSULATOR**

**ПРЯМОЙ ЗАЖИМ ДЛЯ СОЕДИНЕНИЯ ТРУБ, ЗАКРЕПЛЕННЫЙ НА ИЗОЛЯТОРЕ,  
С КОМПЕНСАТОРОМ ТЕМПЕРАТУРНЫХ ДЕФОРМАЦИЙ**



| Referencia<br>Code<br>Шифр | mm. |     |     | Par de apriete<br>Tightening torque<br>Момент затяжки<br>(kg.m) |
|----------------------------|-----|-----|-----|---|
|                            | Aø  | B   | C   |   |
| MPEFB-50                   | 50  | 80  | 100 | 5   |
| MPEFB-60                   | 60  | 90  | 100 | 5   |
| MPEFB-80                   | 80  | 105 | 110 | 5   |
| MPEFB-100                  | 100 | 105 | 110 | 5   |

**TIPO AISLADOR**

| Dø  | Eø  | Fø |
|-----|-----|----|
| 108 | 76  | 14 |
| 158 | 127 | 18 |
| 265 | 225 | 18 |

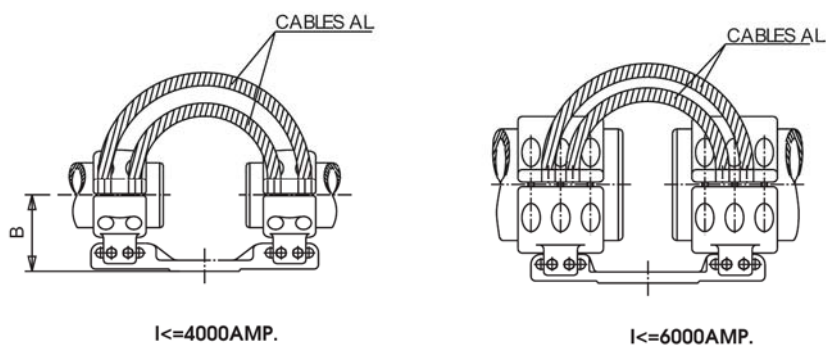
**MPEFB**



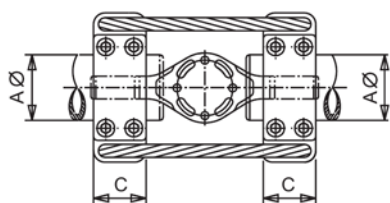
EXPANSION STRAIGHT CONNECTOR UNION TUBES ON INSULATOR

ПРЯМОЙ ЗАЖИМ ДЛЯ СОЕДИНЕНИЯ ТРУБ, ЗАКРЕПЛЕННЫЙ НА ИЗОЛЯТОРЕ

С КОМПЕНСАТОРОМ ТЕМПЕРАТУРНЫХ ДЕФОРМАЦИЙ



| Referencia<br>Code<br>Шифр | mm. |     |     | Par de apriete<br>Tightening torque<br>Момент затяжки<br>(kg.m)<br>A |
|----------------------------|-----|-----|-----|--|
|                            | Aø  | B   | C   |  |
| MPEFBD-120                 | 120 | 140 | 110 | 7  |
| MPEFBD-150                 | 150 | 170 | 120 | 7  |
| MPEFBD-200                 | 200 | 200 | 120 | 7  |
| MPEFBD-250                 | 250 | 220 | 190 | 7  |



DETALLE BASE



TIPO AISLADOR

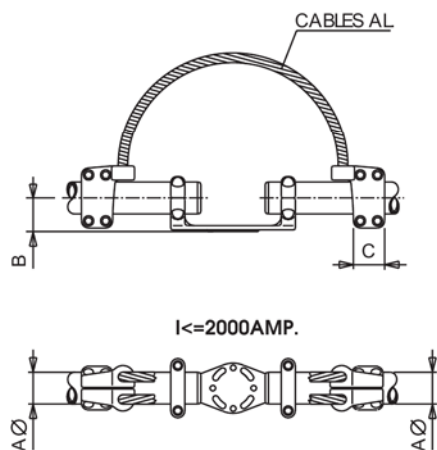
| Dø  | Eø  | Fø |
|-----|-----|----|
| 158 | 127 | 18 |
| 265 | 225 | 18 |
| 305 | 254 | 18 |

MPEFBD

EXPANSION STRAIGHT CONNECTOR UNION TUBES ON INSULATOR

ПРЯМОЙ ЗАЖИМ ДЛЯ СОЕДИНЕНИЯ ТРУБ, ЗАКРЕПЛЕННЫЙ НА ИЗОЛЯТОРЕ

С КОМПЕНСАТОРОМ ТЕМПЕРАТУРНЫХ ДЕФОРМАЦИЙ

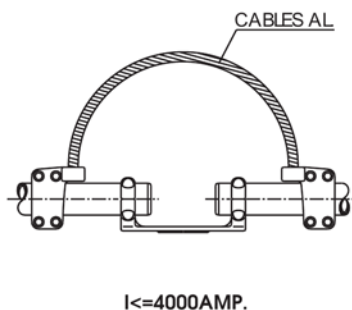


| Referencia<br>Code<br>Шифр | mm. |     |     |     |     |    | Par de apriete<br>Tightening torque<br>Момент затяжки<br>(kg.m)<br>A |
|----------------------------|-----|-----|-----|-----|-----|----|--|
|                            | Aø  | B   | C   | Dø  | Eø  | Fø |  |
| MPEFBI-8076                | 80  | 105 | 100 | 108 | 76  | 14 | 5  |
| MPEFBI-10076               | 100 | 105 | 110 | 108 | 76  | 14 | 5  |
| MPEFBI-80127               | 80  | 105 | 100 | 158 | 127 | 18 | 5  |
| MPEFBI-100127              | 100 | 105 | 110 | 158 | 127 | 18 | 5  |
| MPEFBI-80225               | 80  | 105 | 100 | 265 | 225 | 18 | 5  |
| MPEFBI-100225              | 100 | 105 | 110 | 265 | 225 | 18 | 5  |

TIPO AISLADOR

| Dø  | Eø  | Fø |
|-----|-----|----|
| 108 | 76  | 14 |
| 158 | 127 | 18 |
| 265 | 225 | 18 |

DETALLE BASE



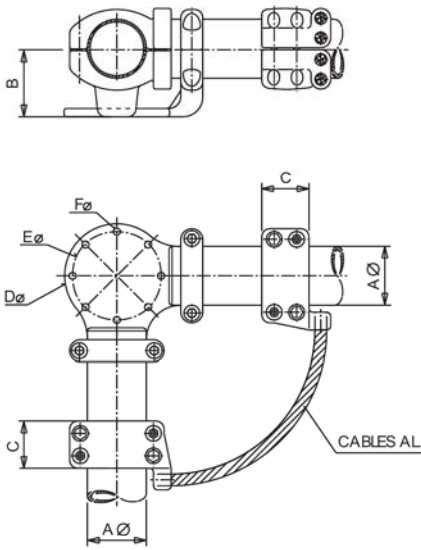
MPEFBI



EXPANSION SLIDING L CONNECTOR UNION TUBES ON INSULATOR

L-ОБРАЗНЫЙ ПОДВИЖНЫЙ ЗАЖИМ ДЛЯ СОЕДИНЕНИЯ ТРУБ, ЗАКРЕПЛЕННЫЙ НА

ИЗОЛЯТОРЕ, С КОМПЕНСАТОРОМ ТЕМПЕРАТУРНЫХ ДЕФОРМАЦИЙ



MPDFBI

| Referencia<br>Code<br>Шифр | mm. |     |     | Par de apriete<br>Tightening torque<br>Момент затяжки<br>(kg.m) |
|----------------------------|-----|-----|-----|---|
|                            | A∅  | B   | C   |   |
| MPDFBI-100                 | 100 | 105 | 100 | 5   |
| MPDFBI-120                 | 120 | 140 | 110 | 7   |
| MPDFBI-150                 | 150 | 170 | 120 | 7   |

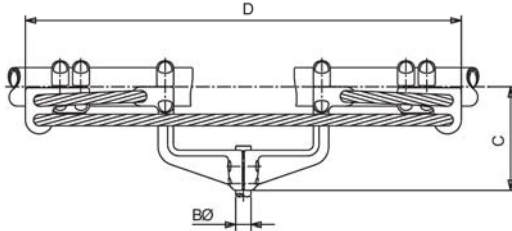
TIPO AISLADOR

| D∅  | E∅  | F∅ |
|-----|-----|----|
| 158 | 127 | 18 |
| 265 | 225 | 18 |
| 305 | 254 | 18 |

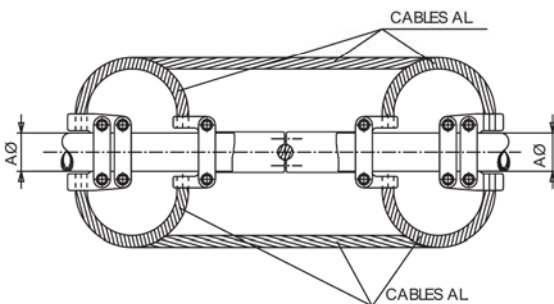
EXPANSION L CONNECTOR TUBE TO STUD

L-ОБРАЗНЫЙ ЗАЖИМ ДЛЯ СОЕДИНЕНИЯ ТРУБЫ И СТЕРЖНЯ

С КОМПЕНСАТОРОМ ТЕМПЕРАТУРНЫХ ДЕФОРМАЦИЙ



| Referencia<br>Code<br>Шифр | mm. |    |     |      | Par de apriete<br>Tightening torque<br>Момент затяжки<br>(kg.m) |
|----------------------------|-----|----|-----|------|---|
|                            | A∅  | B∅ | C   | D    |   |
| MFDB2B-10030               | 100 | 30 | 270 | 1135 | 5   |
| MFDB2B-10040               | 100 | 40 | 270 | 1135 | 5   |



MFDB2B





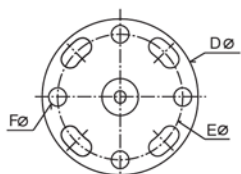
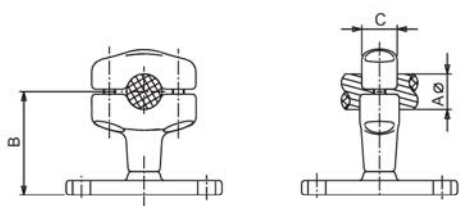


SUPPORTS  
КРЕПЛЕНИЯ  
SUPPORTS



### STRAIGHT SUPPORT FOR CABLE ON INSULATOR

#### ПРЯМОЕ КРЕПЛЕНИЕ ДЛЯ ПРОВОДА, ЗАКРЕПЛЁННОЕ НА ИЗОЛЯТОРЕ



MPC1

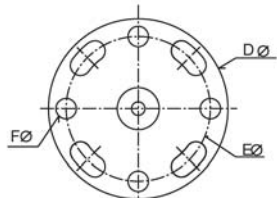
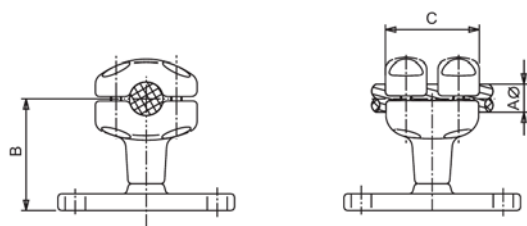
#### TIPO AISLADOR

| Dø  | Eø  | Fø |
|-----|-----|----|
| 108 | 76  | 14 |
| 158 | 127 | 18 |
| 265 | 225 | 18 |

| Referencia<br>Code<br>Шифр | mm.   |     |    | Par de apriete<br>Tightening torque<br>Момент затяжки<br>(kg.m) |
|----------------------------|-------|-----|----|---|
|                            | Aø    | B   | C  | A   |
| MPC1-18                    | 16-18 | 100 | 45 | 5   |
| MPC1-22                    | 20-22 | 100 | 45 | 5   |
| MPC1-25                    | 24-26 | 100 | 45 | 5   |
| MPC1-30                    | 28-30 | 100 | 45 | 5   |
| MPC1-32                    | 31-32 | 100 | 45 | 5   |
| MPC1-35                    | 33-35 | 100 | 45 | 5   |
| MPC1-38                    | 36-38 | 100 | 45 | 5   |
| MPC1-43                    | 40-43 | 100 | 45 | 5   |

### STRAIGHT SUPPORT FOR CABLE ON INSULATOR (2 FLANGE)

#### ПРЯМОЕ КРЕПЛЕНИЕ ДЛЯ ПРОВОДА, ЗАКРЕПЛЁННОЕ НА ИЗОЛЯТОРЕ (2 ФЛАНЦА)



MPC

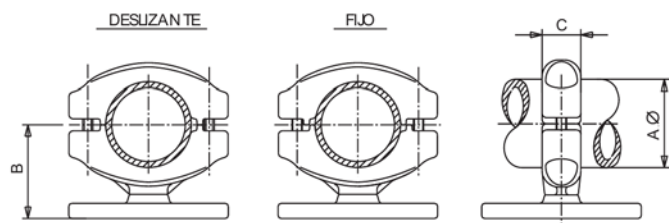
#### TIPO AISLADOR

| Dø  | Eø  | Fø |
|-----|-----|----|
| 108 | 76  | 14 |
| 158 | 127 | 18 |
| 265 | 225 | 18 |

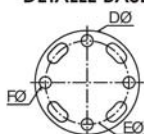
| Referencia<br>Code<br>Шифр | mm.   |     |    | Par de apriete<br>Tightening torque<br>Момент затяжки<br>(kg.m) |
|----------------------------|-------|-----|----|---|
|                            | Aø    | B   | C  | A   |
| MPC-18                     | 16-18 | 100 | 85 | 3   |
| MPC-22                     | 20-22 | 100 | 85 | 3   |
| MPC-25                     | 24-26 | 100 | 85 | 3   |
| MPC-30                     | 28-30 | 100 | 85 | 3   |
| MPC-32                     | 31-32 | 100 | 90 | 5   |
| MPC-35                     | 33-35 | 100 | 90 | 5   |
| MPC-38                     | 36-38 | 100 | 90 | 5   |
| MPC-43                     | 40-43 | 100 | 90 | 5   |

### STRAIGHT SUPPORT FIX/SLIDING FOR TUBE ON INSULATOR

#### ПРЯМОЕ ПОДВИЖНОЕ ИЛИ НЕПОДВИЖНОЕ КРЕПЛЕНИЕ ДЛЯ ТРУБЫ, ЗАКРЕПЛЕННОЕ НА ИЗОЛЯТОРЕ



#### DETALLE BASE



MPB1

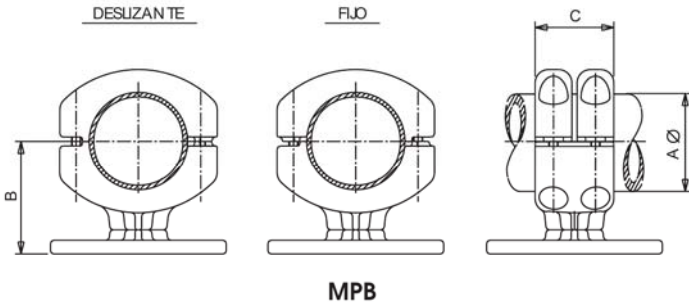
#### TIPO AISLADOR

| Dø  | Eø  | Fø |
|-----|-----|----|
| 108 | 76  | 14 |
| 158 | 127 | 18 |
| 265 | 225 | 18 |



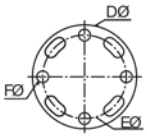
STRAIGHT SUPPORT FIX/SLIDING FOR TUBE ON INSULATOR ( 2 FLANGE)

ПРЯМОЕ ПОДВИЖНОЕ ИЛИ НЕПОДВИЖНОЕ КРЕПЛЕНИЕ ДЛЯ ТРУБЫ, ЗАКРЕПЛЁННОЕ НА ИЗОЛЯТОРЕ (2 ФЛАНЦА)



| Referencia<br>Code<br>Шифр | mm. |     |     | Par de apriete<br>Tightening torque<br>Момент затяжки<br>(kg.m)<br>A |
|----------------------------|-----|-----|-----|--|
|                            | A Ø | B   | C   |  |
| MPB-120                    | 120 | 140 | 110 | 7  |
| MPB-150                    | 150 | 170 | 120 | 7  |
| MPB-200                    | 200 | 220 | 120 | 7  |
| MPB-250                    | 250 | 220 | 130 | 7  |

DETALLE BASE

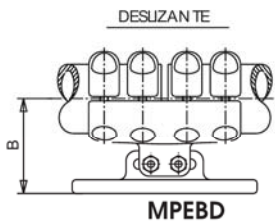


TIPO AISLADOR

| D Ø | E Ø | F Ø |
|-----|-----|-----|
| 158 | 127 | 18  |
| 265 | 225 | 18  |
| 305 | 254 | 18  |

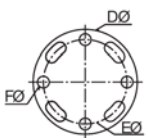
SUPPORT FIX/SLIDING FOR UNION TUBES ON INSULATOR

ПОДВИЖНОЕ ИЛИ НЕПОДВИЖНОЕ КРЕПЛЕНИЕ ДЛЯ ТРУБ, ЗАКРЕПЛЁННОЕ НА ИЗОЛЯТОРЕ



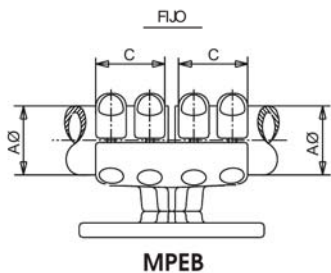
| Referencia<br>Code<br>Шифр | mm. |     |     | Par de apriete<br>Tightening torque<br>Момент затяжки<br>(kg.m)<br>A |
|----------------------------|-----|-----|-----|--|
|                            | A Ø | B   | C   |  |
| MPEBD/ MPEB-50             | 50  | 100 | 100 | 5  |
| MPEBD/ MPEB-60             | 60  | 100 | 100 | 5  |
| MPEBD/ MPEB-80             | 80  | 105 | 100 | 5  |
| MPEBD/ MPEB-100            | 100 | 105 | 100 | 5  |
| MPEBD/ MPEB-120            | 120 | 140 | 110 | 7  |
| MPEBD/ MPEB-150            | 150 | 170 | 120 | 7  |
| MPEBD/ MPEB-200            | 200 | 220 | 130 | 7  |
| MPEBD/ MPEB-250            | 250 | 220 | 130 | 7  |

DETALLE BASE



TIPO AISLADOR

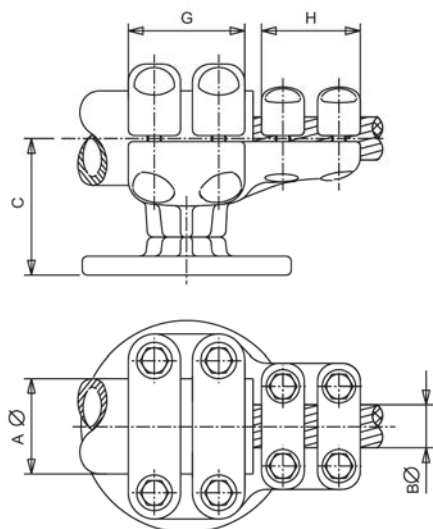
| D Ø | E Ø | F Ø |
|-----|-----|-----|
| 108 | 76  | 14  |
| 158 | 127 | 18  |
| 265 | 225 | 18  |
| 265 | 254 | 18  |



## CONNECTOR UNION TUBE TO CABLE ON INSULATOR

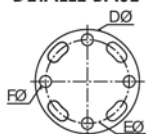
ЗАЖИМ ДЛЯ СОЕДИНЕНИЯ ТРУБЫ И ПРОВОДА, ЗАКРЕПЛЁННЫЙ НА

ИЗОЛЯТОРЕ



MPEBC

DETALLE BASE



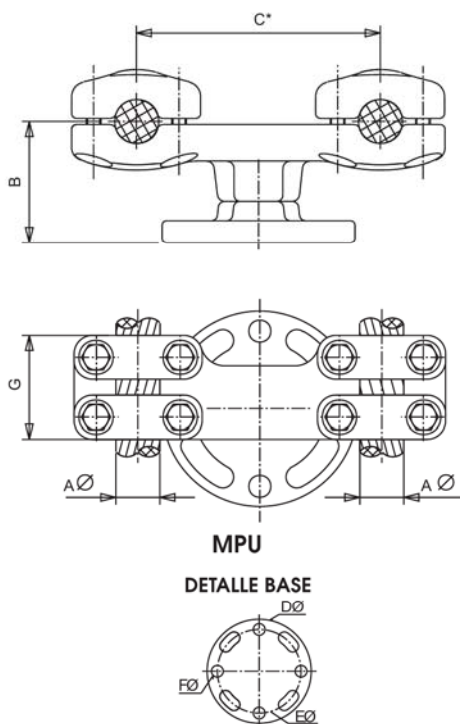
TIPO AISLADOR

| Dø  | Eø  | Fø |
|-----|-----|----|
| 108 | 76  | 14 |
| 158 | 127 | 18 |
| 265 | 225 | 18 |

| Referencia<br>Code<br>Шифр | mm. |       |     |     |    | Par de apriete<br>Tightening torque<br>Момент затяжки<br>(kg.m) |   |
|----------------------------|-----|-------|-----|-----|----|---|---|
|                            | Aø  | Bø    | C   | G   | H  | A   | B |
| MPEBC-5022                 | 50  | 20-22 | 100 | 100 | 85 | 5   | 3 |
| MPEBC-5025                 | 50  | 24-26 | 100 | 100 | 85 | 5   | 3 |
| MPEBC-5030                 | 50  | 28-30 | 100 | 100 | 85 | 5   | 3 |
| MPEBC-6022                 | 60  | 20-22 | 100 | 100 | 85 | 5   | 3 |
| MPEBC-6025                 | 60  | 24-26 | 100 | 100 | 85 | 5   | 3 |
| MPEBC-6030                 | 60  | 28-30 | 100 | 100 | 85 | 5   | 3 |
| MPEBC-8022                 | 80  | 20-22 | 105 | 100 | 85 | 5   | 3 |
| MPEBC-8025                 | 80  | 24-26 | 105 | 100 | 85 | 5   | 3 |
| MPEBC-8030                 | 80  | 28-30 | 105 | 100 | 85 | 5   | 3 |
| MPEBC-10030                | 100 | 28-30 | 105 | 100 | 90 | 5   | 3 |
| MPEBC-10032                | 100 | 31-32 | 105 | 100 | 90 | 5   | 5 |
| MPEBC-10035                | 100 | 33-35 | 105 | 100 | 90 | 5   | 5 |
| MPEBC-12030                | 120 | 28-30 | 140 | 110 | 90 | 5   | 5 |
| MPEBC-12032                | 120 | 31-32 | 140 | 110 | 90 | 5   | 5 |
| MPEBC-12035                | 120 | 33-35 | 140 | 110 | 90 | 5   | 5 |
| MPEBC-15032                | 150 | 31-35 | 170 | 120 | 90 | 5   | 5 |
| MPEBC-15035                | 150 | 33-35 | 170 | 120 | 90 | 5   | 5 |
| MPEBC-15038                | 150 | 36-38 | 170 | 120 | 90 | 5   | 5 |
| MPEBC-15043                | 150 | 40-43 | 170 | 120 | 90 | 5   | 5 |

## DUPLEX CABLES CONNECTOR ON INSULATOR

ЗАЖИМ ДЛЯ ДВУХ ПРОВОДОВ ,ЗАКРЕПЛЁННЫЙ НА ИЗОЛЯТОРЕ



MPU

DETALLE BASE



| Referencia<br>Code<br>Шифр | mm.   |     |            |    | Par de apriete<br>Tightening torque<br>Момент затяжки<br>(kg.m) |
|----------------------------|-------|-----|------------|----|---|
|                            | Aø    | B   | C*         | G  |   |
| MPU.*-22                   | 20-22 | 100 | SEGUN NOTA | 85 | 3   |
| MPU.*-25                   | 24-26 | 100 |            | 85 | 3   |
| MPU.*-30                   | 28-30 | 100 |            | 85 | 3   |
| MPU.*-32                   | 31-32 | 100 |            | 90 | 5   |
| MPU.*-35                   | 33-35 | 100 |            | 90 | 5   |
| MPU.*-38                   | 36-38 | 100 |            | 90 | 5   |
| MPU.*-43                   | 40-43 | 100 |            | 90 | 5   |

TIPO AISLADOR

| Dø  | Eø  | Fø |
|-----|-----|----|
| 108 | 76  | 14 |
| 158 | 127 | 18 |
| 265 | 225 | 18 |

NOTA

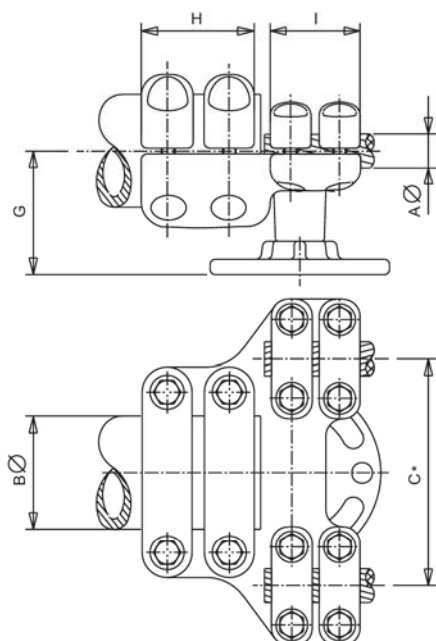
- C\*
- 1 = 100mm.
  - 15 = 150mm.
  - 2 = 200mm.
  - 3 = 300mm.
  - 33 = 330mm.
  - 4 = 400mm.
  - 45 = 450mm.



## STRAIGHT CONNECTOR UNION TUBE TO DUPLEX CABLE ON INSULATOR

ПРЯМОЕ СОЕДИНЕНИЕ ДЛЯ СДВОЕННОГО ПРОВОДА И ТРУБЫ, ЗАКРЕПЛЁННОЕ НА

ИЗОЛЯТОРЕ



MPDUB

NOTA

- C\*
- 1 = 100mm.
  - 15 = 150mm.
  - 2 = 200mm.
  - 3 = 300mm.
  - 33 = 330mm.
  - 4 = 400mm.
  - 45 = 450mm.

DETALLE BASE



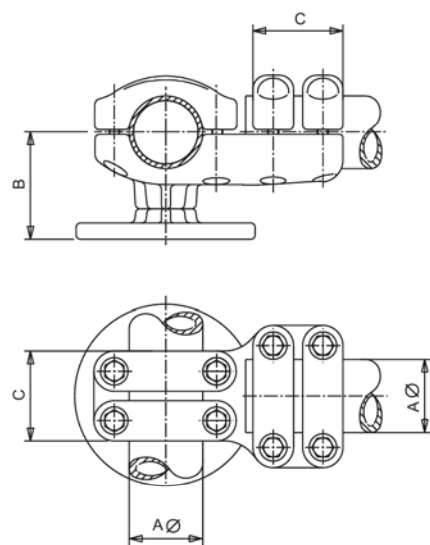
| Referencia<br>Code<br>Шифр | mm.   |     |            |     |     |    | Par de apriete<br>Tightening torque<br>Момент затяжки<br>(kg.m) |   |
|----------------------------|-------|-----|------------|-----|-----|----|---|---|
|                            | AØ    | BØ  | C*         | G   | H   | I  | A   | B |
|                            |       |     |            |     |     |    |   |   |
| MPDUB.*-8030               | 28-30 | 80  | SEGUN NOTA | 105 | 100 | 90 | 3   | 5 |
| MPDUB.*-8032               | 31-32 | 80  |            | 105 | 100 | 90 | 5   | 5 |
| MPDUB.*-8035               | 33-35 | 80  |            | 105 | 100 | 90 | 5   | 5 |
| MPDUB.*-8038               | 36-38 | 80  |            | 105 | 100 | 90 | 5   | 5 |
| MPDUB.*-8043               | 40-43 | 80  |            | 105 | 100 | 90 | 5   | 5 |
| MPDUB.*-10030              | 28-30 | 100 |            | 105 | 100 | 90 | 3   | 5 |
| MPDUB.*-10032              | 31-32 | 100 |            | 105 | 100 | 90 | 5   | 5 |
| MPDUB.*-10035              | 33-35 | 100 |            | 105 | 100 | 90 | 5   | 5 |
| MPDUB.*-10038              | 36-38 | 100 |            | 105 | 100 | 90 | 5   | 5 |
| MPDUB.*-10043              | 40-43 | 100 |            | 105 | 100 | 90 | 5   | 5 |
| MPDUB.*-12030              | 28-30 | 120 |            | 140 | 110 | 90 | 5   | 7 |
| MPDUB.*-12032              | 31-32 | 120 |            | 140 | 110 | 90 | 5   | 7 |
| MPDUB.*-12035              | 33-35 | 120 |            | 140 | 110 | 90 | 5   | 7 |
| MPDUB.*-12038              | 36-38 | 120 |            | 140 | 110 | 90 | 5   | 7 |
| MPDUB.*-12043              | 40-43 | 120 |            | 140 | 110 | 90 | 5   | 7 |
| MPDUB.*-15032              | 31-32 | 150 |            | 170 | 120 | 90 | 5   | 7 |
| MPDUB.*-15035              | 33-35 | 150 |            | 170 | 120 | 90 | 5   | 7 |
| MPDUB.*-15038              | 36-38 | 150 |            | 170 | 120 | 90 | 5   | 7 |
| MPDUB.*-15043              | 40-43 | 150 | 170        | 120 | 90  | 5  | 7   |   |

TIPO AISLADOR

| DØ  | EØ  | FØ |
|-----|-----|----|
| 108 | 76  | 14 |
| 158 | 127 | 18 |
| 265 | 225 | 18 |

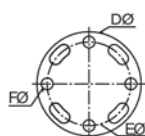
## T CONNECTOR FOR TUBES (HORIZONTAL) ON INSULATOR

Т-ОБРАЗНЫЙ ЗАЖИМ ДЛЯ ТРУБ(ГОРИЗОНТАЛЬНЫХ), ЗАКРЕПЛЁННЫЙ НА ИЗОЛЯТОРЕ



MPDDB

DETALLE BASE



| Referencia<br>Code<br>Шифр | mm. |     |     | Par de apriete<br>Tightening torque<br>Момент затяжки<br>(kg.m) |  |
|----------------------------|-----|-----|-----|---|--|
|                            | AØ  | B   | C   |   |  |
|                            |     |     |     | A   |  |
| MPDDB-5050                 | 50  | 100 | 100 | 5   |  |
| MPDDB-6060                 | 60  | 100 | 100 | 5   |  |
| MPDDB-8080                 | 80  | 105 | 100 | 5   |  |
| MPDDB-100100               | 100 | 105 | 100 | 5   |  |
| MPDDB-120120               | 120 | 140 | 110 | 7   |  |
| MPDDB-150150               | 150 | 170 | 120 | 7   |  |

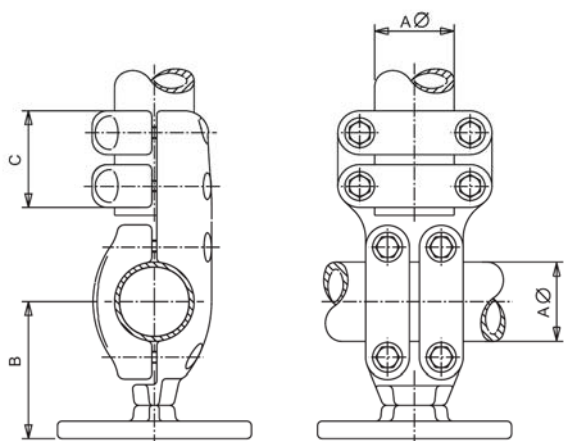
TIPO AISLADOR

| DØ  | EØ  | FØ |
|-----|-----|----|
| 108 | 76  | 14 |
| 158 | 127 | 18 |
| 265 | 225 | 18 |



### T CONNECTOR FOR TUBES (VERTICAL) ON INSULATOR

Т-ОБРАЗНЫЙ ЗАЖИМ ДЛЯ ТРУБ(ВЕРТИКАЛЬНЫХ),ЗАКРЕПЛЁННЫЙ НА ИЗОЛЯТОРЕ



MPTBB

DETALLE BASE



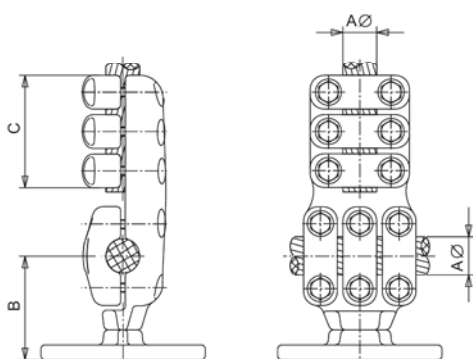
| Referencia<br>Code<br>Шифр | mm. |     |     | Par de apriete<br>Tightening torque<br>Момент затяжки<br>(kg.m) |
|----------------------------|-----|-----|-----|---|
|                            | Aø  | B   | C   |   |
| MPTBB-5050                 | 50  | 100 | 100 | 5   |
| MPTBB-6060                 | 60  | 100 | 100 | 5   |
| MPTBB-8080                 | 80  | 105 | 100 | 5   |
| MPTBB-100100               | 100 | 105 | 100 | 5   |
| MPTBB-120120               | 120 | 140 | 110 | 7   |
| MPTBB-150150               | 150 | 170 | 120 | 7   |

TIPO AISLADOR

| Dø  | Eø  | Fø |
|-----|-----|----|
| 108 | 76  | 14 |
| 158 | 127 | 18 |
| 265 | 225 | 18 |

### T CONNECTOR FOR CABLES (VERTICAL) ON INSULATOR

Т-ОБРАЗНЫЙ ЗАЖИМ ДЛЯ ПРОВОДОВ(ВЕРТИКАЛЬНЫХ),ЗАКРЕПЛЁННЫЙ НА ИЗОЛЯТОРЕ



MPDCC3

DETALLE BASE



| Referencia<br>Code<br>Шифр | mm.   |     |     | Par de apriete<br>Tightening torque<br>Момент затяжки<br>(kg.m) |
|----------------------------|-------|-----|-----|---|
|                            | Aø    | B   | C   |   |
| MPDCC3-3030                | 28-30 | 100 | 138 | 3   |
| MPDCC3-3232                | 31-32 | 100 | 138 | 5   |
| MPDCC3-3535                | 33-35 | 100 | 138 | 5   |
| MPDCC3-3838                | 36-38 | 100 | 138 | 5   |
| MPDCC3-4343                | 40-43 | 100 | 138 | 5   |

TIPO AISLADOR

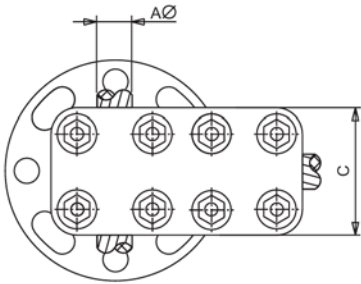
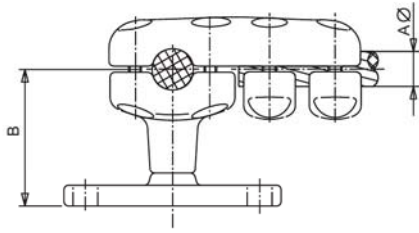
| Dø  | Eø  | Fø |
|-----|-----|----|
| 108 | 76  | 14 |
| 158 | 127 | 18 |
| 265 | 225 | 18 |



T CONNECTOR FOR CABLES (HORIZONTAL) ON INSULATOR

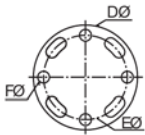
Т-ОБРАЗНЫЙ ЗАЖИМ ДЛЯ ПРОВОДОВ(ГОРИЗОНТАЛЬНЫХ),ЗАКРЕПЛЁННЫЙ НА

ИЗОЛЯТОРЕ



MPDCC

DETALLE BASE



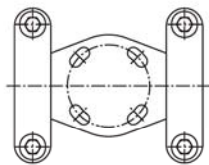
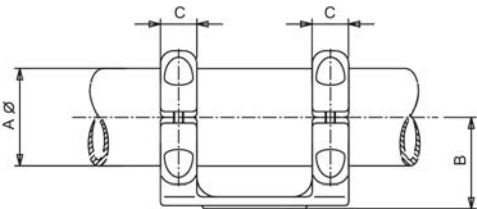
| Referencia<br>Code<br>Шифр | mm.   |     |     | Par de apriete<br>Tightening torque<br>Момент затяжки<br>(kg.m) |
|----------------------------|-------|-----|-----|---|
|                            | A∅    | B   | C   | A∅  |
| MPDCC-2222                 | 20-23 | 100 | 92  | 3   |
| MPDCC-2525                 | 24-26 | 100 | 92  | 3   |
| MPDCC-3030                 | 27-30 | 100 | 92  | 3   |
| MPDCC-3232                 | 31-32 | 100 | 107 | 5   |
| MPDCC-3535                 | 33-35 | 100 | 107 | 5   |
| MPDCC-3838                 | 36-38 | 100 | 107 | 5   |
| MPDCC-4343                 | 40-43 | 100 | 107 | 5   |

TIPO AISLADOR

| D∅  | E∅  | F∅ |
|-----|-----|----|
| 108 | 76  | 14 |
| 158 | 127 | 18 |
| 265 | 225 | 18 |

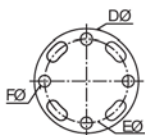
UNION SUPPORT FOR TUBES ON INSULATOR

УЗЕЛ КРЕПЛЕНИЯ ДЛЯ ТРУБ,ЗАКРЕПЛЁННЫЙ НА ИЗОЛЯТОРЕ



MPEBI

DETALLE BASE



| Referencia<br>Code<br>Шифр | mm. |     |    | Par de apriete<br>Tightening torque<br>Момент затяжки<br>(kg.m) |
|----------------------------|-----|-----|----|---|
|                            | A∅  | B   | C  | A∅  |
| MPEBI-80                   | 80  | 105 | 48 | 5   |
| MPEBI-100                  | 100 | 105 | 48 | 5   |
| MPEBI-120                  | 120 | 140 | 56 | 7   |
| MPEBI-150                  | 150 | 170 | 56 | 7   |

TIPO AISLADOR

| D∅  | E∅  | F∅ |
|-----|-----|----|
| 108 | 76  | 14 |
| 158 | 127 | 18 |
| 265 | 225 | 18 |





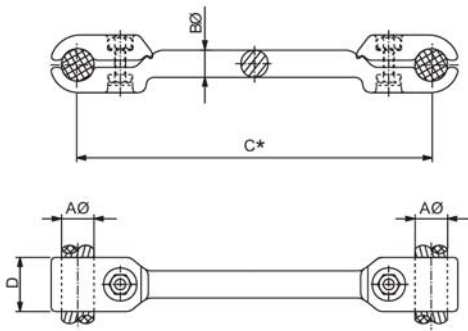
*FIXED POINTS AND EARTH CLAMPING DEVICE*  
**НЕПОДВИЖНЫЕ КОНТАКТЫ**





## DUPLEX CABLES SPACER

### РАСПОРКА ДЛЯ СДВОЕННОГО ПРОВОДА



MUPF

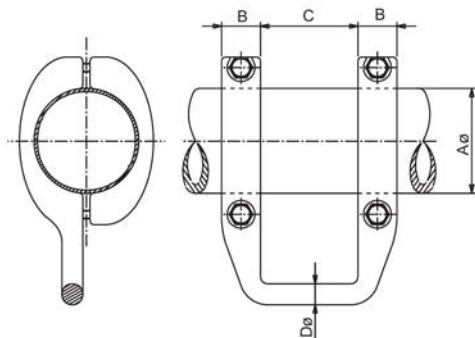
#### NOTA

- C\*
- 2 = 200mm.
  - 3 = 300mm.
  - 33 = 330mm.
  - 4 = 400mm.
  - 45 = 450mm.

| Referencia<br>Code<br>Шифр | mm.   |    |            |    | Par de apriete<br>Tightening torque<br>Момент затяжки<br>(kg.m) |
|----------------------------|-------|----|------------|----|---|
|                            | Aø    | B  | C*         | D  |   |
| MUPF.*-30                  | 28-30 | 30 | SEGUN NOTA | 55 | 5   |
| MUPF.*-32                  | 31-32 | 30 |            | 55 | 5   |
| MUPF.*-35                  | 33-35 | 30 |            | 55 | 5   |
| MUPF.*-38                  | 36-38 | 30 |            | 55 | 5   |
| MUPF.*-43                  | 40-43 | 30 |            | 55 | 5   |

## PHASE FIX POINT FOR TUBE

### ФАЗНЫЕ НЕПОДВИЖНЫЕ КОНТАКТЫ ДЛЯ ТРУБЫ

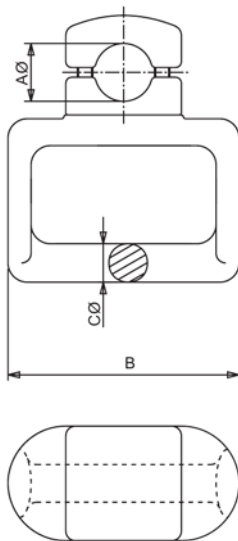


MPFB

| Referencia<br>Code<br>Шифр | mm. |    |     |    | Par de apriete<br>Tightening torque<br>Момент затяжки<br>(kg.m) |
|----------------------------|-----|----|-----|----|---|
|                            | Aø  | B  | C   | Dø |   |
| MPFB-80                    | 80  | 44 | 140 | 30 | 5   |
| MPFB-100                   | 100 | 44 | 140 | 30 | 5   |
| MPFB-120                   | 120 | 60 | 140 | 30 | 5   |
| MPFB-150                   | 150 | 60 | 140 | 30 | 5   |
| MPFB-200                   | 200 | 60 | 140 | 30 | 7   |
| MPFB-250                   | 250 | 60 | 140 | 30 | 7   |

## ABUTMENT FIX POINT FOR TUBE OR CABLE

### ОПОРНЫЕ НЕПОДВИЖНЫЕ КОНТАКТЫ ДЛЯ ТРУБЫ ИЛИ ПРОВОДА



MPFE

| Referencia<br>Code<br>Шифр | mm.   |     |    | Par de apriete<br>Tightening torque<br>Момент затяжки<br>(kg.m) |
|----------------------------|-------|-----|----|---|
|                            | Aø    | B   | Cø |   |
| MPFE-22/30                 | 22-30 | 117 | 20 | 2   |
| MPFE-40                    | 40    | 117 | 20 | 5   |
| MPFE-50                    | 50    | 117 | 20 | 5   |
| MPFE-60                    | 60    | 117 | 20 | 5   |
| MPFE-80                    | 80    | 117 | 20 | 5   |
| MPFE-100                   | 100   | 117 | 20 | 5   |





GPT



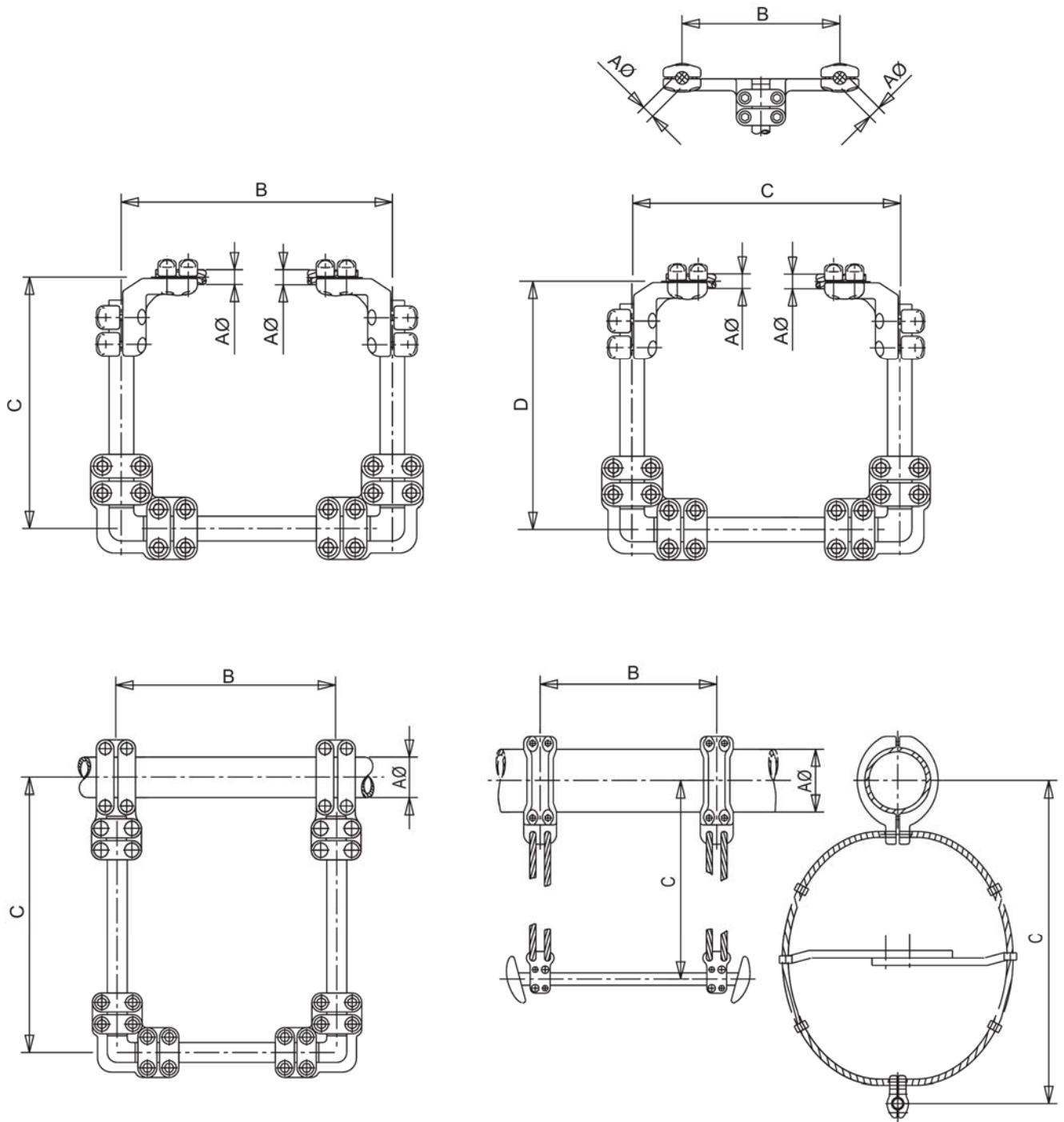
*COUNTERCONTACTS/PANTOGRAPH*

НЕПОДВИЖНЫЙ КОНТАКТ

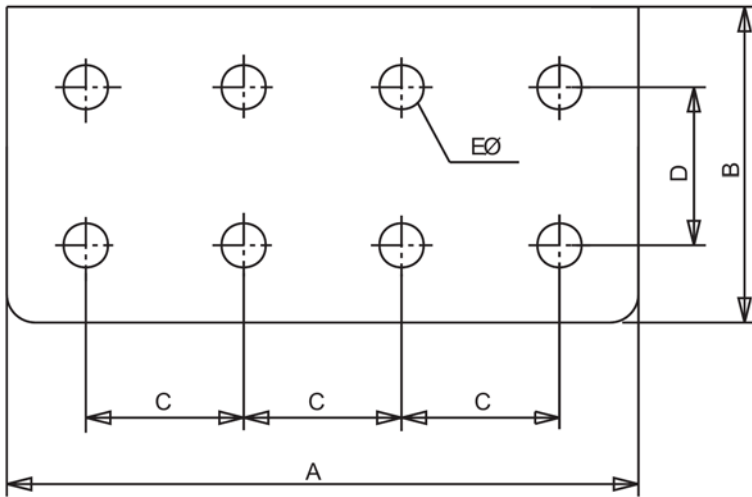
ПАНТОГРАФИЧЕСКОГО РАЗЪЕДИНИТЕЛЯ



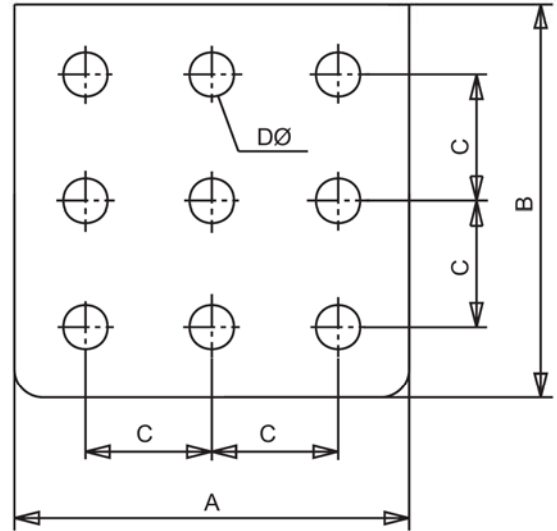
COUNTERCONTACTS  
ВСТРЕЧНЫЕ КОНТАКТЫ



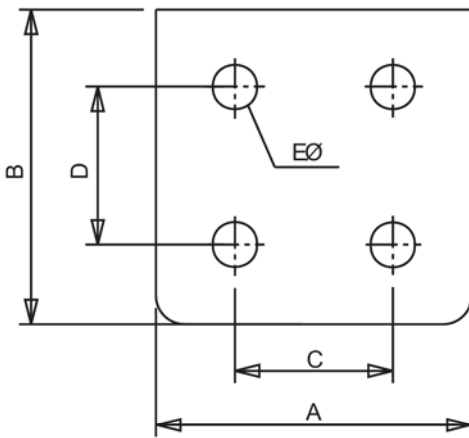
TIPO 1



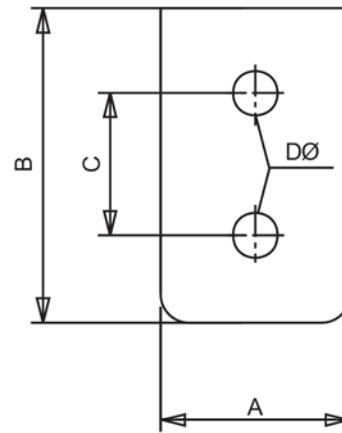
TIPO 2



TIPO 3



TIPO 4



TIPO 5

